

**Features**

- Solid brass construction
- ADA compliant contemporary lever handles
- 7-3/8" (18.7 cm) spout reach (wall-to-center)
- 1/2" NPT spout inlet fitting
- Intended for use with Newport Brass rough valve as specified (Required Accessory)
- Rough valve incorporates a brass valve body assembly
- Rough valve incorporates quarter-turn washerless ceramic disc valve cartridges

**Codes / Standards Compliance**

Meets or exceeds the following at date of manufacture:

- ASME A112.18.1/CSA B125.1
- IAPMO/cUPC
- NSF 61
- IPC
- ADA
- ICC/ANSI A117.1
- Energy Policy Act of 1992
- All applicable US Federal and State material regulations
- EPA Watersense

**Wall-Mounted Lavatory Faucet**  
**3-2031**



**Colors / Finishes**

- 10B: Oil Rubbed Bronze
- 15: Polished Nickel
- 15S: Satin Nickel - PVD
- 26: Polished Chrome
- Other: Refer to the Newport Brass catalog for additional color/finish options.

**Specified Model**

Model	Description	Colors   Finishes
3-2031	Wall-Mounted Lavatory Faucet	<input type="checkbox"/> 10B <input type="checkbox"/> 15 <input type="checkbox"/> 15S <input type="checkbox"/> 26 <input type="checkbox"/> Other

Application	Wall Lavatory Valve
Description	2-Cartridge Assembly
Inlet/Outlet	1/2"
Part Number	1-532T
Image	

**Product Specification** Add "Color / Finish" suffix to Model number, below.

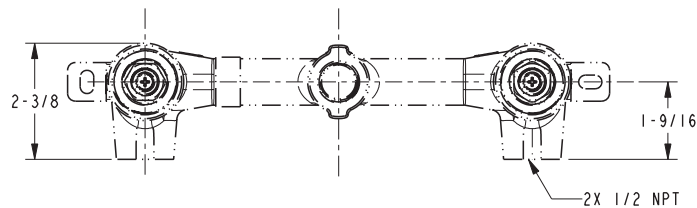
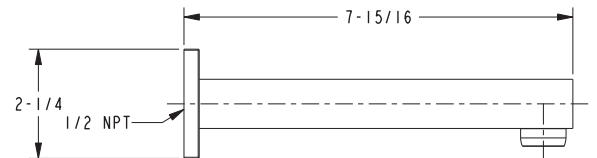
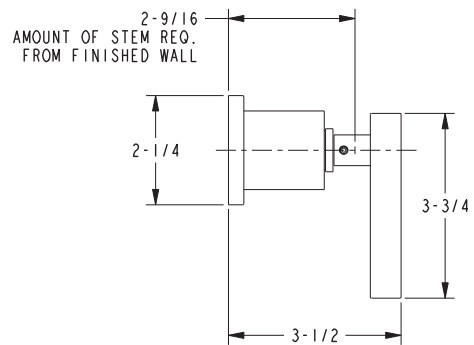
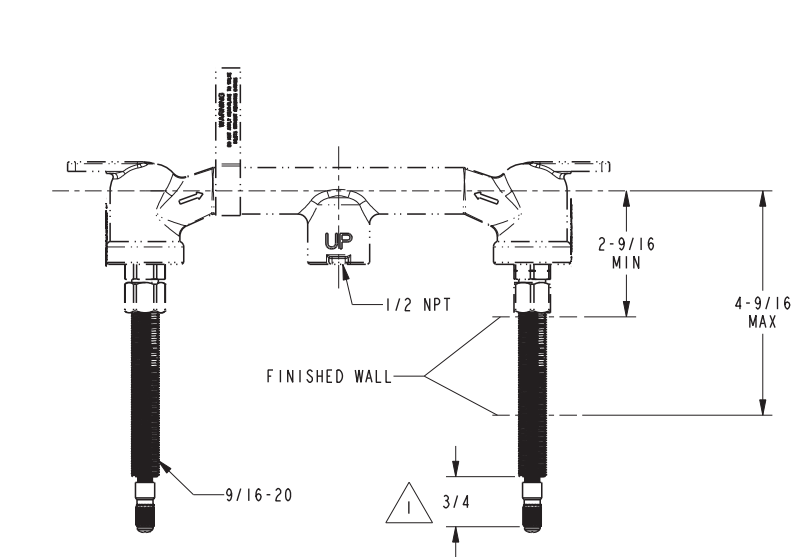
The Wall-Mounted Lavatory Faucet shall be made of solid brass construction. Wall-Mounted Lavatory Faucet shall incorporate ADA compliant lever handles and a 7-3/8" (18.7 cm) spout (wall-to-center) that incorporates a 1/2" NPT inlet fitting. Rough valve shall incorporate a brass valve body assembly and quarter-turn washerless ceramic disc valve cartridges. Wall-Mounted Lavatory Faucet shall be Newport Brass Model 3-2031/\_\_\_\_\_ and Newport Brass rough valve shall be 1-532T.

# 3-2031

## PRODUCT DIMENSIONS *(Units are in inches)*

NOTES:

1. CUT ALL THREAD 3/4" SHORTER THAN STEM.



### Cube 2 Wall-Mounted Lavatory Faucet 3-2031