

**Features**

- Solid brass construction
- Forged brass body with top-mounted handle
- Euro-motion ceramic disc 35 mm valve cartridge
- ADA compliant traditional lever handle
- Spout assembly with integral supply hoses
- Pop-up drain with tailpiece
- 4-9/16" (11.6 cm) spout height at outlet
- 6-3/16" (15.7 cm) spout reach (c-c)
- For single hole configurations
- 1.2 gallons (4.5 liters) per minute maximum flow rate

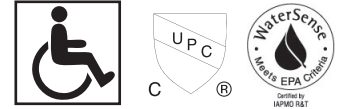
**Codes / Standards Compliance**

Meets or exceeds the following at date of manufacture:

- ASME A112.18.1/CSA B125.1
- IAPMO/cUPC
- IPC
- NSF 61
- ADA
- ICC/ANSI A117.1
- Energy Policy Act of 1992
- All applicable US Federal and State material regulations
- EPA Watersens

**Single Handle Lavatory Faucet**

**9203**



**Colors / Finishes**

- 10B: Oil Rubbed Bronze
- 15: Polished Nickel
- 15S: Satin Nickel - PVD
- 26: Polished Chrome
- Other: Refer to the Newport Brass catalog for additional color/finish options.

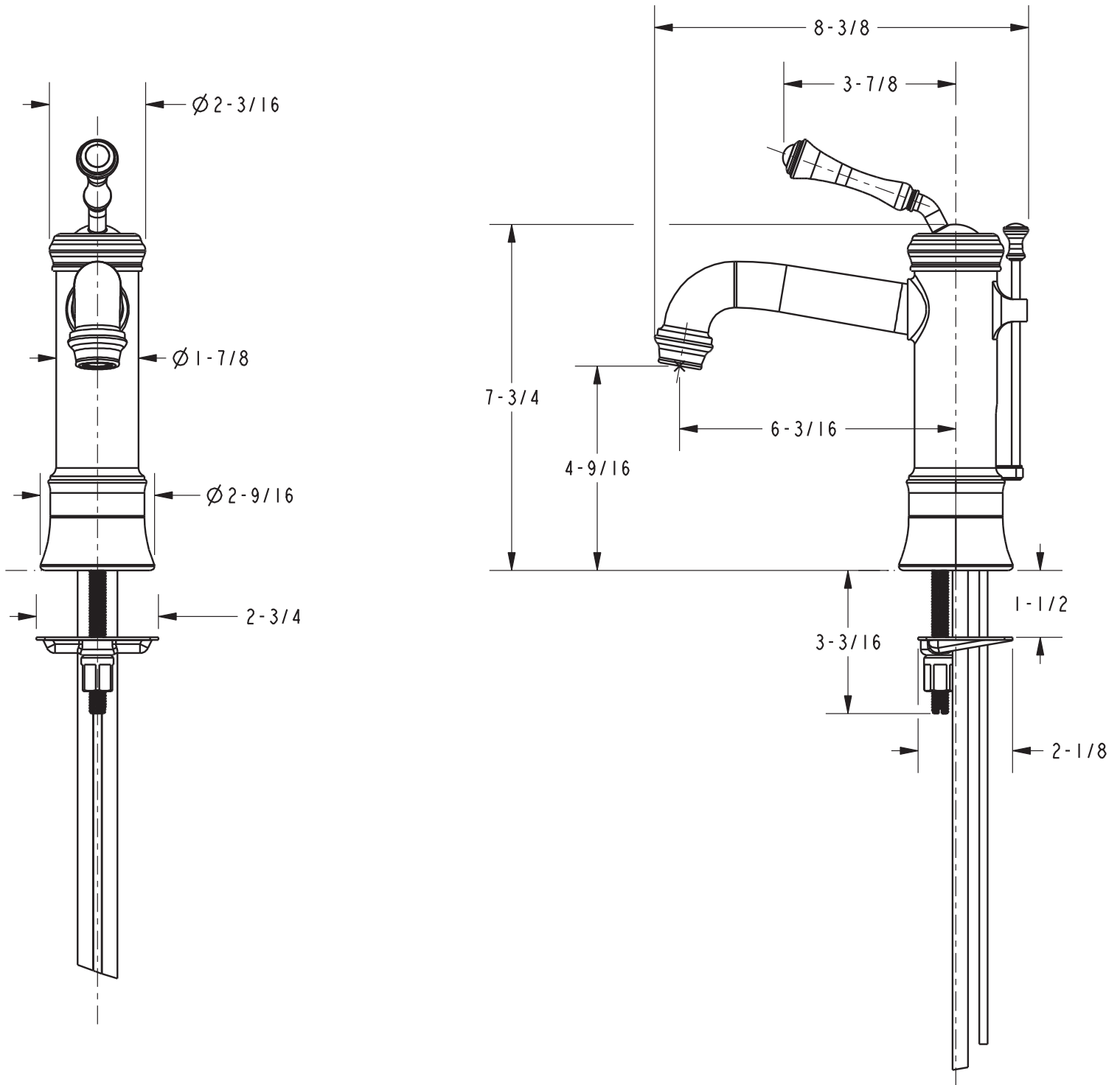
**Specified Model**

| Model | Description                   | Colors   Finishes  |
|-------|-------------------------------|--|
| 9203  | Single Handle Lavatory Faucet | <input type="checkbox"/> 10B <input type="checkbox"/> 15 <input type="checkbox"/> 15S <input type="checkbox"/> 26 <input type="checkbox"/> Other |

**Product Specification:**

The Single Handle Lavatory Faucet shall be made of solid brass construction. Faucet shall feature a forged brass body with top-mounted Euro-motion ceramic disc 35 mm valve cartridge. Faucet shall have a 1.2 gallons (4.5 liters) per minute maximum flow rate. Product shall accommodate single hole configurations. Product shall incorporate a 4-9/16" (11.6 cm) spout height at outlet and a 6-3/16" (15.7 cm) spout reach (c-c). Faucet shall include a pop-up drain with tailpiece and incorporate ADA compliant traditional lever handles. Single Handle Lavatory Faucet shall be Newport Brass Model 9203/\_\_\_\_.

**9203**



**Astor Single Handle Lavatory Faucet**

**9203**