

# MALVINA

## Toilet Tissue Holder **43-28**

### Features

- Solid brass construction
- Double-post design with spring-loaded roller
- Complements Malvina product series

### Codes / Standards Compliance

Meets or exceeds the following at date of manufacture:

- All applicable US Federal and State material regulations



### Colors / Finishes

- 10B: Oil Rubbed Bronze
- 15: Polished Nickel
- 15S: Satin Nickel - PVD
- 26: Polished Chrome
- Other: Refer to the Newport Brass catalog for additional color/finish options.

### Specified Model

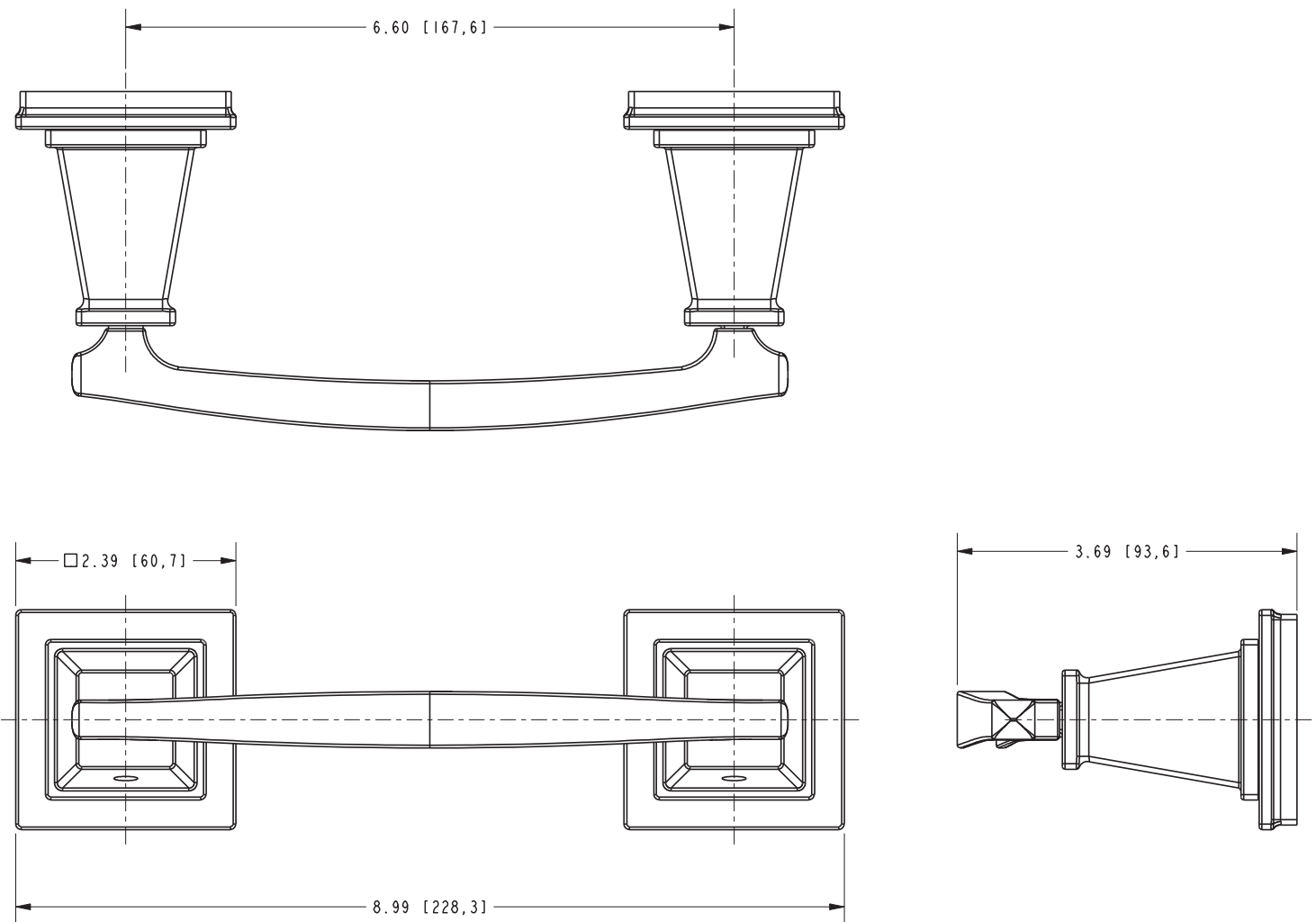
Model	Description	Colors   Finishes
43-28	Toilet Tissue Holder	<input type="checkbox"/> 10B <input type="checkbox"/> 15 <input type="checkbox"/> 15S <input type="checkbox"/> 26 <input type="checkbox"/> Other

### Product Specification: Add "Color / Finish" suffix to Model number, below.

The Toilet Tissue Holder shall be made of solid brass construction and incorporate a double-post, spring-loaded roller design. Toilet Tissue Holder shall complement Newport Brass Malvina product series. Toilet Tissue Holder shall be Newport Brass Model 43-28/\_\_\_\_\_.

# 43-28

## PRODUCT DIMENSIONS *(Units are in inches)*



**Malvina Toilet Tissue Holder**  
**43-28**