

Robe Hook
40-13

Features

- Solid brass construction
- Complements Vander product series

Codes / Standards Compliance

Meets or exceeds the following at date of manufacture:

- All applicable US Federal and State material regulations

Colors / Finishes

- 10B: Oil Rubbed Bronze
- 15: Polished Nickel
- 15S: Satin Nickel - PVD
- 26: Polished Chrome
- Other: Refer to the Newport Brass catalog for additional color/finish options.



Specified Model

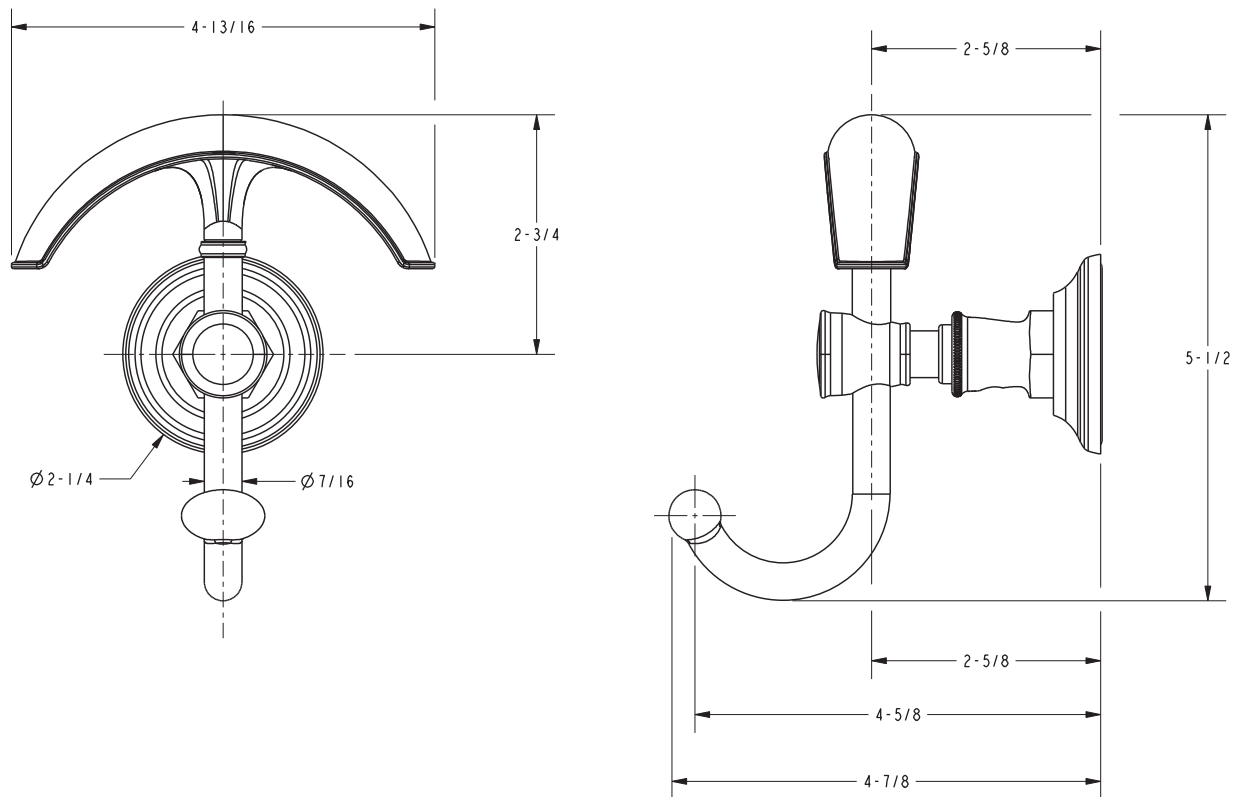
Model	Description	Colors Finishes
40-13	Robe Hook	<input type="checkbox"/> 10B <input type="checkbox"/> 15 <input type="checkbox"/> 15S <input type="checkbox"/> 26 <input type="checkbox"/> Other

Product Specification Add "Color / Finish" suffix to Model number, below.

The Robe Hook shall be made of solid brass construction. Robe Hook shall complement Newport Brass Vander product series. Robe Hook shall be Newport Brass Model 40-13/_____.

40-13

PRODUCT DIMENSIONS *(Units are in inches)*



Vander Towel Ring 40-13