

Cold Water Dispenser
3210-5623

Features

- Solid brass construction
- Quarter-turn washerless ceramic disc valve cartridge
- ADA compliant contemporary cold lever handle
- Spout assembly with integral supply hoses
- 6-5/8" (16.8 cm) spout height at outlet
- 4-3/4" (12.1 cm) spout reach (c-c)
- For single hole configurations
- 1 gallon (3.6 liters) per minute maximum flow rate*

A Water Dispenser flow rate of approximately 1 gpm or less is typical but will vary depending on installation specific factors including in-line water pressure and water filtration system.

Codes / Standards Compliance

Meets or exceeds the following at date of manufacture:

- ASME A112.18.1/CSA B125.1
- IAPMO/cUPC
- IPC
- NSF 61
- NSF 372
- ADA (Handle Only)
- Energy Policy Act of 1992
- All applicable US Federal and State material regulations

Colors / Finishes

- 10B: Oil Rubbed Bronze
- 15: Polished Nickel
- 15S: Satin Nickel - PVD
- 26: Polished Chrome
- Other: Refer to the Newport Brass catalog for additional color/finish options.



Specified Model

Model	Description	Colors Finishes
3210-5623	Cold Water Dispenser	<input type="checkbox"/> 10B <input type="checkbox"/> 15 <input type="checkbox"/> 15S <input type="checkbox"/> 26 <input type="checkbox"/> Other
20-276	Integrated Air Gap Base	N/A

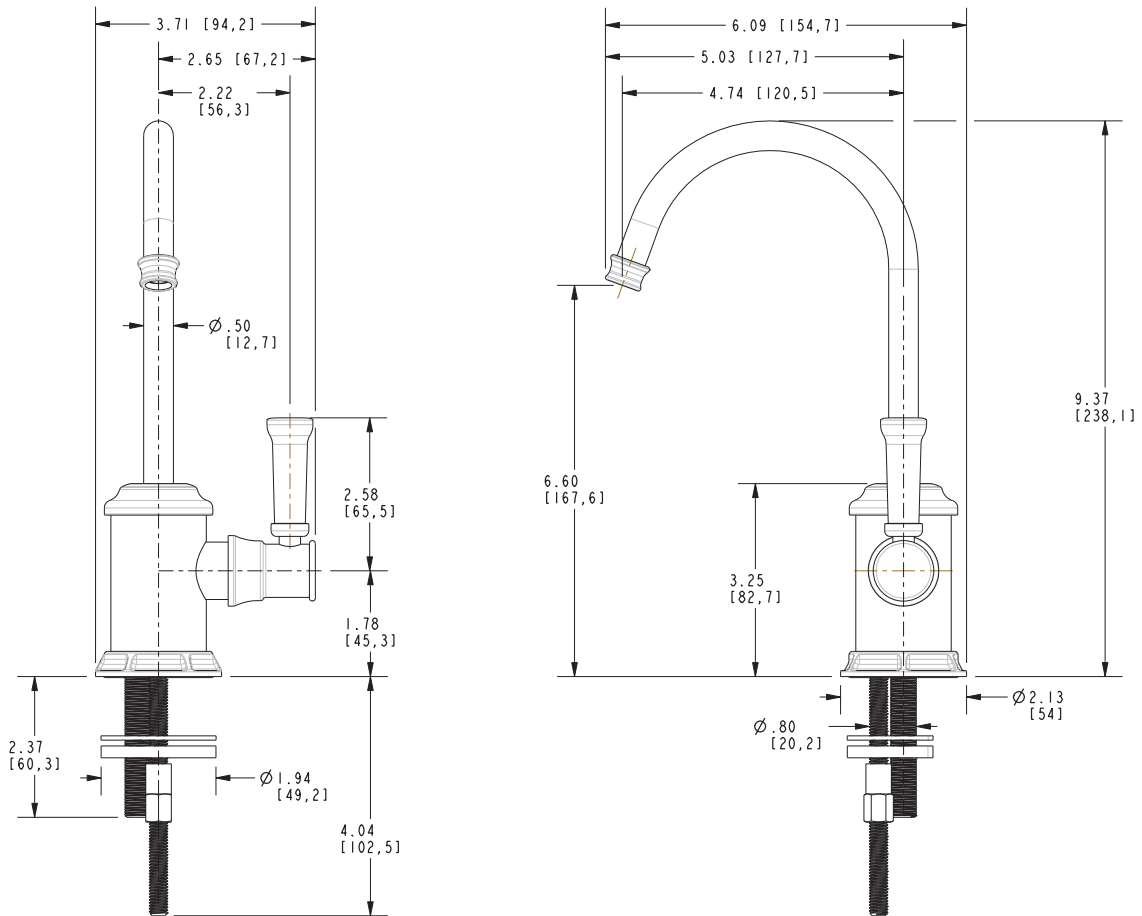
** The use of an air gap is required for dispenser faucets drawing from a reverse osmosis filtration system. The Integrated Air Gap Base (6-027) affords the functionality of a separate air gap within the design of the product as depicted. Failure to specify the Integrated Air Gap Base (20-276) will result in a product constructed using the standard base (no internal air gap).

Product Specification Add "Color / Finish" suffix to Model number, below.

The Cold Water Dispenser Faucet shall be made of solid brass construction. Faucet shall incorporate a spout assembly with integral supply hoses and feature a quarter-turn washerless ceramic disc valve cartridge. Faucet shall incorporate an ADA compliant contemporary cold lever handle design. Cold Water Dispenser Faucet shall have a 1 gallon (3.6 liters) per minute maximum flow rate and accommodate single hole configurations. Product shall incorporate a 6-5/8" (16.8 cm) spout height at outlet and a 4-3/4" (12.1 cm) spout reach (c-c). Cold Water Dispenser Faucet shall be Newport Brass Model 3210-5623/_____. [Integrated Air Gap Base shall be Newport Brass Model 20-276/_____].

3210-5623

PRODUCT DIMENSIONS *(Units are in inches)*



Gavin Cold Water Dispenser 3210-5623