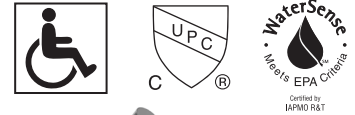


Features

- Solid brass construction
- 6.43" (16.3 cm) spout height at outlet
- 7.88" (20.0 cm) spout reach (c-c)
- Intended for use with Newport Brass rough valve kit (Required Accessory) which incorporates the following:
 - Brass valve bodies and quick-connect spout fitting
 - Quarter-turn washerless ceramic disc 3/4" valve cartridges
- Diverter valve and hoses as needed for handshower
- ADA Compliant
- 1.8 GPM (6.8 LPM) Max, Handshower Only

Roman Tub with Handshower Deck Trim

3-2927



Colors / Finishes

- 10B: Oil Rubbed Bronze
- 15: Polished Nickel
- 15S: Satin Nickel - PVD
- 26: Polished Chrome
- Other: Refer to the Newport Brass catalog for additional color/finish options.

Codes / Standards Compliance

Meets or exceeds the following at date of manufacture:

- ASME A112.18.1/CSA B125.1
- IAMPO/cUPC
- IPC
- ADA & ICC/ANSI A117.1
- Energy Policy Act of 1992
- EPA WaterSense
- California Energy Commission
- ASME A112.18.3 (Back Flow)
- All applicable US Federal and State material regulations

Specified Model

| Model | Description | Colors Finishes |
|--------|-------------------------------------|--|
| 3-2927 | Roman Tub with Handshower Deck Trim | <input type="checkbox"/> 10B <input type="checkbox"/> 15 <input type="checkbox"/> 15S <input type="checkbox"/> 26 <input type="checkbox"/> Other |

Required Accessory

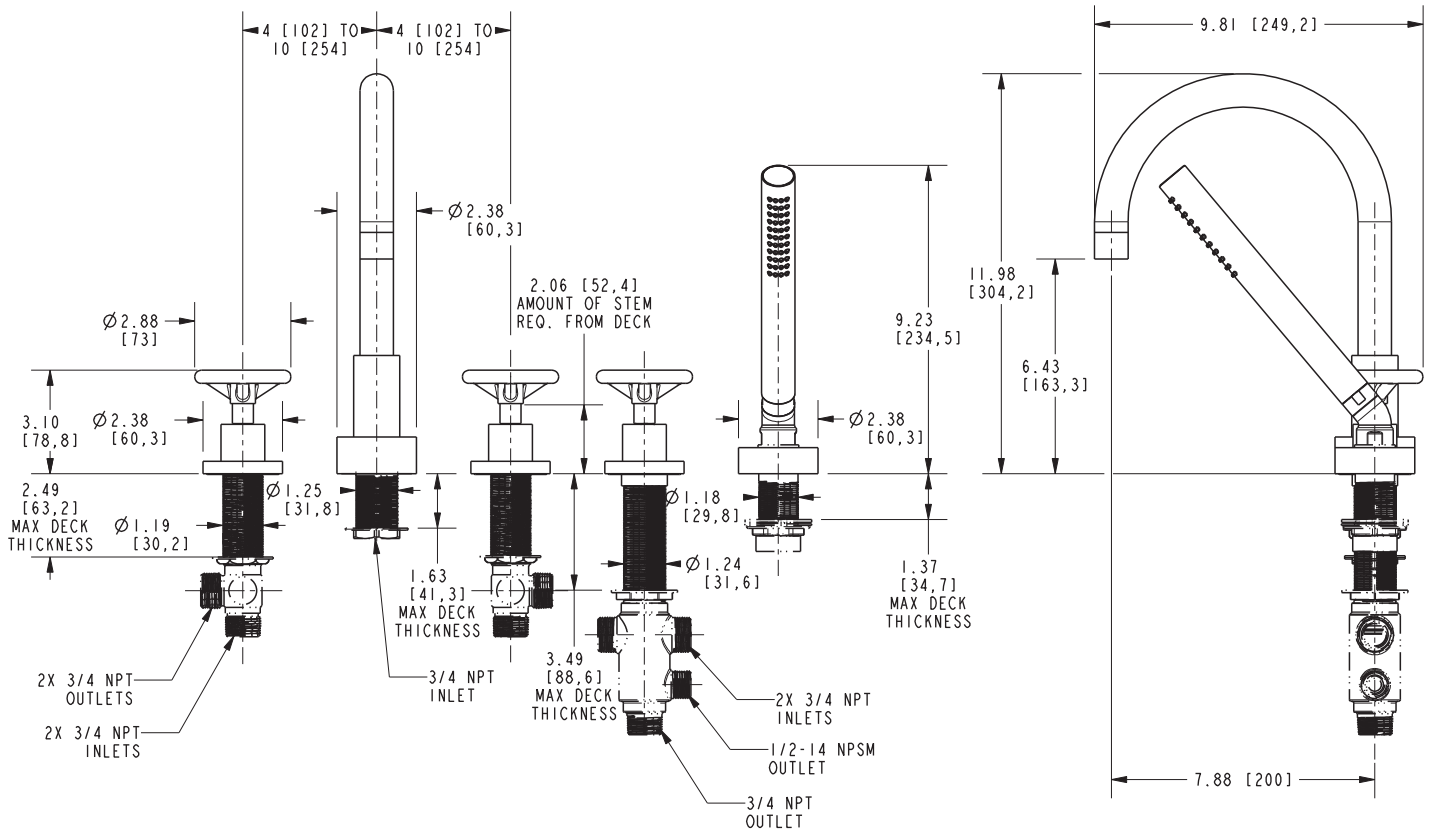
| | |
|--------------------------|---|
| System Element | Deck Tub Valve |
| Description | 3-Valve Assembly With Quick Connect Spout Adapter |
| Inlet/Outlet Size | 3/4" |
| Part Number | 1-503 |
| Image | |

Product Specification Add "Color / Finish" suffix to Model number, below.

The Roman Tub with Handshower Deck Trim shall be made of solid brass construction. Roman Tub with Handshower Deck Trim shall incorporate 3-spoke circular handles. Product shall incorporate a 6.43" (16.3 cm) spout height at outlet and a 7.88" (20.0 cm) spout reach (c-c). Product shall feature a solid brass handshower with a 1.8 gallons (6.7 liters) per minute maximum flow rate. Rough valve kit shall incorporate brass valve bodies with quarter-turn washerless ceramic disc 3/4" valve cartridges, a spout nipple and a diverter valve with hoses as needed for handshower. Roman Tub with Handshower Deck Trim shall be Newport Brass Model 3-2927/____ and Newport Brass rough valve kit shall be 1-503.

3-2927

PRODUCT DIMENSIONS *(Units are in inches)*



Slater Roman Tub Deck Trim 3-2927