

Roman Tub Deck Trim
3-2926

Features

- Solid brass construction
- 6.43" (16.3 cm) spout height at outlet
- 7.88" (20.0 cm) spout reach (c-c)
- Intended for use with Newport Brass rough valve kit (Required Accessory) which incorporates the following:
 - Brass valve bodies and quick-connect spout fitting
 - Quarter-turn washerless ceramic disc 3/4" valve cartridges
- ADA Compliant



Codes / Standards Compliance

Meets or exceeds the following at date of manufacture:

- ASME A112.18.1/CSA B125.1
- IAMPO/cUPC
- IPC
- ADA & ICC/ANSI A117.1
- All applicable US Federal and State material regulations

Colors / Finishes

- 10B: Oil Rubbed Bronze
- 15: Polished Nickel
- 15S: Satin Nickel - PVD
- 26: Polished Chrome
- Other: Refer to the Newport Brass catalog for additional color/finish options.



Specified Model

Model	Description	Colors Finishes				
3-2926	Roman Tub Deck Trim	<input type="checkbox"/> 10B	<input type="checkbox"/> 15	<input type="checkbox"/> 15S	<input type="checkbox"/> 26	<input type="checkbox"/> Other

Required Accessory

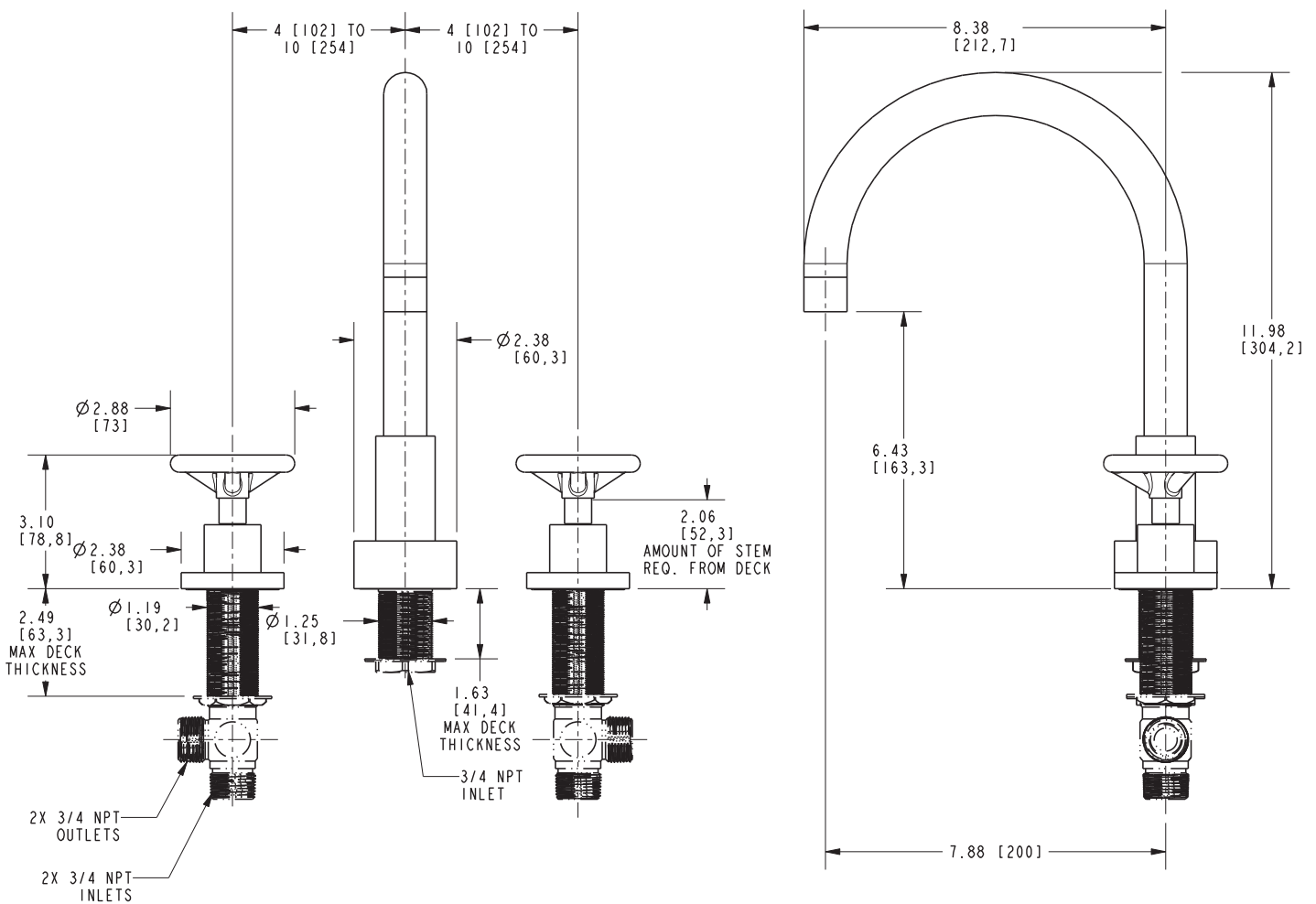
System Element	Deck Tub Valve
Description	2-Valve Assembly With Quick Connect Spout Adapter
Inlet/Outlet Size	3/4"
Part Number	1-502
Image	

Product Specification Add "Color / Finish" suffix to Model number, below.

The Roman Tub Deck Trim shall be made of solid brass construction. Roman Tub Deck Trim shall incorporate 3-spoke circular handles. Product shall incorporate a 6.43" (16.3 cm) spout height at outlet and a 7.88" (20.0 cm) spout reach (c-c). Rough valve kit shall incorporate brass valve bodies with quarter-turn washerless ceramic disc 3/4" valve cartridges and a spout nipple. Roman Tub Deck Trim shall be Newport Brass Model 3-2926/____ and Newport Brass rough valve kit shall be 1-502.

3-2926

PRODUCT DIMENSIONS *(Units are in inches)*



Slater Roman Tub Deck Trim 3-2926