

# METROPOLE

## Shower Trim

# 3-1224BP

Also 3-595

### Features

- Solid brass construction
- Face plate with ADA compliant traditional cross handle
- 1.8 gallons (6.7 liters) per minute maximum flow rate showerhead
- ADA compliant traditional cross handle assembly for control valve
- Intended for use with Newport Brass rough valve(s) as specified (Required Accessory)

### Codes / Standards Compliance

Meets or exceeds the following at date of manufacture:

- ASME A112.18.1/CSA B125.1
- IAPMO/cUPC
- IPC
- ADA
- ICC/ANSI A117.1
- ASSE 1016
- Energy Policy Act of 1992
- EPA Watersense
- All applicable US Federal and State material regulations

### Colors / Finishes

- 10B: Oil Rubbed Bronze
- 15: Polished Nickel
- 15S: Satin Nickel - PVD
- 26: Polished Chrome
- Other: Refer to the Newport Brass catalog for additional color/finish options.



3-1224BP

3-595

### Specified Model

Model	Description	Colors   Finishes				
3-1224BP	Shower Trim	<input type="checkbox"/> 10B	<input type="checkbox"/> 15	<input type="checkbox"/> 15S	<input type="checkbox"/> 26	<input type="checkbox"/> Other
3-595	Shower System Control Valve Trim (Escutcheon/Handle)	<input type="checkbox"/> 10B	<input type="checkbox"/> 15	<input type="checkbox"/> 15S	<input type="checkbox"/> 26	<input type="checkbox"/> Other

### Required Accessory: Trim(s), above, and Rough Valve(s), below, must be specified.

Application	Shower (or Tub) Valve (Choose One)		Control Valve
	Balance Pressure (BP)	Balance Pressure (BP)	Diverter (3/4 Port)
<b>Description</b>	Balance Pressure (BP)	Balance Pressure (BP)	Diverter (3/4 Port)
<b>Inlet/Outlet Size</b>	1/2"	1/2"	1/2"
<b>Part Number</b>	<input type="checkbox"/> 1-594	<input type="checkbox"/> 1-684	<input type="checkbox"/> 1-617
<b>Image</b>			

### Product Specification: Add "Color / Finish" suffix to Model number, below.

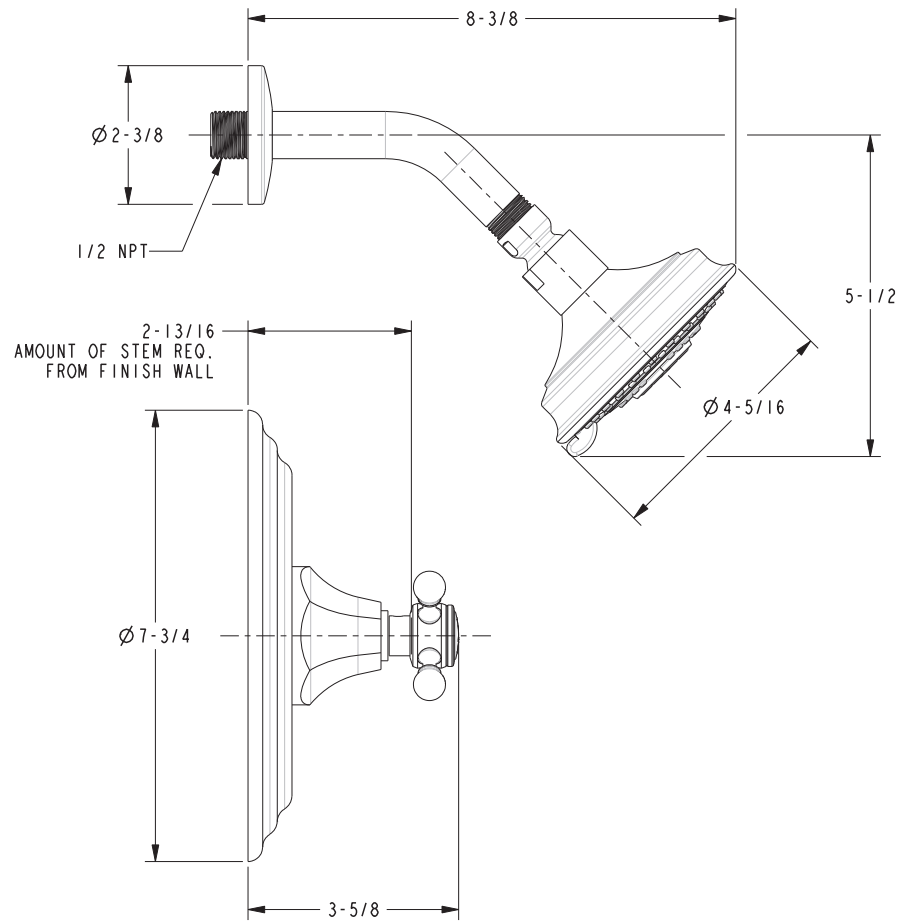
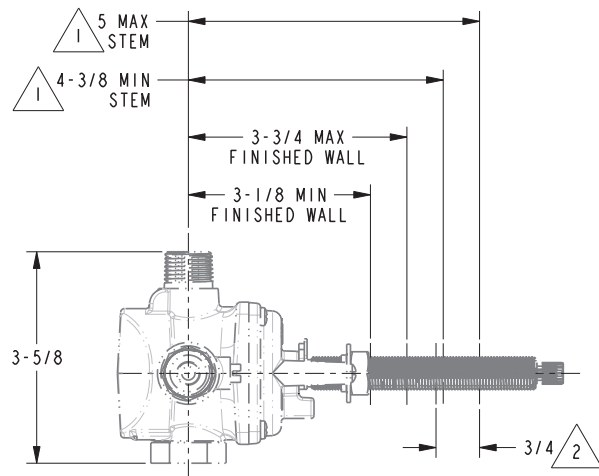
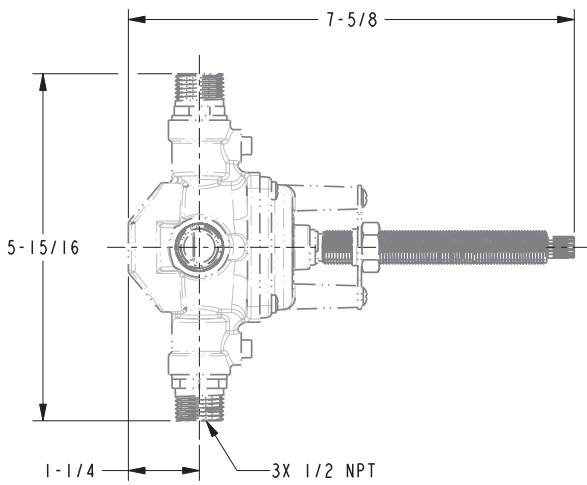
The single-control Shower Trim shall be made of solid brass construction. Shower Trim shall include showerhead with arm and flange and faceplate with ADA compliant handle. Showerhead shall have a maximum flow rate of 1.8 gallons (6.7 liters) per minute. Shower System Control Valve Trim(s) (Escutcheon/Handle) shall be ADA compliant when used with specified Shower System Control Valve. Shower Trim shall be Newport Brass Model 3-1224BP/\_\_\_\_\_ and single-control Shower rough valve shall be Newport Brass Model 1-\_\_\_\_\_. [Optional Shower System Control Valve Trim (Escutcheon/Handle) shall be 3-595/\_\_\_\_\_ and Shower System Control Valve shall be 1-617].

# 3-1224BP

## PRODUCT DIMENSIONS *(Units are in inches)*

NOTES:

1. CUT STEM TO DIMENSION SHOWN.
2. CUT ALL-THREAD 3/4" SHORTER THAN STEM.



**Metropole Shower Trim**  
**3-1224BP**

**NEWPORT BRASS**  
Flawless Beauty. From Faucet to Finish.™