

DORRANCE

Features

- Solid brass construction
- Brass valve bodies
- Quarter-turn washerless ceramic disc valve cartridges
- Cross handles
- Basin-mounted aerated spray nozzle and pop-up drain with tailpiece
- ADA Compliant

Bidet Faucet 2989



Codes / Standards Compliance

Meets or exceeds the following at date of manufacture:

- ASME A112.18.1/CSA B125.1
- IAMPO/cUPC
- IPC
- ADA & ICC/ANSI A117.1
- All applicable US Federal and State material regulations



Colors / Finishes

- 10B: Oil Rubbed Bronze
- 15: Polished Nickel
- 15S: Satin Nickel - PVD
- 26: Polished Chrome
- Other: Refer to the Newport Brass catalog for additional color/finish options.

Specified Model

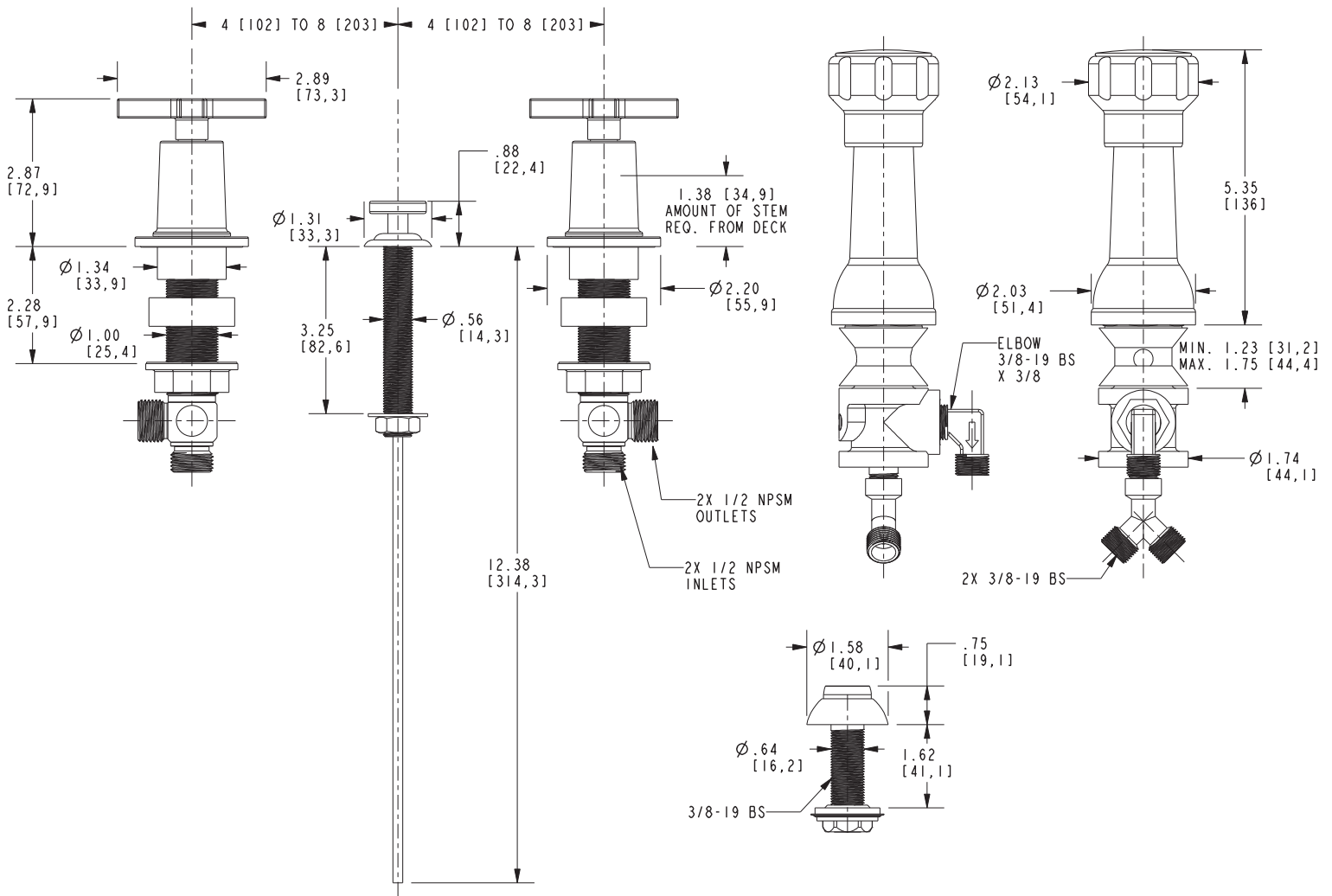
Model	Description	Colors Finishes
2989	Bidet Faucet	<input type="checkbox"/> 10B <input type="checkbox"/> 15 <input type="checkbox"/> 15S <input type="checkbox"/> 26 <input type="checkbox"/> Other

Product Specification Add "Color / Finish" suffix to Model number, below.

The Bidet Faucet shall be made of solid brass construction. Bidet Faucet shall feature brass valve bodies with quarter-turn, washerless ceramic disc valve cartridges. Bidet Faucet shall have a basin-mounted aerated spray nozzle. Bidet Faucet shall incorporate a vacuum breaker, pop-up drain and tailpiece. Bidet Faucet shall incorporate ADA compliant cross handles and shall be Newport Brass Model 2989/_____.

2989

PRODUCT DIMENSIONS *(Units are in inches)*



Dorrance Bidet Faucet 2989