

# JACOBEBAN

## Features

- Solid brass construction
- Brass valve bodies
- Quarter-turn washerless ceramic disc valve cartridges
- Swivel Spout assembly with integral supply hoses
- 6.00" (15.2 cm) spout height at outlet
- 9.05" (23.0 cm) spout reach (c-c)
- For 8" (20.3 cm) centers - Maximum 20" (50.8 cm)
- ADA Complaint
- 1.8 GPM (6.8 LPM) Max

## Two-Handle Kitchen Faucet

# 2470-5423



## Codes / Standards Compliance

Meets or exceeds the following at date of manufacture:

- ASME A112.18.1/CSA B125.1
- IAMPO/cUPC
- NSF/ANSI 61, SECTION 9
- NSF/ANSI 372
- IPC
- ADA & ICC/ANSI A117.1
- Energy Policy Act of 1992
- California Energy Commission
- All applicable US Federal and State material regulation



## Colors / Finishes

- 10B: Oil Rubbed Bronze
  - 15: Polished Nickel
  - 15S: Satin Nickel - PVD
  - 26: Polished Chrome
- Other: Refer to the Newport Brass catalog for additional color/finish options.

## Specified Model

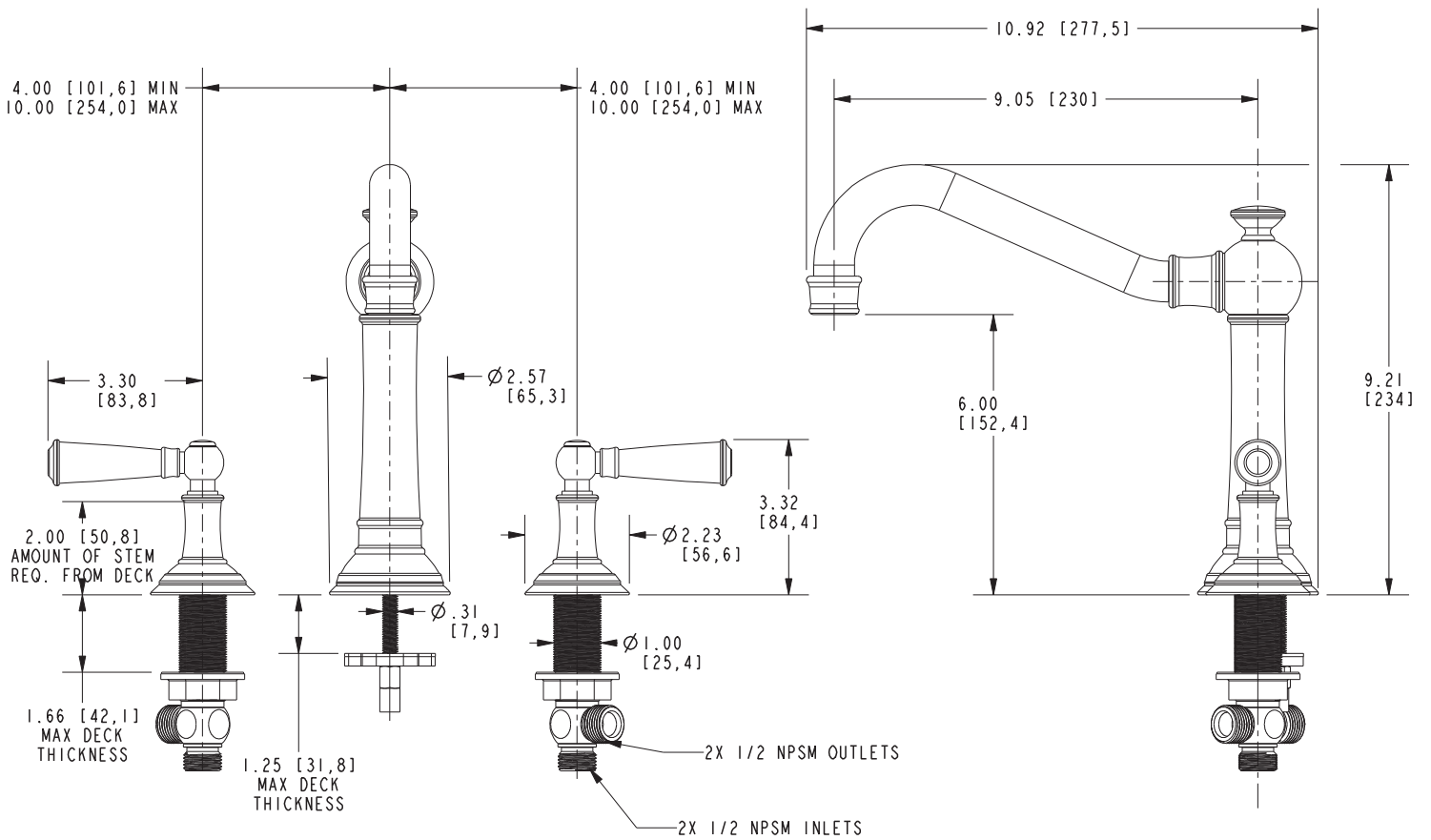
Model	Description	Colors   Finishes
2470-5423	Two-Handle Kitchen Faucet	<input type="checkbox"/> 10B <input type="checkbox"/> 15 <input type="checkbox"/> 15S <input type="checkbox"/> 26 <input type="checkbox"/> Other

## Product Specification Add "Color / Finish" suffix to Model number, below.

The Two-Handle Kitchen Faucet shall be made of solid brass construction. Faucet shall incorporate a swivel spout assembly with integral supply hoses and feature brass valve bodies with quarter-turn washerless ceramic disc valve cartridges. Faucet shall have a 1.8 gallons (6.8 liters) per minute maximum flow rate. Product shall be for 8" (20.3 cm) centers - Maximum 20" (50.8 cm). Product shall incorporate a 6.00" (15.2 cm) spout height at outlet and a 9.05" (23.0 cm) spout reach (c-c). Faucet shall incorporate lever handles. Two-Handle Kitchen Faucet shall be Newport Brass Model 2470-5423/\_\_\_\_.

# 2470-5423

## PRODUCT DIMENSIONS *(Units are in inches)*



### Jacobean Two-Handle Kitchen Faucet 2470-5423