

JACOBEEAN

Prep Sink / Bar Faucet **2470-5203**

Features

- Solid brass construction
- Forged brass body
- Swivel spout assembly with side-mounted ADA compliant lever handle
- Independent rotational and pivoting lever handle elements
- Rotating spout assembly with integral supply hoses
- 7-3/4" (19.7 cm) spout height at outlet
- 6-11/16" (17.0 cm) spout reach (c-c)
- For single hole configurations
- 1.8 gallons (6.8 liters) per minute maximum flow rate

Codes / Standards Compliance

Meets or exceeds the following at date of manufacture:

- ASME A112.18.1/CSA B125.1
- IAPMO/cUPC
- IPC
- NSF 61
- ADA
- ICC/ANSI A117.1
- Energy Policy Act of 1992
- All applicable US Federal and State material regulations



Colors / Finishes

- 10B: Oil Rubbed Bronze
- 15: Polished Nickel
- 15S: Satin Nickel - PVD
- 26: Polished Chrome
- Other: Refer to the Newport Brass catalog for additional color/finish options.

Specified Model

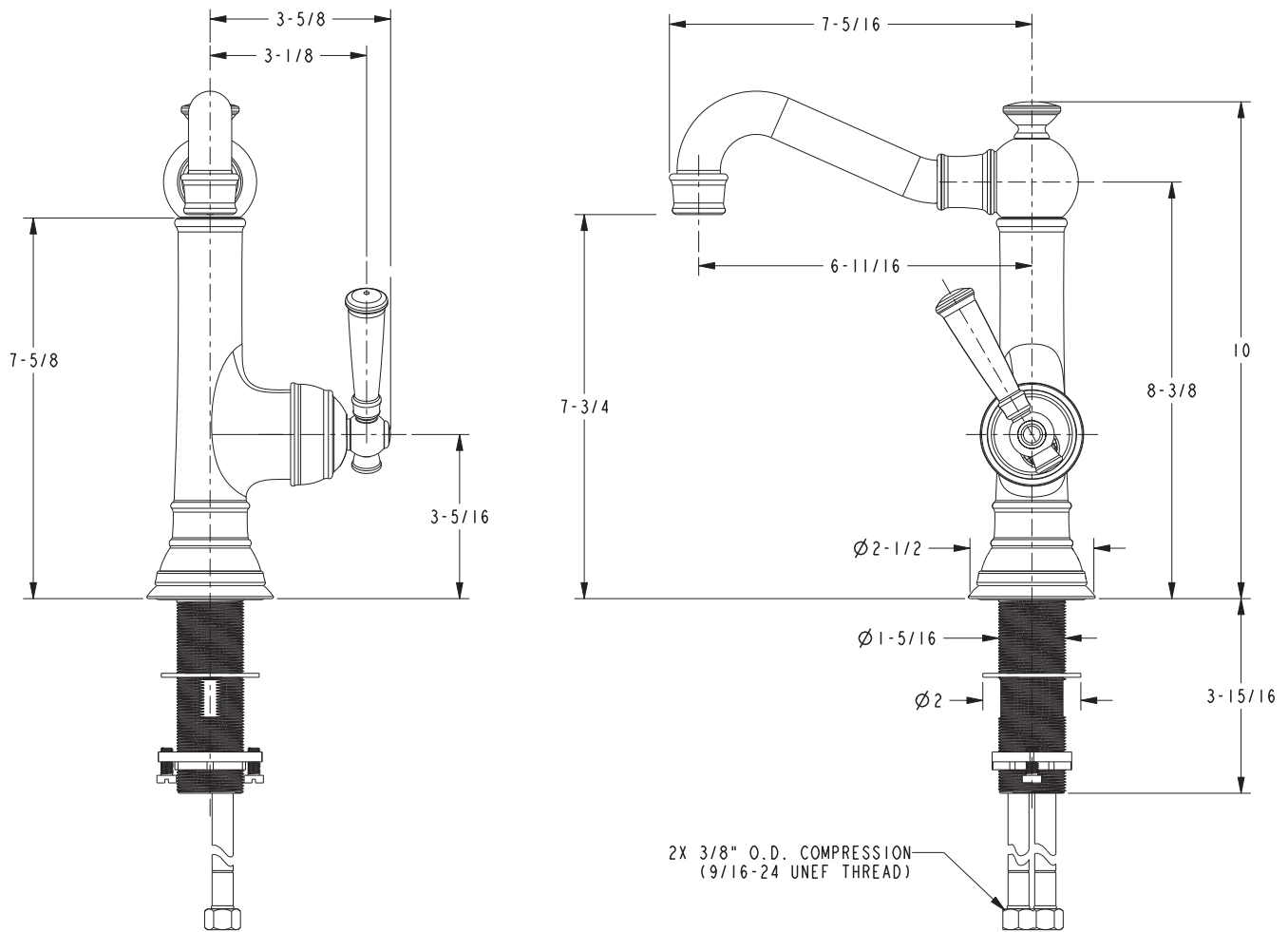
Model	Description	Colors Finishes				
2470-5203	Single Handle Prep Sink / Bar Faucet	<input type="checkbox"/> 10B	<input type="checkbox"/> 15	<input type="checkbox"/> 15S	<input type="checkbox"/> 26	<input type="checkbox"/> Other

Product Specification Add "Color / Finish" suffix to Model number, below.

The Single-Handle Prep Sink / Bar Faucet shall be made of solid brass construction. Faucet shall feature brass body with integral supply hoses and feature single-handle operation of a side-mounted Euro-motion ceramic disc 35 mm valve cartridge. Faucet shall have a 1.8 gallon (6.8 liter) per minute maximum flow rate. Product shall accommodate single hole configurations. Product shall incorporate a 7-3/4" (19.7 cm) spout height at outlet and a 6-11/16" (17.0 cm) spout reach (c-c). Faucet shall incorporate an ADA compliant traditional lever handle. Prep Sink / Bar Faucet shall be Newport Brass Model 2470-5203/____.

2470-5203

PRODUCT DIMENSIONS *(Units are in inches)*



Jacobean Prep Sink / Bar Faucet
2470-5203