

NEWPORT SHOWER

Shower Arm with Flange **201-3**

Features

- Solid brass construction
- 1/2" NPT Inlet
- 2-3/8" x 2-3/8" integral flange
- Complements Kiara product series

Codes / Standards Compliance

Meets or exceeds the following at date of manufacture:

- All applicable US Federal and State material regulations

Colors / Finishes

- 10B: Oil Rubbed Bronze
- 15: Polished Nickel
- 15S: Satin Nickel - PVD
- 26: Polished Chrome
- Other: Refer to the Newport Brass catalog for additional color/finish options.



Specified Model

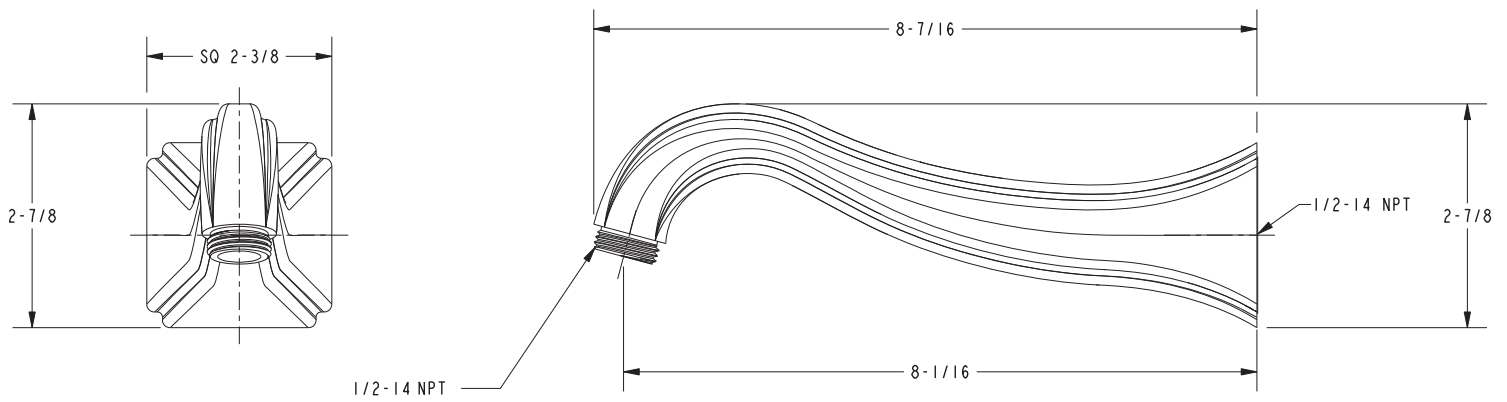
Model	Description	Colors Finishes
201-3	8" Shower Arm with Integral Flange	<input type="checkbox"/> 10B <input type="checkbox"/> 15 <input type="checkbox"/> 15S <input type="checkbox"/> 26 <input type="checkbox"/> Other

Product Specification: Add size designator and "Color / Finish" suffix to Model number, below.

The Shower Arm with Flange shall be made of solid brass construction. Product shall incorporate 1/2" NPT inlet and have an approximate length of 8". Product shall have an integral flange covering a 2-3/8" x 2-3/8" area of the wall. Product shall complement Kiara product series. Shower Arm with Flange shall be Newport Brass Model 201-3/_____.

201-3

PRODUCT DIMENSIONS *(Units are in inches)*



Newport Bath Shower with Flange

201-3

Page 2 of 2 Spec_201-3_c_1.19

NEWPORT BRASS
Flawless Beauty. From Faucet to Finish.™

t: 949.417.5207 | www.newportbrass.com
©2016 Brasstech, Inc.