

**Tank Lever**  
**2-573**

**Features**

- Solid brass construction
- Traditional styling
- Cross handle design
- Front or side mount installation
- Requires a 5/8" x 5/8" (1.58 cm) square hole for installation (standard toilet tank hole size).
- Intended for use with 6-505 Tank Lever Mechanism (Required Accessory)
- Complements Astaire product series

**Codes / Standards Compliance**

Meets or exceeds the following at date of manufacture:

- All applicable US Federal and State material regulations

**Colors / Finishes**

- 10B: Oil Rubbed Bronze
- 15: Polished Nickel
- 15S: Satin Nickel - PVD
- 26: Polished Chrome
- Other: Refer to the Newport Brass catalog for additional color/finish options.



**Specified Model**

Model	Description	Colors   Finishes
2-573	Tank Lever	<input type="checkbox"/> 10B <input type="checkbox"/> 15 <input type="checkbox"/> 15S <input type="checkbox"/> 26 <input type="checkbox"/> Other

**Required Accessory**

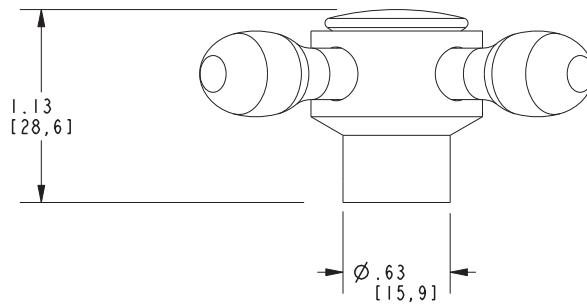
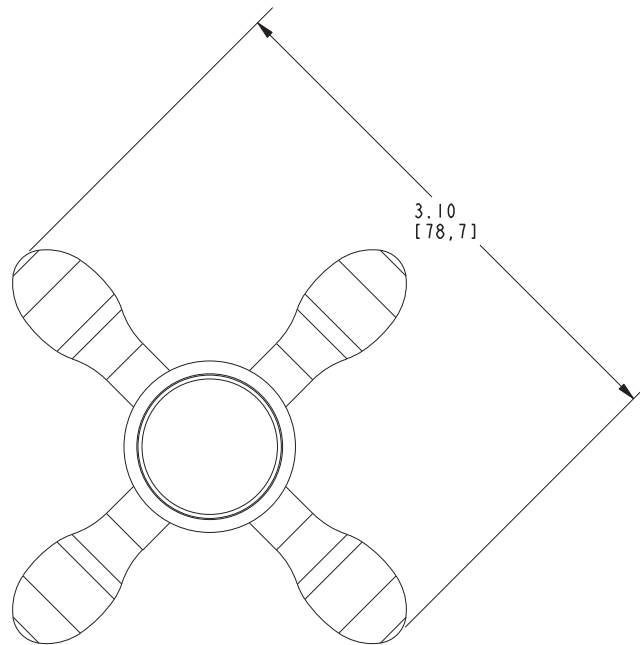
Description	Tank Lever Mechanism	Colors   Finishes
Part Number	6-505	<input type="checkbox"/> 10B <input type="checkbox"/> 15 <input type="checkbox"/> 15S <input type="checkbox"/> 26 <input type="checkbox"/> Other
Image		

**Product Specification** Add "Color / Finish" suffix to Model number, below.

The Tank Lever shall be of solid brass construction. Product shall complement Astaire product series by Newport Brass. Tank Lever shall be Newport Brass Model 2-573/\_\_\_ and Tank Lever Mechanism shall be 6-505/\_\_\_.

# 2-573

## PRODUCT DIMENSIONS *(Units are in inches)*



**Astaire Tank Lever**  
**2-573**

**NEWPORT BRASS**  
Flawless Beauty. From Faucet to Finish.™