

Tank Lever
2-270

Features

- Solid brass construction
- Traditional styling
- Cross handle design
- Front or side mount installation
- Requires a 5/8" x 5/8" (1.58 cm) square hole for installation (standard toilet tank hole size).
- Intended for use with 6-505 Tank Lever Mechanism (Required Accessory)
- Complements Fairfield product series

Codes / Standards Compliance

Meets or exceeds the following at date of manufacture:

- All applicable US Federal and State material regulations

Colors / Finishes

- 10B: Oil Rubbed Bronze
- 15: Polished Nickel
- 15S: Satin Nickel - PVD
- 26: Polished Chrome
- Other: Refer to the Newport Brass catalog for additional color/finish options.



Specified Model

Model	Description	Colors Finishes
2-270	Tank Lever	<input type="checkbox"/> 10B <input type="checkbox"/> 15 <input type="checkbox"/> 15S <input type="checkbox"/> 26 <input type="checkbox"/> Other

Required Accessory

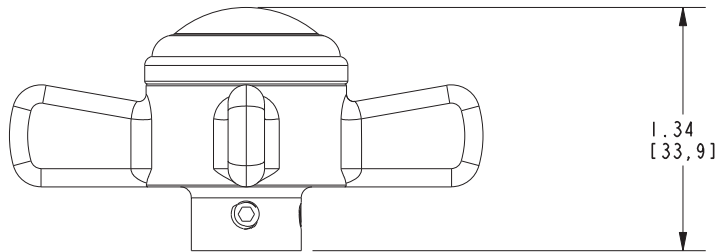
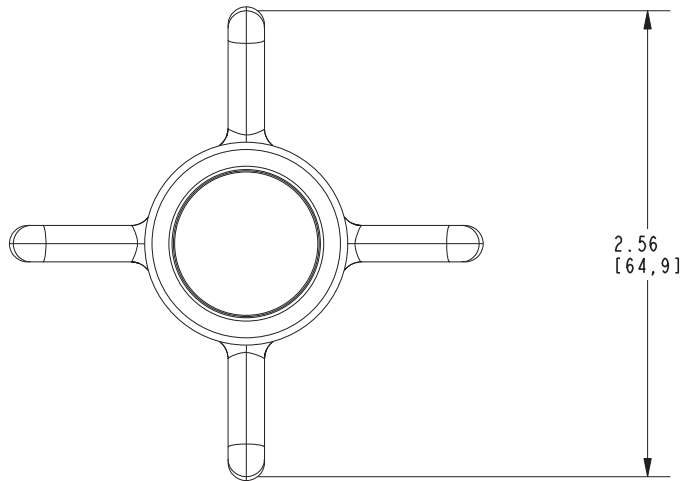
Description	Tank Lever Mechanism	Colors Finishes
Part Number	6-505	<input type="checkbox"/> 10B <input type="checkbox"/> 15 <input type="checkbox"/> 15S <input type="checkbox"/> 26 <input type="checkbox"/> Other
Image		

Product Specification Add "Color / Finish" suffix to Model number, below.

The Tank Lever shall be of solid brass construction. Product shall complement Fairfield product series by Newport Brass. Tank Lever shall be Newport Brass Model 2-270/___ and Tank Lever Mechanism shall be 6-505/___.

2-270

PRODUCT DIMENSIONS *(Units are in inches)*



Fairfield Tank Lever
2-270