

Features

- Solid brass construction
- Forged brass body with side-mounted handle
- Euro-motion ceramic disc 25 mm valve cartridge
- Side-mounted ADA compliant traditional lever handle
- Spout assembly with integral supply hoses
- Push pop-up drain with tailpiece
- 5-5/8" (14.3 cm) spout height at outlet
- 5-7/8" (14.9 cm) spout reach (c-c)
- For single hole configurations
- 1.2 gallons (4.5 liters) per minute maximum flow rate

Codes / Standards Compliance

Meets or exceeds the following at date of manufacture:

- ASME A112.18.1/CSA B125.1
- IAPMO/cUPC
- IPC
- NSF 61
- ADA
- ICC/ANSI A117.1
- Energy Policy Act of 1992
- All applicable US Federal and State material regulations
- EPA Watersense

Single Handle Lavatory Faucet

2473



Colors / Finishes

- 10B: Oil Rubbed Bronze
- 15: Polished Nickel
- 15S: Satin Nickel - PVD
- 26: Polished Chrome
- Other: Refer to the Newport Brass catalog for additional color/finish options.

Specified Model

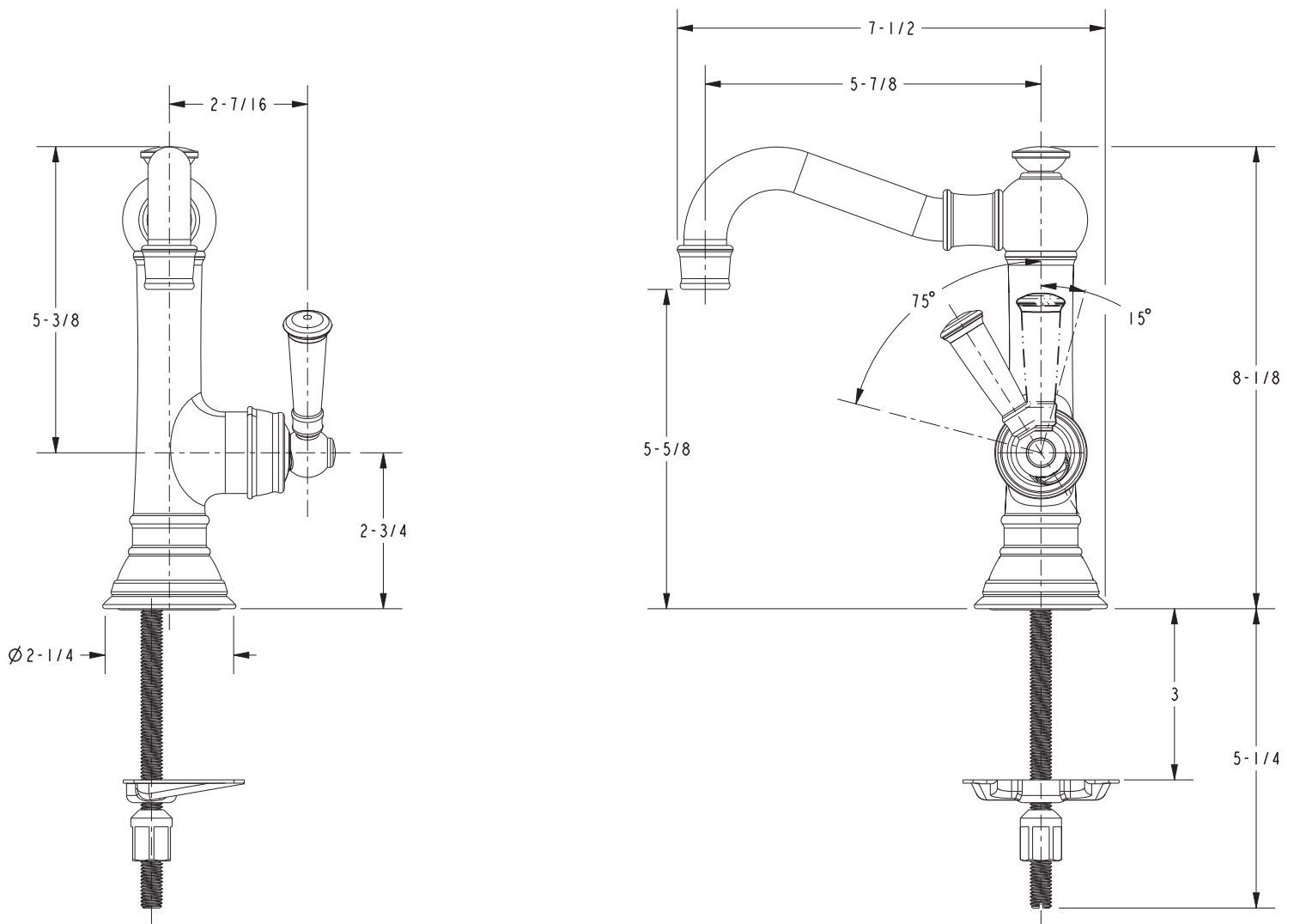
Model	Description	Colors Finishes
2473	Single Handle Lavatory Faucet	<input type="checkbox"/> 10B <input type="checkbox"/> 15 <input type="checkbox"/> 15S <input type="checkbox"/> 26 <input type="checkbox"/> Other

Product Specification:

The Single Handle Lavatory Faucet shall be made of solid brass construction. Faucet shall feature forged brass body with side-mounted Euro-motion ceramic disc 25 mm valve cartridge. Faucet shall have a 1.2 gallon (4.5 liter) per minute maximum flow rate. Product shall accommodate single hole configurations. Product shall incorporate a 5-5/8" (14.3 cm) spout height at outlet and a 5-7/8" (14.9 cm) spout reach (c-c). Faucet shall include a Push pop-up drain with tailpiece and incorporate a side-mounted ADA compliant traditional lever handle. Single Handle Lavatory Faucet shall be Newport Brass Model 2473/____.

2473

PRODUCT DIMENSIONS *(Units are in inches)*



Jacobean Single Handle Lavatory Faucet 2473