

# AYLESBURY

## Single Handle Lavatory Faucet **2433**

### Features

- Solid brass construction
- Forged brass body with side-mounted handle
- Euro-motion ceramic disc 25 mm valve cartridge
- Side-mounted ADA compliant traditional lever handle
- Spout assembly with integral supply hoses
- Push pop-up drain with tailpiece
- 5-7/16" (13.8 cm) spout height at outlet
- 5-1/16" (12.9 cm) spout reach (c-c)
- For single hole configurations
- 1.2 gallons (4.5 liters) per minute maximum flow rate

### Codes / Standards Compliance

Meets or exceeds the following at date of manufacture:

- ASME A112.18.1/CSA B125.1
- IAPMO/cUPC
- IPC
- NSF 61
- ADA
- ICC/ANSI A117.1
- Energy Policy Act of 1992
- All applicable US Federal and State material regulations
- EPA Watersense



### Colors / Finishes

- 10B: Oil Rubbed Bronze
- 15: Polished Nickel
- 15S: Satin Nickel - PVD
- 26: Polished Chrome
- Other: Refer to the Newport Brass catalog for additional color/finish options.

### Specified Model

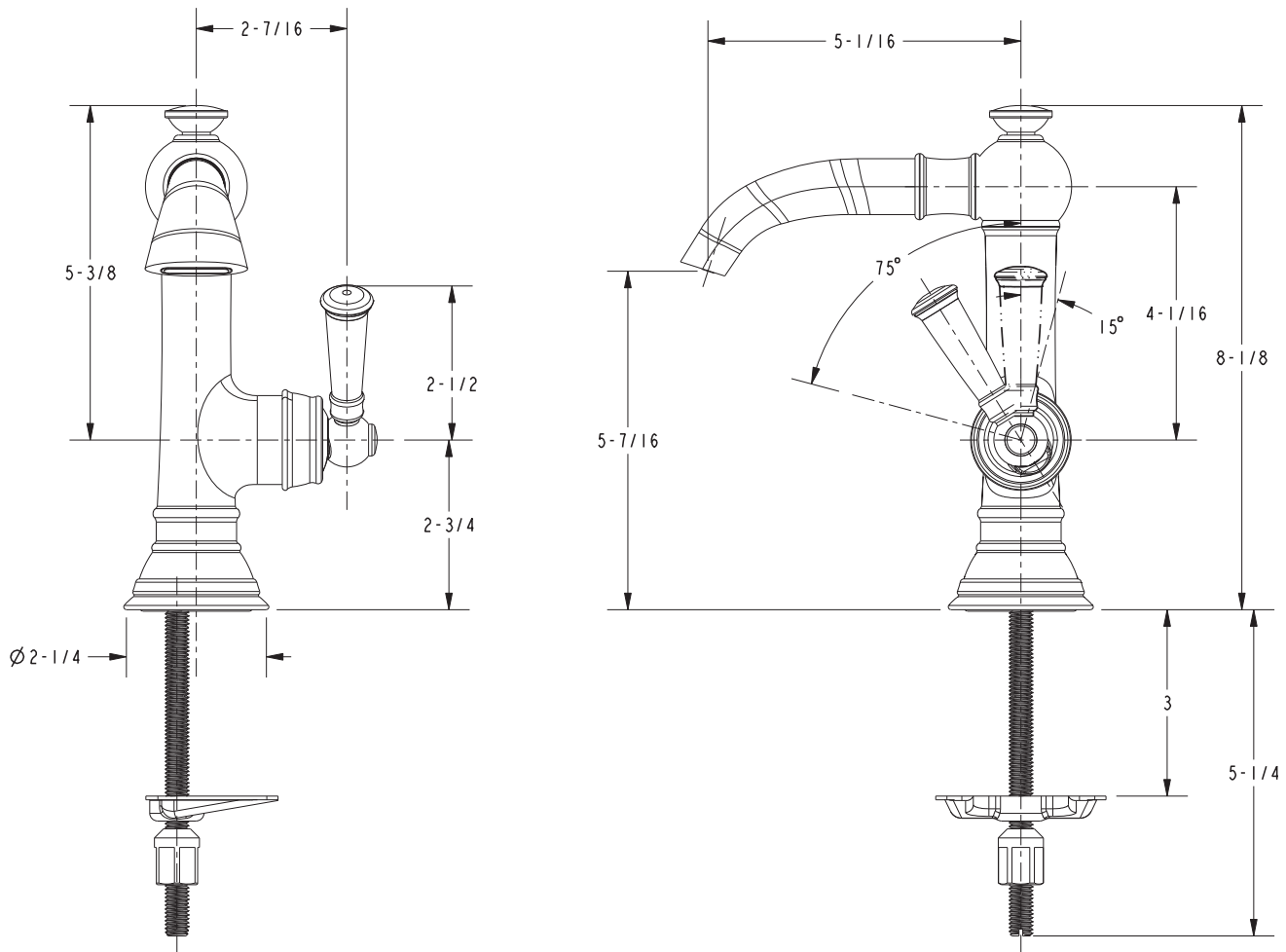
Model	Description	Colors   Finishes
2433	Single Handle Lavatory Faucet	<input type="checkbox"/> 10B <input type="checkbox"/> 15 <input type="checkbox"/> 15S <input type="checkbox"/> 26 <input type="checkbox"/> Other

### Product Specification Add "Color / Finish" suffix to Model number, below.

The Single Handle Lavatory Faucet shall be made of solid brass construction. Faucet shall feature forged brass body with side-mounted Euro-motion ceramic disc 25 mm valve cartridge. Faucet shall have a 1.2 gallons (4.5 liters) per minute maximum flow rate. Product shall accommodate single hole configurations. Product shall incorporate a 5-7/16" (13.8 cm) spout height at outlet and a 5-1/16" (12.9 cm) spout reach (c-c). Faucet shall include a Push pop-up drain with tailpiece and incorporate a side-mounted ADA compliant traditional lever handle Single Handle Lavatory Faucet shall be Newport Brass Model 2433/\_\_\_\_.

# 2433

## PRODUCT DIMENSIONS *(Units are in inches)*



### Aylesbury Single Handle Lavatory Faucet 2433