

Features

- Solid brass construction
- Forged brass body with top-mounted handle
- Euro-motion ceramic disc 25 mm valve cartridge
- ADA compliant contemporary lever handle
- Spout assembly with integral supply hoses
- Lift-and-turn drain with tailpiece
- 7.4" (18.8 cm) spout height at outlet
- 6.14" (15.6 cm) spout reach (c-c)
- For single hole configurations
- 1.2 gallons (4.5 liters) per minute maximum flow rate

Codes / Standards Compliance

Meets or exceeds the following at date of manufacture:

- ASME A112.18.1/CSA B125.1
- IAPMO/cUPC
- IPC
- NSF 61
- ADA
- ICC/ANSI A117.1
- Energy Policy Act of 1992
- All applicable US Federal and State material regulations
- EPA Watersense

Colors / Finishes

- 10B: Oil Rubbed Bronze
- 15: Polished Nickel
- 15S: Satin Nickel - PVD
- 26: Polished Chrome
- Other: Refer to the Newport Brass catalog for additional color/finish options.

Single Hole Lavatory Faucet

2043



Specified Model

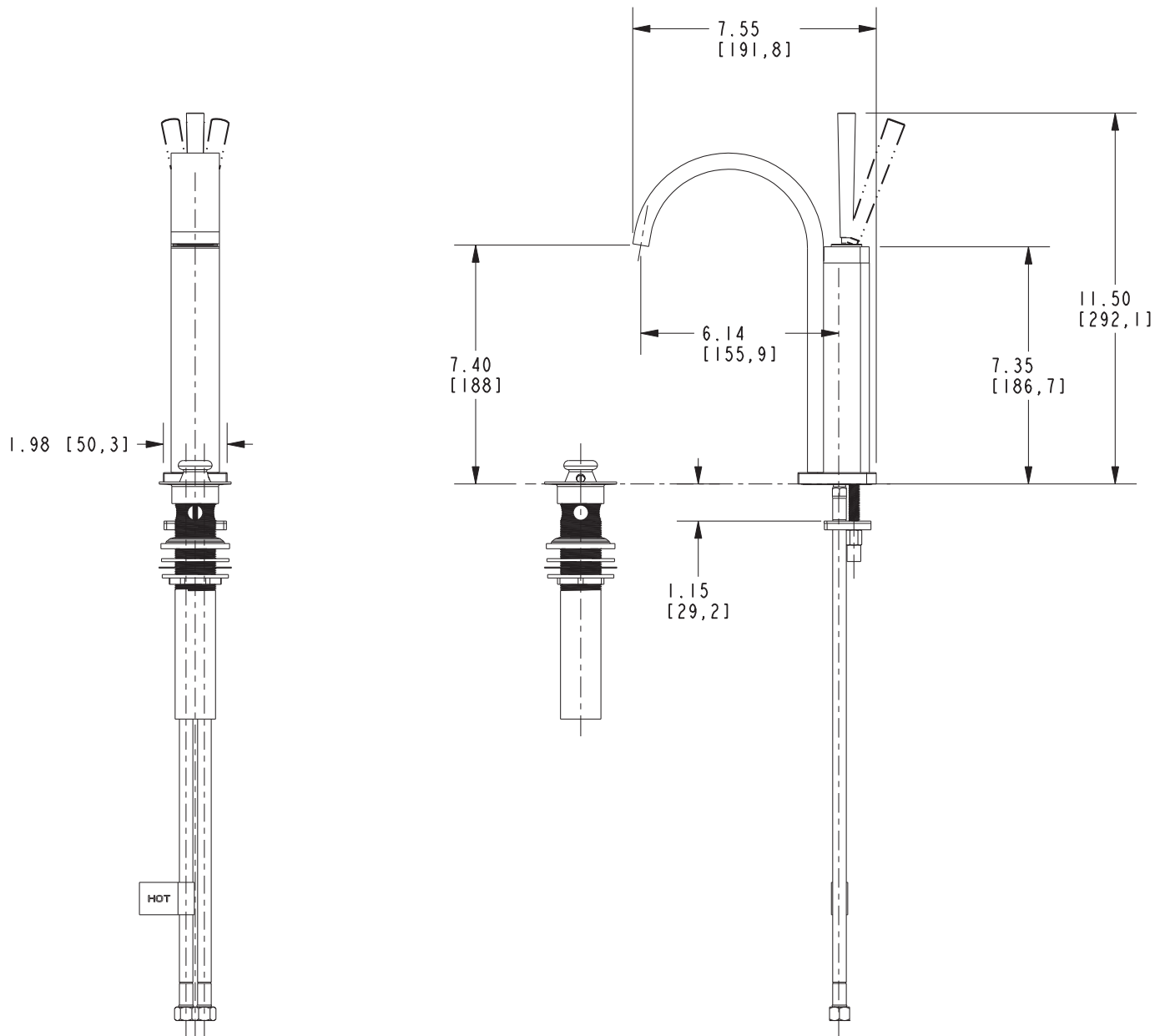
Model	Description	Colors Finishes
2043	Single Hole Lavatory Faucet	<input type="checkbox"/> 10B <input type="checkbox"/> 15 <input type="checkbox"/> 15S <input type="checkbox"/> 26 <input type="checkbox"/> Other

Product Specification: Add "Color / Finish" suffix to Model number, below.

The Single Hole Lavatory Faucet shall be made of solid brass construction. Faucet shall feature a brass body with top-mounted Euro-motion ceramic disc 25 mm valve cartridge. Faucet shall have a 11.2 gallons (4.5 liters) per minute maximum flow rate. Product shall accommodate single hole configurations. Product shall incorporate a 7.4" (18.8 cm) spout height at outlet and a 6.14" (15.6 cm) spout reach (c-c). Faucet shall include a Lift-and-turn drain with tailpiece and incorporate ADA compliant contemporary lever handle. Single Hole Lavatory Faucet shall be Newport Brass Model 2043/_____.

2043

PRODUCT DIMENSIONS *(Units are in inches)*



Secant Single Hole Lavatory Faucet 2043