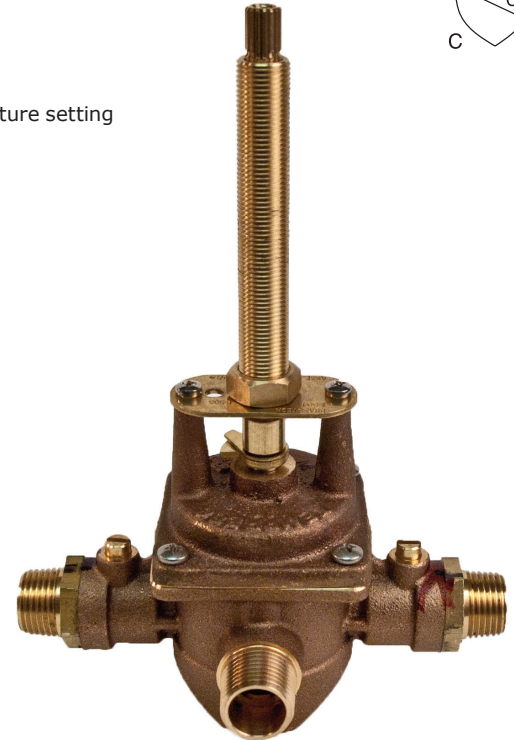


ROUGH VALVE

Balance Pressure Valve For Shower Installations

1-594



Features

- Solid brass construction
- Provides anti-scald protection and temperature regulation
- Pressure-balancing technology maintains water temperature within +/- 2 degrees Fahrenheit
- High-temperature safety stop ensures water temperature stays below maximum setting
- Integral hot and cold inlet stops ensure easy cartridge access
- Universal NPT and direct sweat connections for installation flexibility
- Maximum handle rotational requirement of 270 degrees to achieve maximum temperature setting
- 5.3 gpm (gallons per minute) flow rate (@ 50 psi)
- Requires Newport Brass BP Valve Trim (many options available, sold-separately)

Codes / Standards Compliance

Meets or exceeds the following at date of manufacture:

- ASME A112.18.1/CSA B125.1
- IAPMO/Cupc
- IPC
- ASSE 1016
- All applicable US Federal and State material regulations

Specified Model

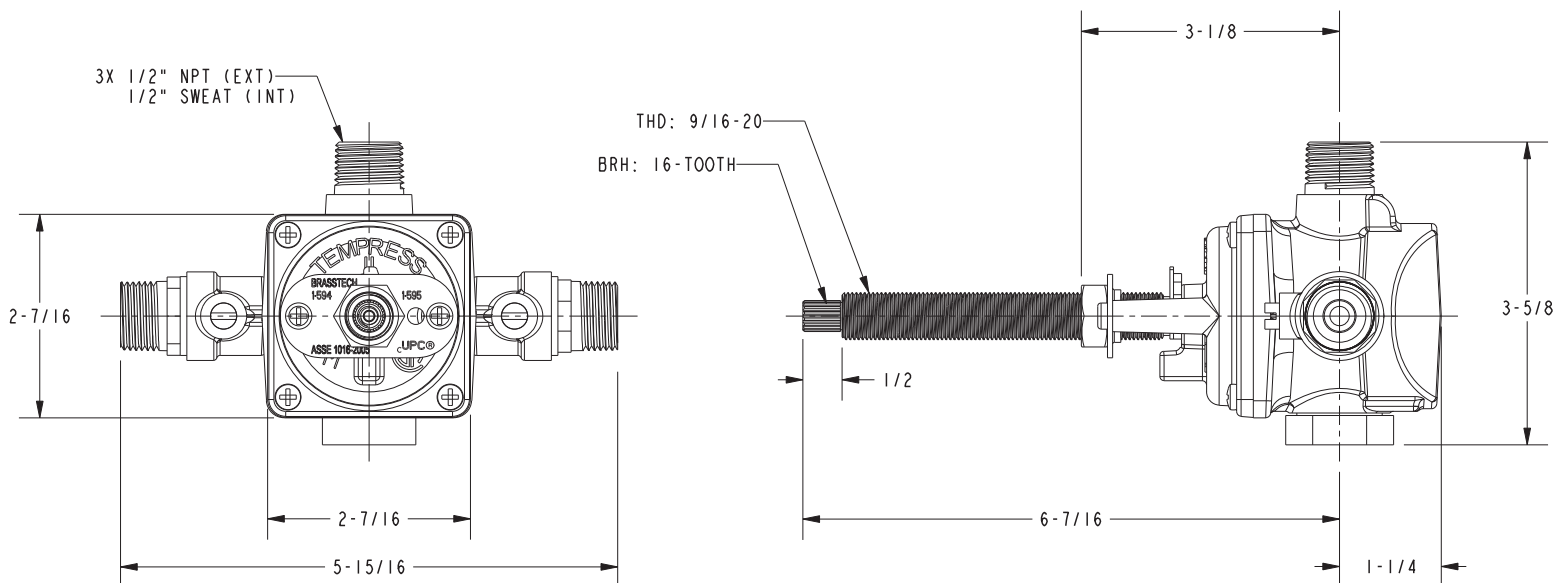
Model	Description	Colors Finishes
1-594	Balance Pressure Valve For Shower Installations	<input type="checkbox"/> NA

Product Specification: Add "Color / Finish" suffix to Model number, below.

Control valve shall be made of solid metal construction having 1/2" NPT connections. Provides anti-scald protection and temperature regulation utilizing Pressure-balancing technology maintaining water temperature within +/- 2 degrees Fahrenheit. Integral high-temperature safety stop ensures water temperature stays below maximum setting. Integral hot and cold inlet stops ensure easy cartridge service access. Universal NPT and direct sweat connections are provided for greater installation flexibility. A maximum 270 degrees of handle rotational is required to achieve maximum temperature setting. 5.3 gpm (gallons per minute) flow rate (@ 50 psi). Requires a Newport Brass BP Valve Trim (many options available, sold-separately). Valve shall be Newport Brass Model 1-594.

1-594

PRODUCT DIMENSIONS *(Units are in inches)*



Newport Brass Rough Valve 1-594