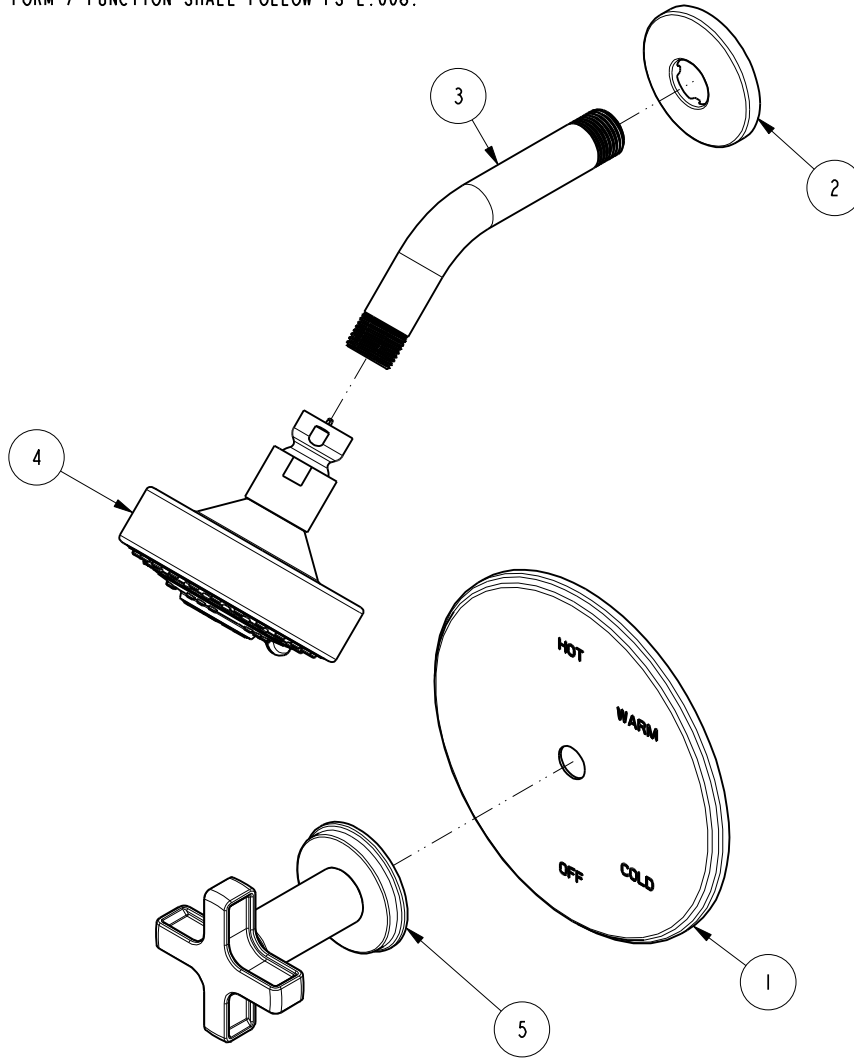


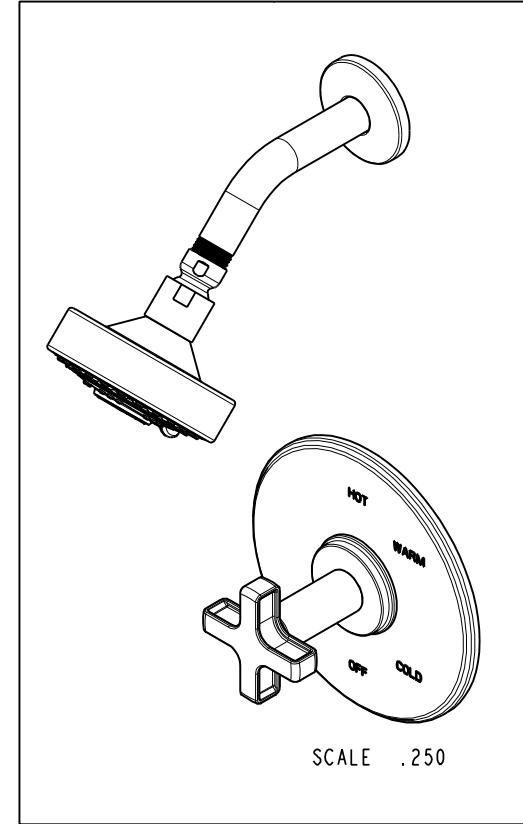
NOTES:

(NI) 1. FIT / FORM / FUNCTION SHALL FOLLOW PS-E.008.



**BILL OF MATERIAL (CURRENT LEVEL)**

ITEM	PT/ASSY	DESCRIPTION	TYPE	QTY.
1	2-439	COVERPLATE BP W/O DIVERTER	ASSEMBLY	1
2	206	SHOWER ARM FLANGE	PART	1
3	200	SHOWER ARM 6" BRASS	PART	1
4	2155	SHOWER HEAD, CONTEMP	ASSEMBLY	1
5	3-649	CROSS HANDLE W/ESC.	ASSEMBLY	1



COPYRIGHT 2005 BRASSTECH, INC. THESE DRAWINGS AND THE DESIGNS DEPICTED HEREIN ARE THE PROPRIETARY PROPERTY OF BRASSTECH. ANY USE OR REPRODUCTION IS SUBJECT TO THE EXPRESS APPROVAL OF BRASSTECH. UNAUTHORIZED USE IS STRICTLY PROHIBITED. ALL RIGHTS RESERVED.

UNITS ARE: INCHES [MM]

TOLERANCES ARE:

FRACTIONS DECIMALS ANGLES  
 $\pm 1/16"$  .X  $\pm .1$  [2,5]  $\pm 1^\circ$   
 .XX  $\pm .06$  [1,5]

(X.XXX) DENOTES CRITICAL DIMS.  
 ALL THREADS ARE CRITICAL

DRAWN JINSON 03/13/19  
 CHECKED J.M. 03/13/19  
 APPROVED J.M 03/13/19

**BRASSTECH**  
 INCORPORATED

2001 CARNEGIE AVE.  
 SANTA ANA, CA 92705  
 (949) 417-5207

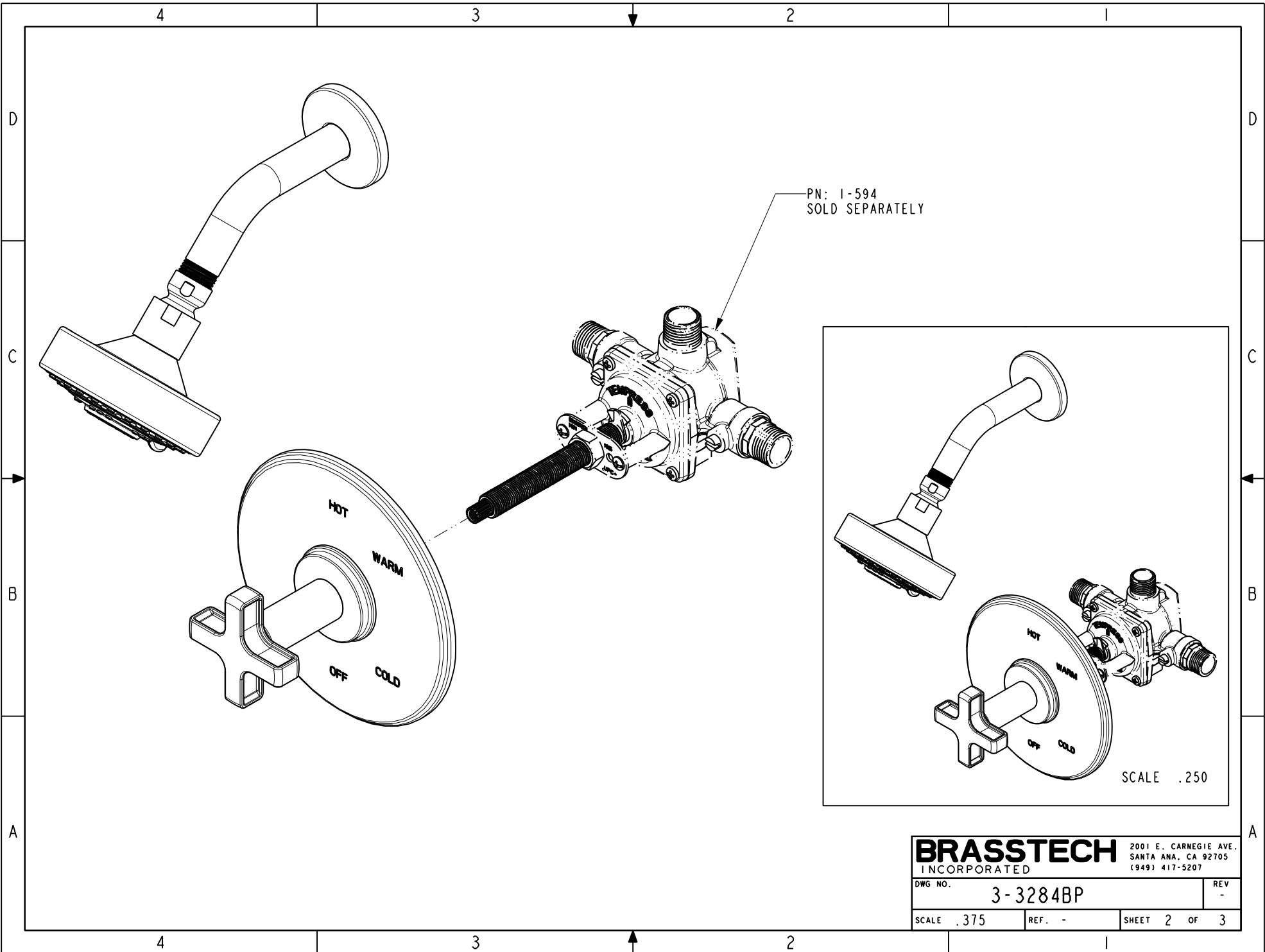
**BP SHOWER TRIM SET**

DWG NO. **3-3284BP**

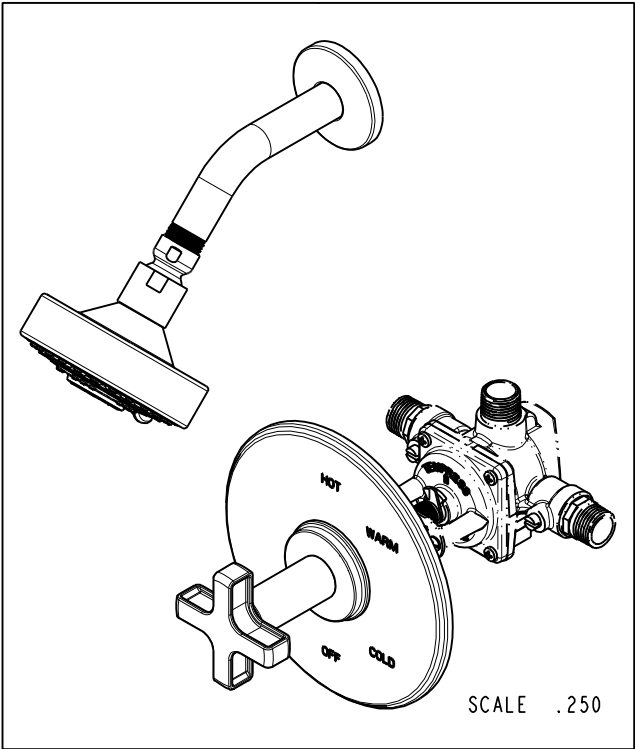
SCALE .325 REF. - SHEET 1 OF 3

ZONE	REV	DESCRIPTION	DATE	APPROVED
-	-	EN-3478	03/13/19	J.M

TESTING	ASSEMBLY	PLATING	POLISHING	MACHINING	TOOLING FIXTURE #	APPLICATION
-	-	-	-	-	-	REMOVE ALL BURRS AND SHARP EDGES



PN: 1-594  
SOLD SEPARATELY



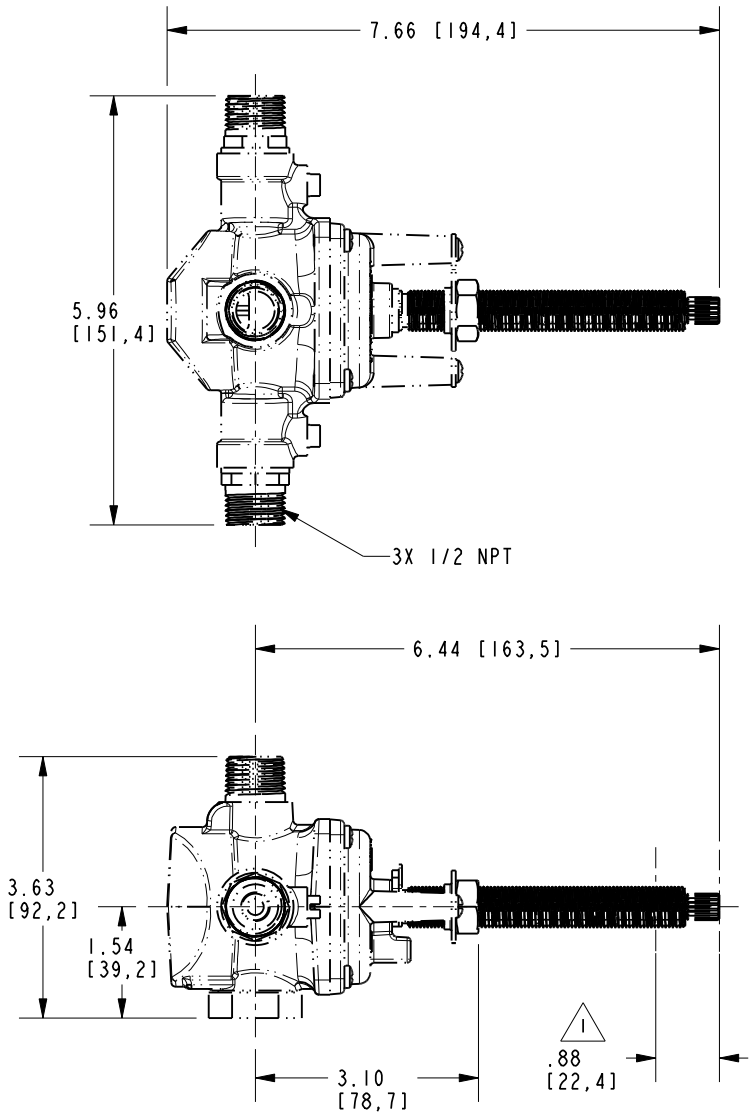
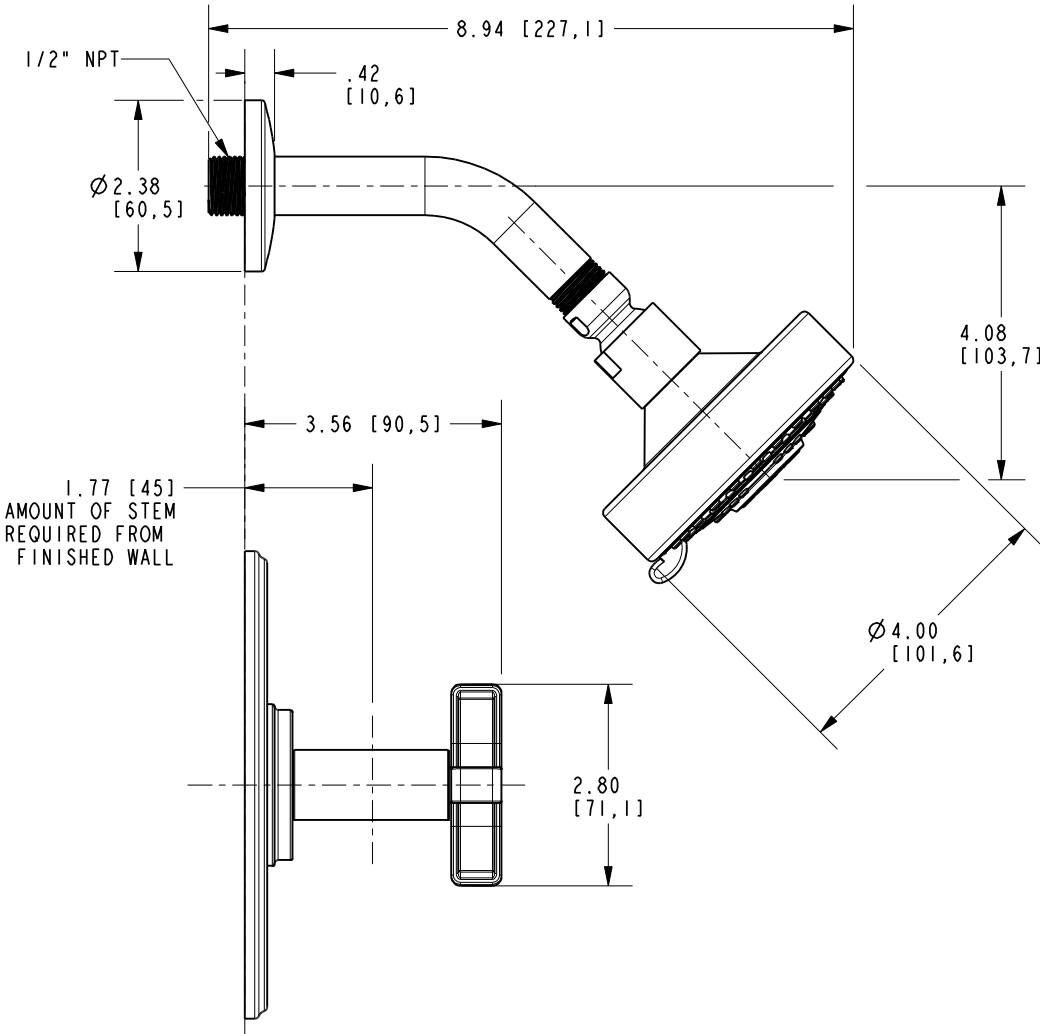
**BRASSTECH** 2001 E. CARNEGIE AVE.  
INCORPORATED SANTA ANA, CA 92705  
(949) 417-5207

DWG NO.	3-3284BP	REV	-
SCALE	.375	REF.	-
SHEET 2		OF 3	

NOTE:

1. CUT ALL THREAD 0.88" SHORTER THAN STEM.

D  
C  
B  
A



D  
C  
B  
A

**BRASSTECH** 2001 E. CARNEGIE AVE.  
INCORPORATED SANTA ANA, CA 92705  
(949) 417-5207

DWG NO.	3-3284BP	REV	-
SCALE	.375	REF.	-
SHEET	3	OF	3