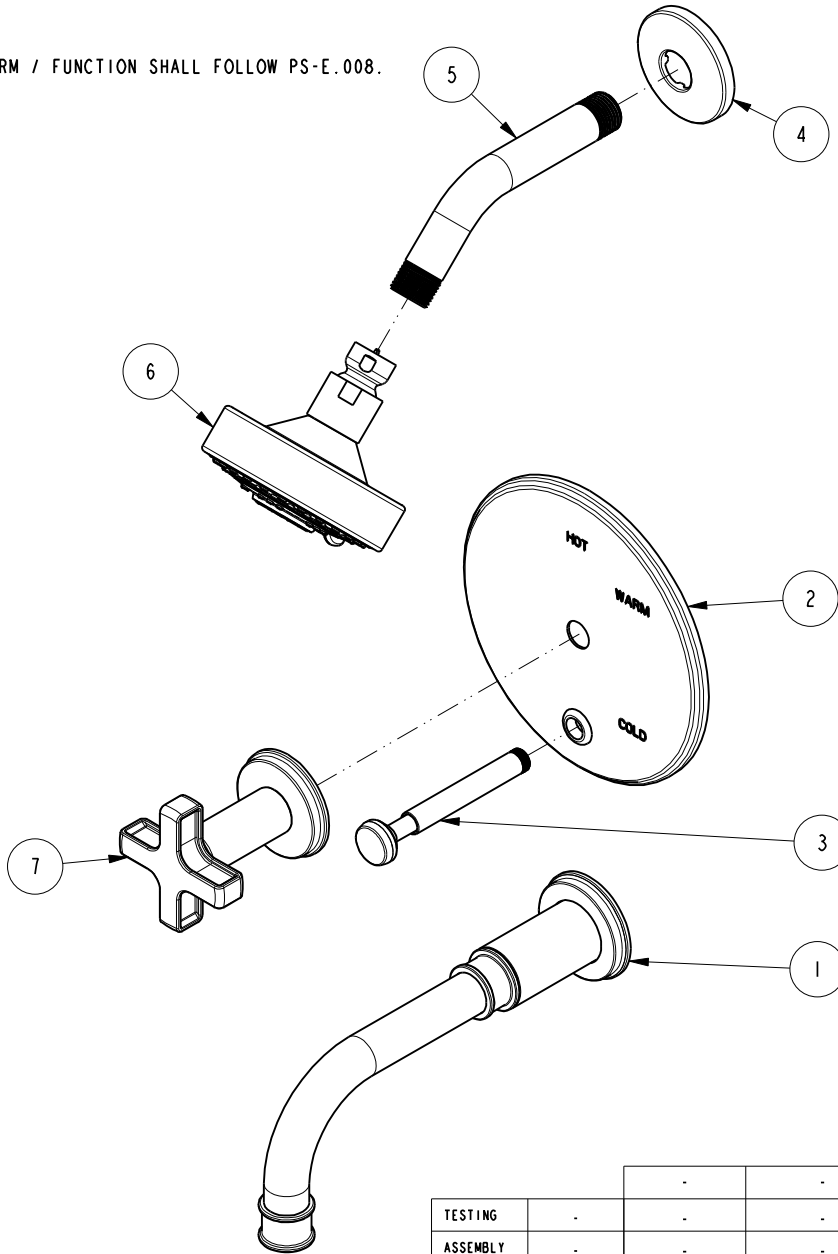


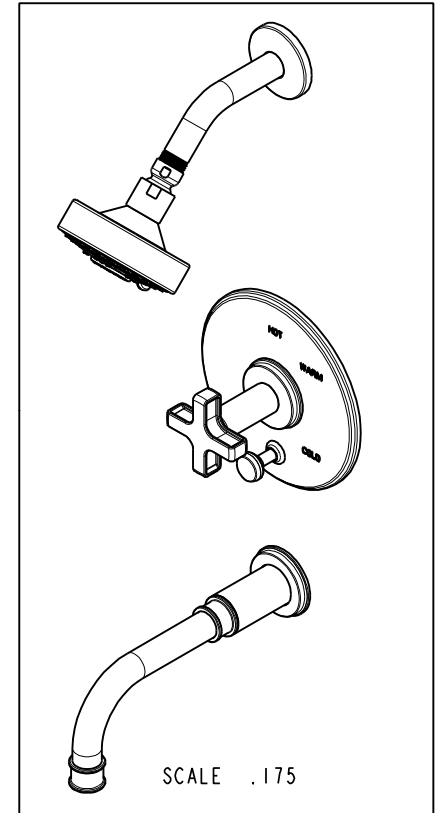
NOTES:

(NI) 1. FIT / FORM / FUNCTION SHALL FOLLOW PS-E.008.



BILL OF MATERIAL (CURRENT LEVEL)

ITEM	PT/ASSY	DESCRIPTION	TYPE	QTY.
1	3-643	WALL TUB SPOUT ASM	ASSEMBLY	1
2	2-438	COVERPLATE BP W/DIV ASM	ASSEMBLY	1
3	2-217	DIVERTER TRIM KIT	ASSEMBLY	1
4	206	SHOWER ARM FLANGE	PART	1
5	200	SHOWER ARM 6" BRASS	PART	1
6	2155	SHOWER HEAD, CONTEMP	ASSEMBLY	1
7	3-649	CROSS HANDLE W/ESC.	ASSEMBLY	1



TESTING	-	-	-
ASSEMBLY	-	-	-
PLATING	-	-	-
POLISHING	-	NEXT ASSY	USED ON
MACHINING	-	APPLICATION	
TOOLING FIXTURE #	REMOVE ALL BURRS AND SHARP EDGES		

UNITS ARE: INCHES [MM]  
 TOLERANCES ARE:  
 FRACTIONS DECIMALS ANGLES  
 ±1/16" .X ±.1 [2,5] ±1°  
 .XX ±.06 [1,5]

(X.XXX) DENOTES CRITICAL DIMS.  
 ALL THREADS ARE CRITICAL

DRAWN MANJUNATH 05/25/19  
 CHECKED JINSON 05/25/19  
 APPROVED J.M 05/25/19

**BRASSTECH** 2001 CARNEGIE AVE.  
 INCORPORATED SANTA ANA, CA 92705  
 (949) 417-5207

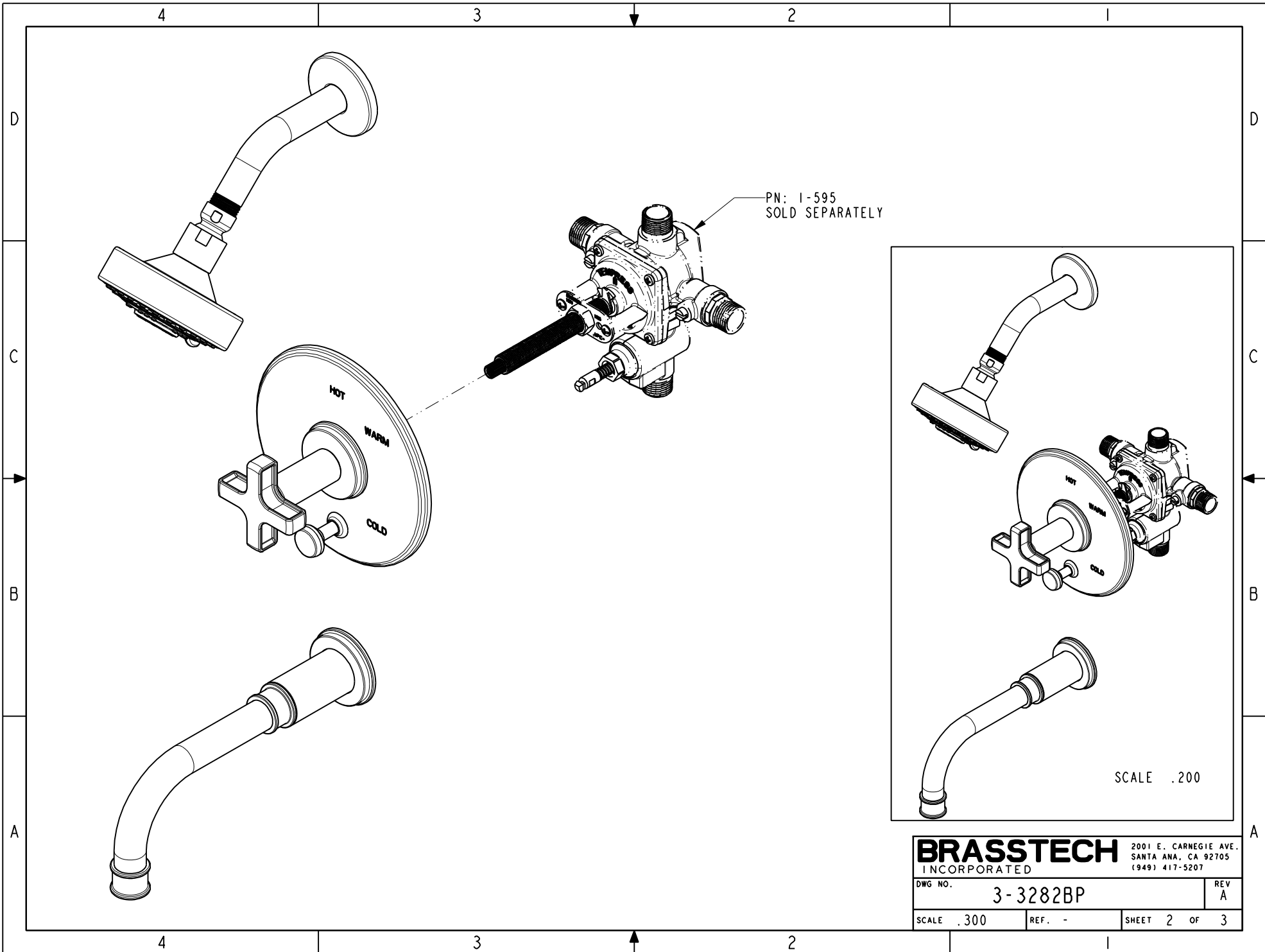
BP TUB & SHOWER TRIM SET

DWG NO. 3-3282BP REV A

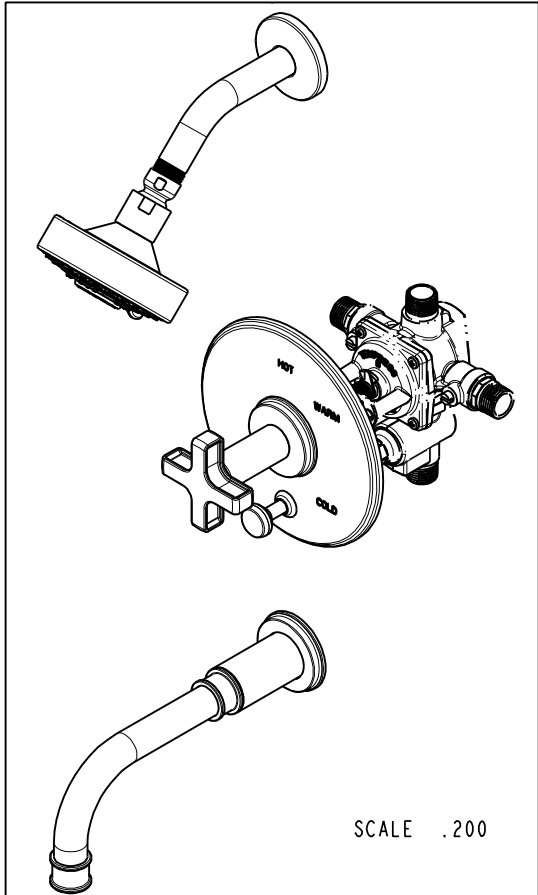
SCALE .275 REF. - SHEET 1 OF 3

COPYRIGHT 2005 BRASSTECH, INC.  
 THESE DRAWINGS AND THE DESIGNS  
 DEPICTED HEREIN ARE THE PROPRIETARY  
 PROPERTY OF BRASSTECH. ANY USE  
 OR REPRODUCTION IS SUBJECT TO  
 THE EXPRESS APPROVAL OF BRASSTECH.  
 UNAUTHORIZED USE IS STRICTLY  
 PROHIBITED. ALL RIGHTS RESERVED.

ZONE	REV	DESCRIPTION	DATE	APPROVED
-	-	EN-3876	05/25/19	J.M
-	-	EN-3478	03/13/19	J.M



PN: 1-595  
SOLD SEPARATELY




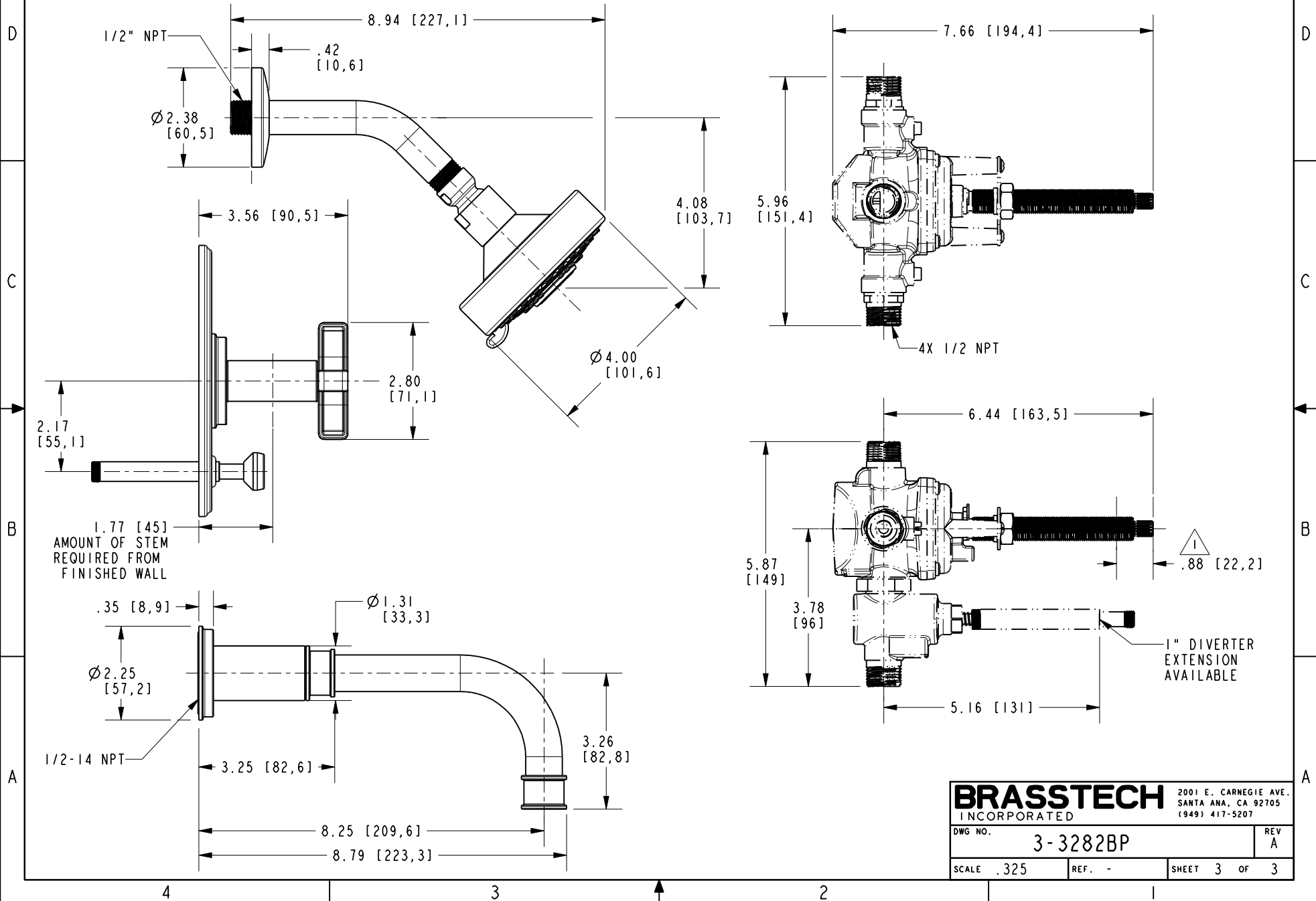
SCALE .200

**BRASSTECH** 2001 E. CARNEGIE AVE.  
INCORPORATED SANTA ANA, CA 92705  
(949) 417-5207

DWG NO.	3-3282BP	REV	A
SCALE	.300	REF.	-
		SHEET	2 OF 3

NOTE:

 CUT ALL THREAD 0.88" SHORTER THAN STEM.



<b>BRASSTECH</b>		2001 E. CARNEGIE AVE. SANTA ANA, CA 92705 (949) 417-5207
DWG NO.	3-3282BP	REV A
SCALE .325	REF. -	SHEET 3 OF 3