

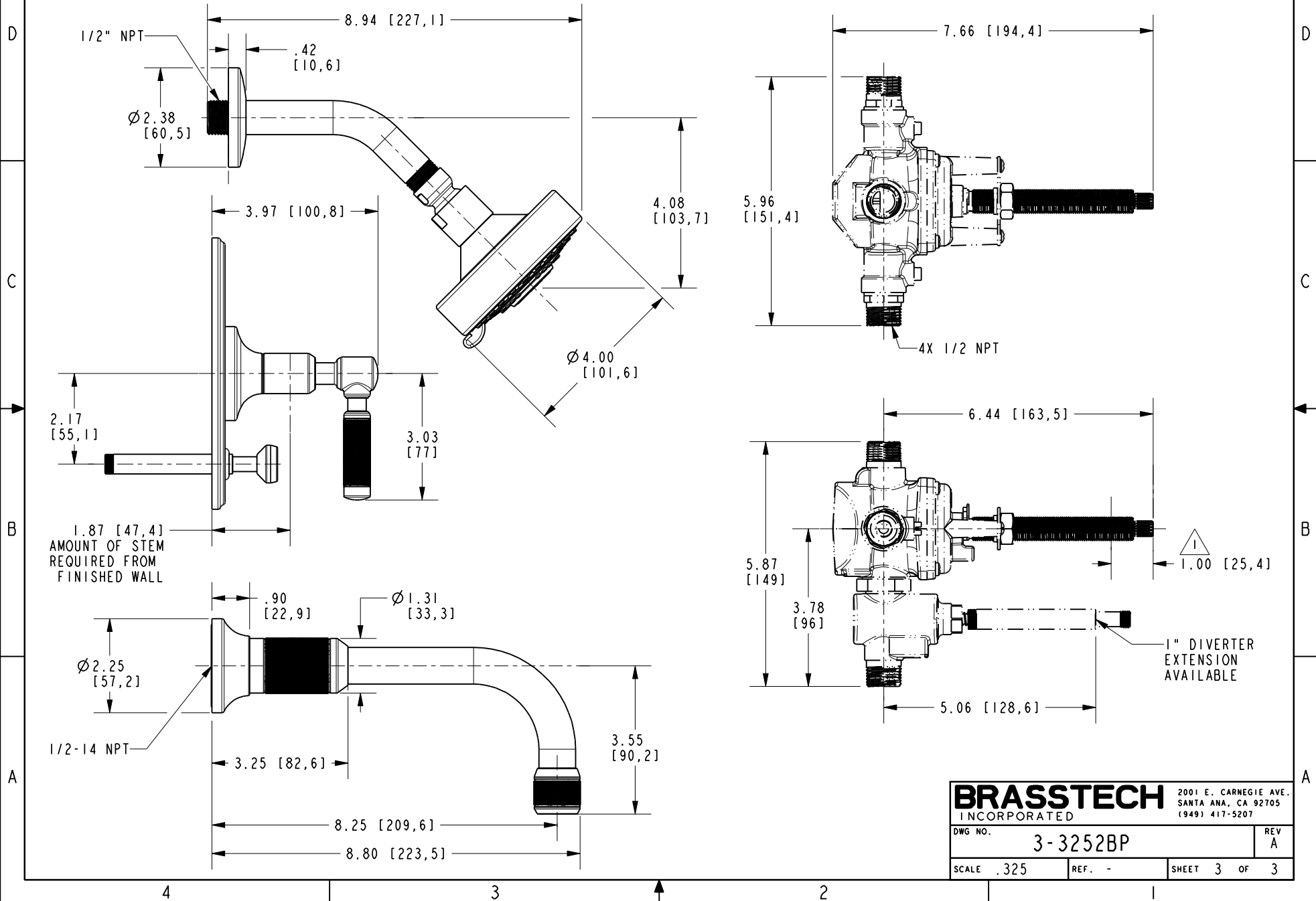
PN: 1-595
SOLD SEPARATELY

SCALE .200

BRASSTECH		2001 E. CARNEGIE AVE. SANTA ANA, CA 92705 (949) 417-5207	
INCORPORATED			
DWG NO.	3-3252BP		REV A
SCALE .300	REF. -	SHEET 2 OF 3	

NOTE:

1. CUT ALL THREAD 1.00" SHORTER THAN STEM.



BRASSTECH		2001 E. CARNEGIE AVE. SANTA ANA, CA 92705 (949) 417-5207
DWG NO.	3-3252BP	
SCALE	REF.	SHEET 3 OF 3
		REV A