
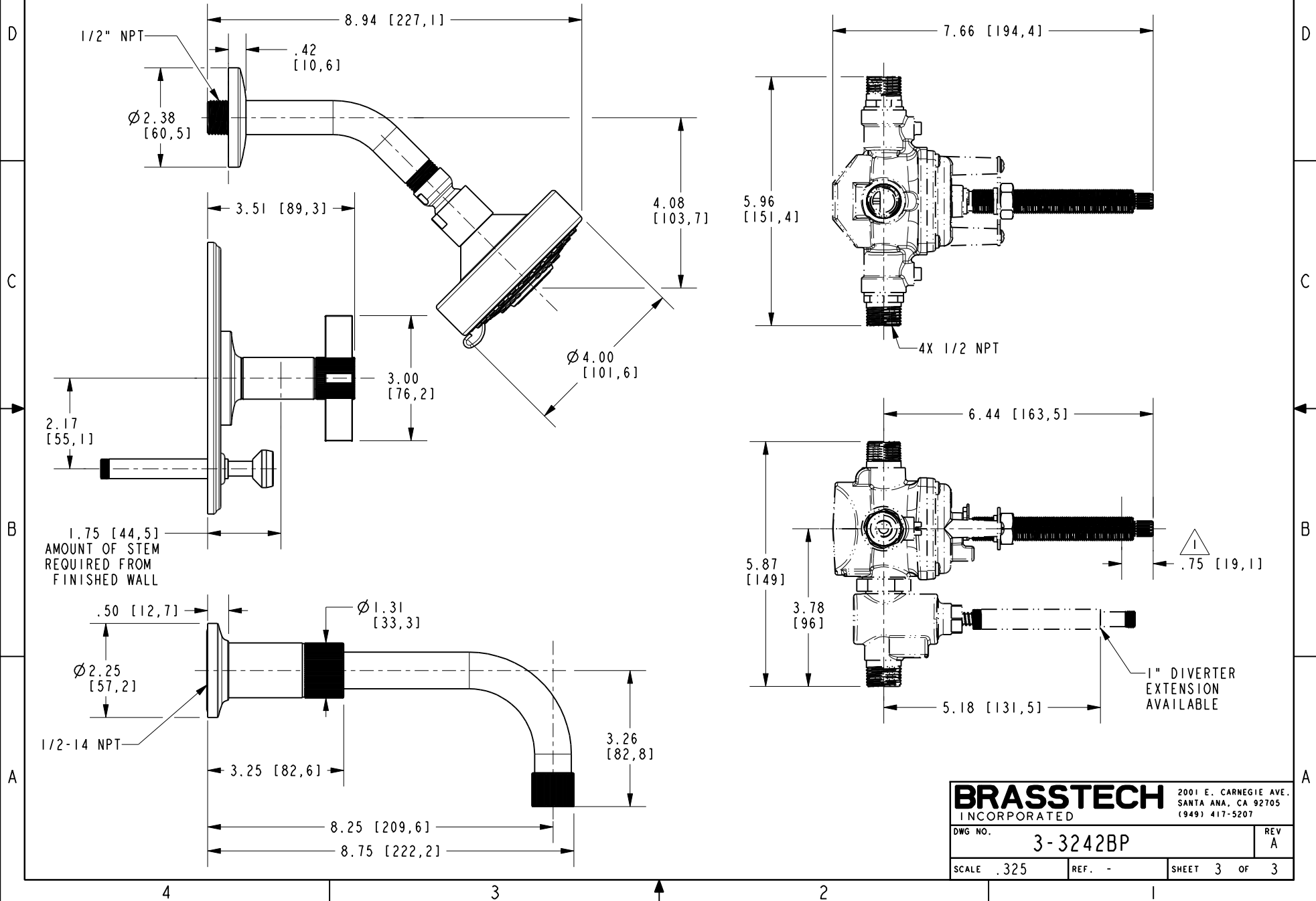


**BRASSTECH** 2001 E. CARNEGIE AVE.  
INCORPORATED SANTA ANA, CA 92705  
(949) 417-5207

DWG NO.	3-3242BP	REV	A
SCALE	.300	REF.	-
SHEET 2		OF 3	

NOTE:

 CUT ALL THREAD 0.75" SHORTER THAN STEM.



<b>BRASSTECH</b>		2001 E. CARNEGIE AVE. SANTA ANA, CA 92705 (949) 417-5207
DWG NO.	3-3242BP	REV A
SCALE .325	REF. -	SHEET 3 OF 3