
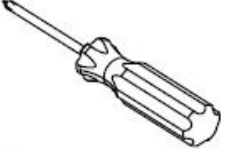



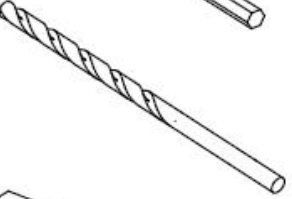

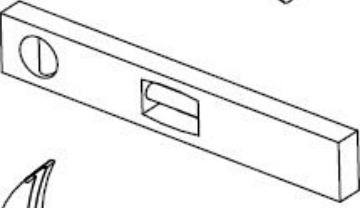

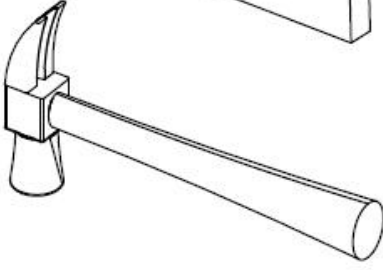

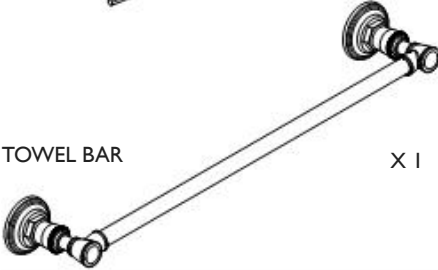


ITEMS INCLUDED		TOOLS REQUIRED	
DRY WALL ANCHOR		X 4	PHILLIPS SCREW DRIVER 
TILE ANCHOR		X 4	PEN / PENCIL 
#8 SCREW		X 4	1/4" (6 mm) DRILL 
MOUNTING BRACKET		X 2	LEVEL SET 
M6 X 1 SET SCREW		X 2	HAMMER 
3MM ALLOY STEEL HEX KEY		X 1	
TOWEL BAR		X 1	

INSTALLATION INSTRUCTIONS

40-02

TOWEL BAR

NEWPORT BRASS
Flawless Beauty. From Faucet to Finish.™

2001 CARNEGIE AVE, SANTA ANA CA 92705

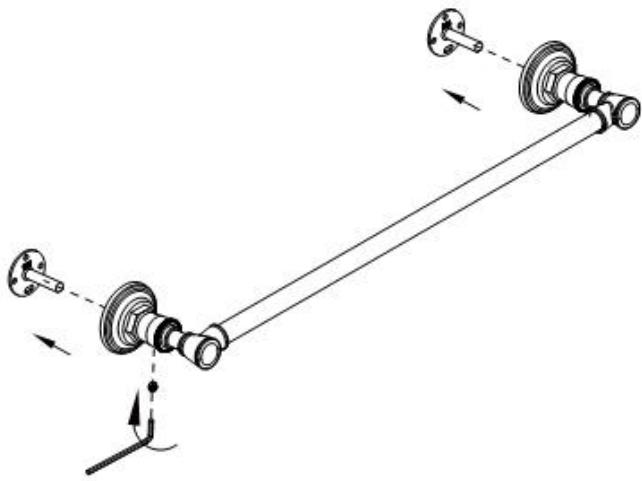
(949) 417-5207

(949) 417-5207

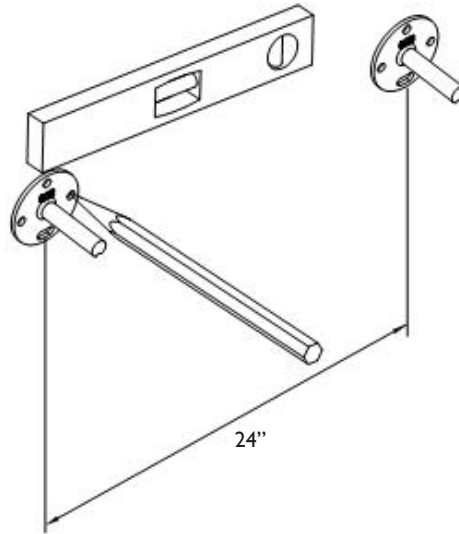
WWW.NEWPORTBRASS.COM

NWP-40-02
EN-2717
REV -

① REMOVE MOUNTING BRACKETS

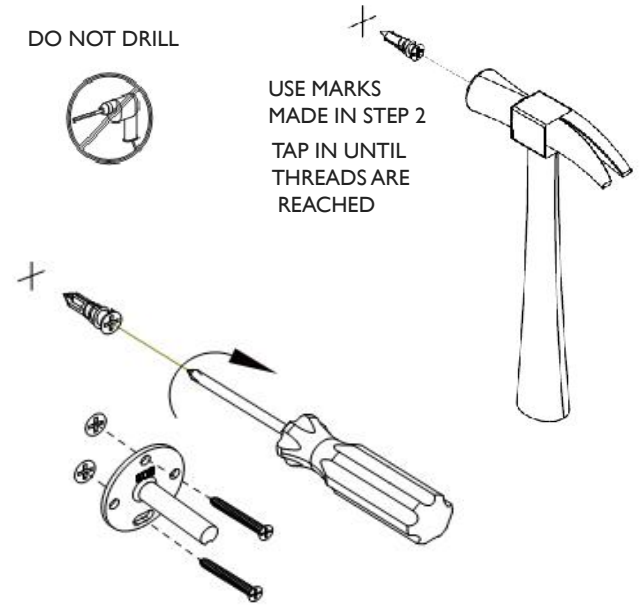


② ALIGN MOUNTING BRACKETS AND MARK LOCATION



③ DRY WALL INSTALLATION

DO NOT DRILL

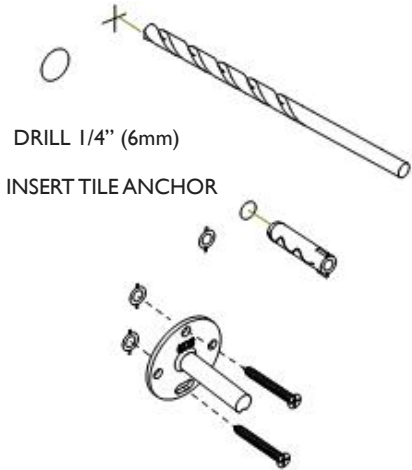


④ TILE OR SOLID WALL INSTALLATION

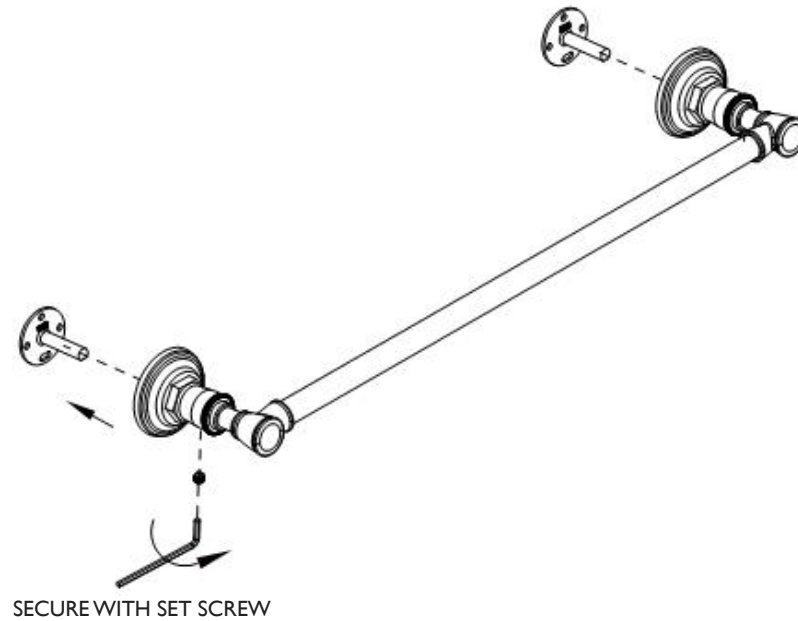
USE MARKS MADE IN STEP 2

DRILL 1/4" (6mm)

INSERT TILE ANCHOR



⑤ INSTALL PRODUCT ONTO BRACKETS



SECURE WITH SET SCREW