
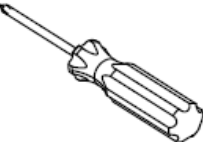

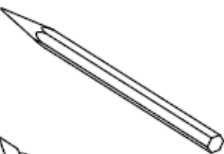

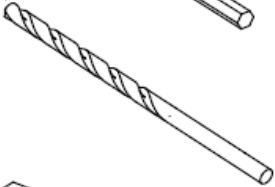

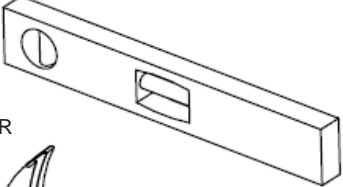

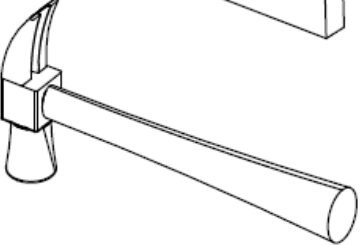

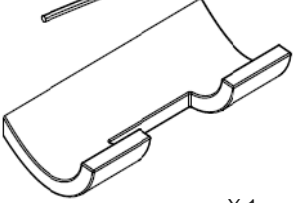
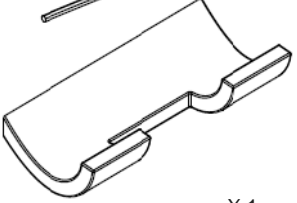


ITEMS INCLUDED	TOOLS REQUIRED
DRY WALL ANCHOR X 2 	PHILLIPS SCREW DRIVER 
TILE ANCHOR X 2 	PEN / PENCIL 
#8 SCREW X 2 	1/4" (6 mm) DRILL 
MOUNTING BRACKET X 1 	LEVEL SET 
1/4-28 SET SCREW X 1 	HAMMER 
1/8" HEX KEY X 1  	
DOUBLE ROBE HOOK X 1 	

SECANT

INSTALLATION INSTRUCTIONS

37-13

DOUBLE ROBE HOOK

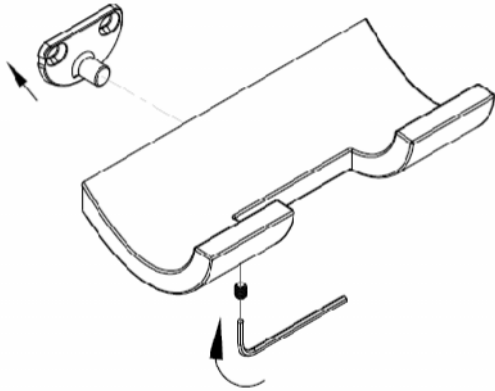
NEWPORT BRASS
 Flawless Beauty. From Faucet to Finish.™

2001 CARNEGIE AVE, SANTA ANA CA 92705

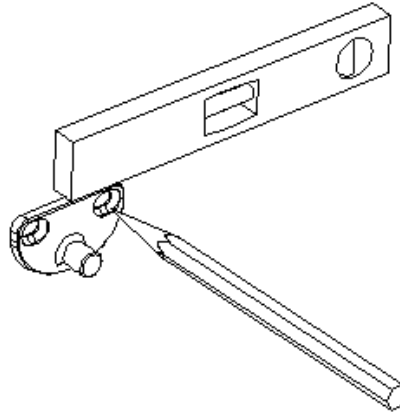
(949) 417-5207

WWW.NEWPORTBRASS.COM

① REMOVE MOUNTING BRACKET



② ALIGN MOUNTING BRACKET AND MOUNT LOCATION



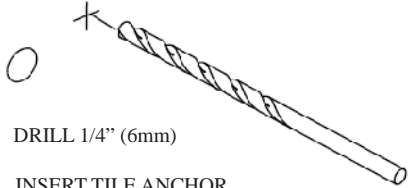
③ DRY WALL INSTALLATION

DO NOT DRILL



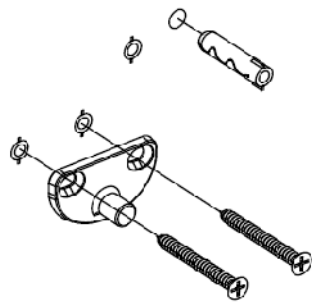
④ TILE OR SOLID WALL INSTALLATION

USE MARKS MADE IN STEP 2

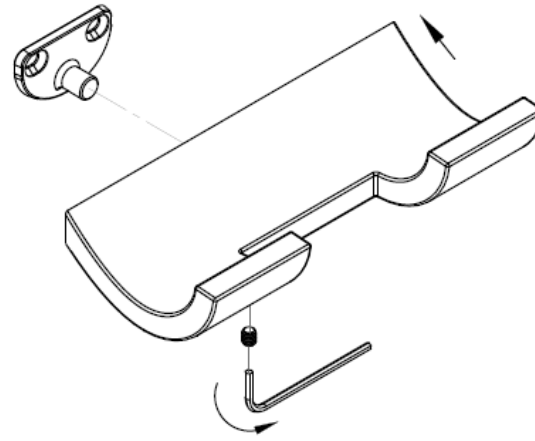


DRILL 1/4" (6mm)

INSERT TILE ANCHOR



⑤ INSTALL PRODUCT ONTO BRACKET



SECURE WITH SET SCREW