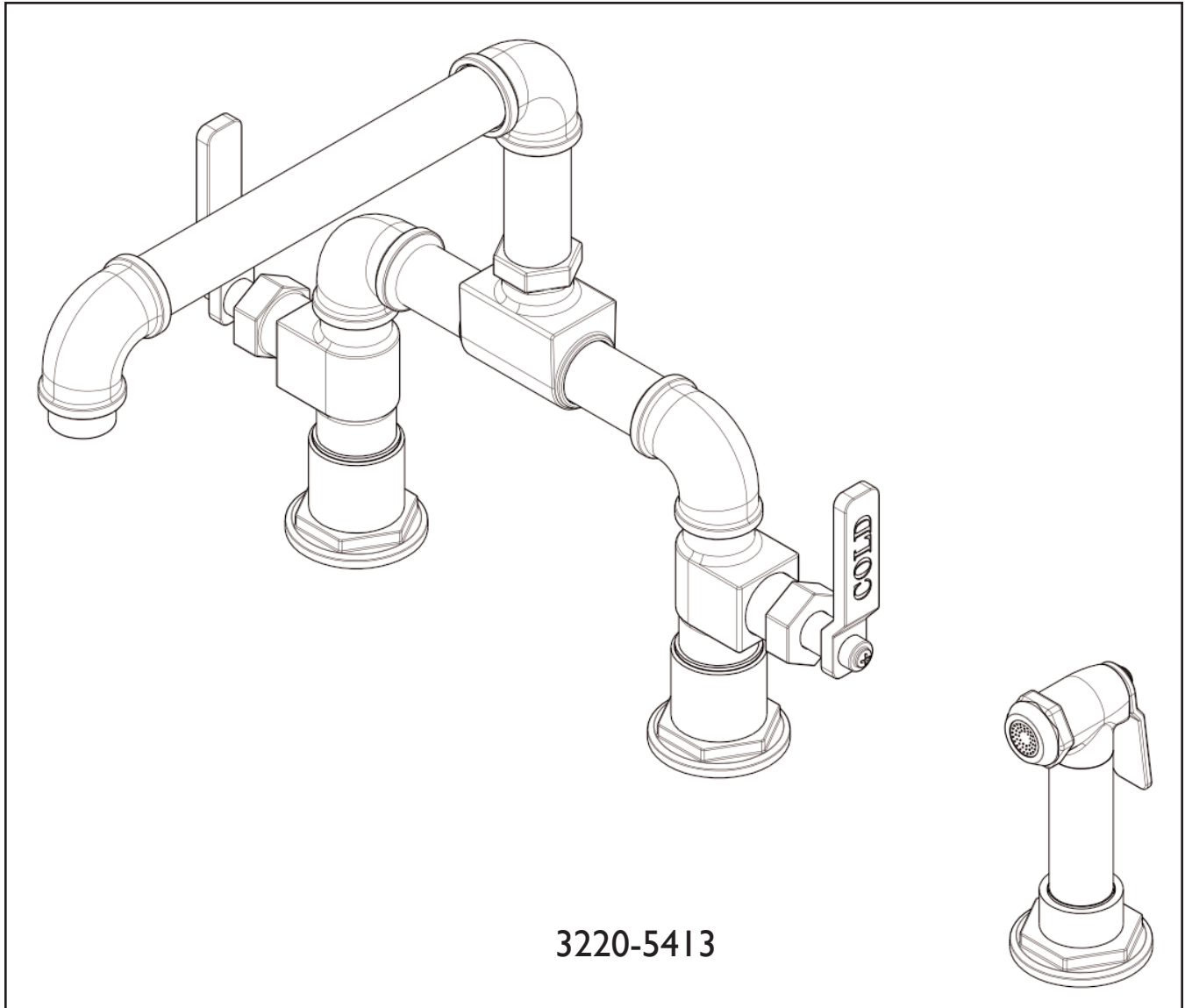


**INSTALLATION INSTRUCTIONS
KITCHEN BRIDGE FAUCET
WITH SIDE SPRAY
Model No's: 3220-5413**

NEWPORT BRASS.
Flawless Beauty. From Faucet to Finish.™



**Congratulations on the purchase
of this Newport Brass product,
an excellent choice, that will give you
years of quality service and enhance
the look and style of your home.**

Recommended Installation by a Professional Plumbing Contractor

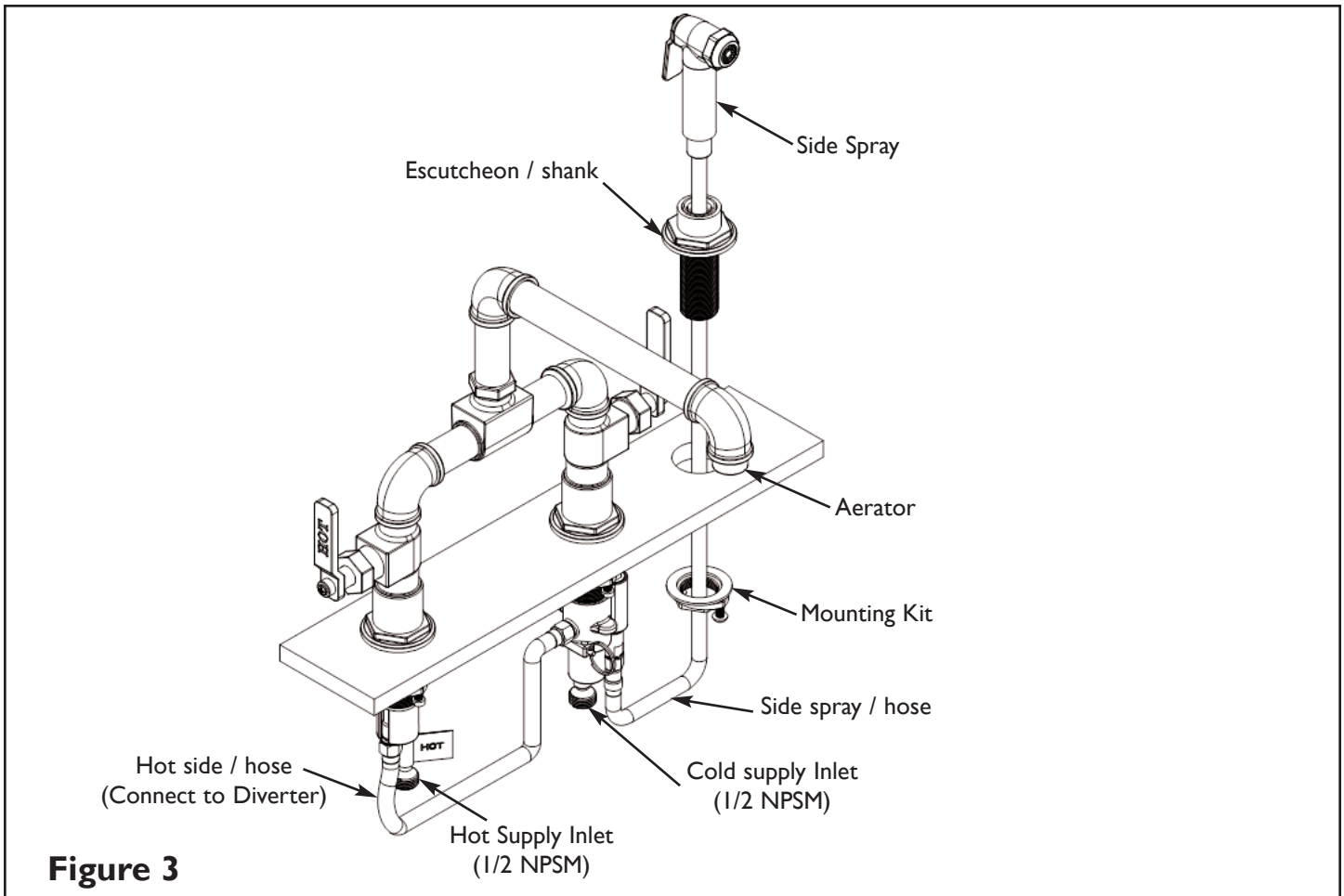
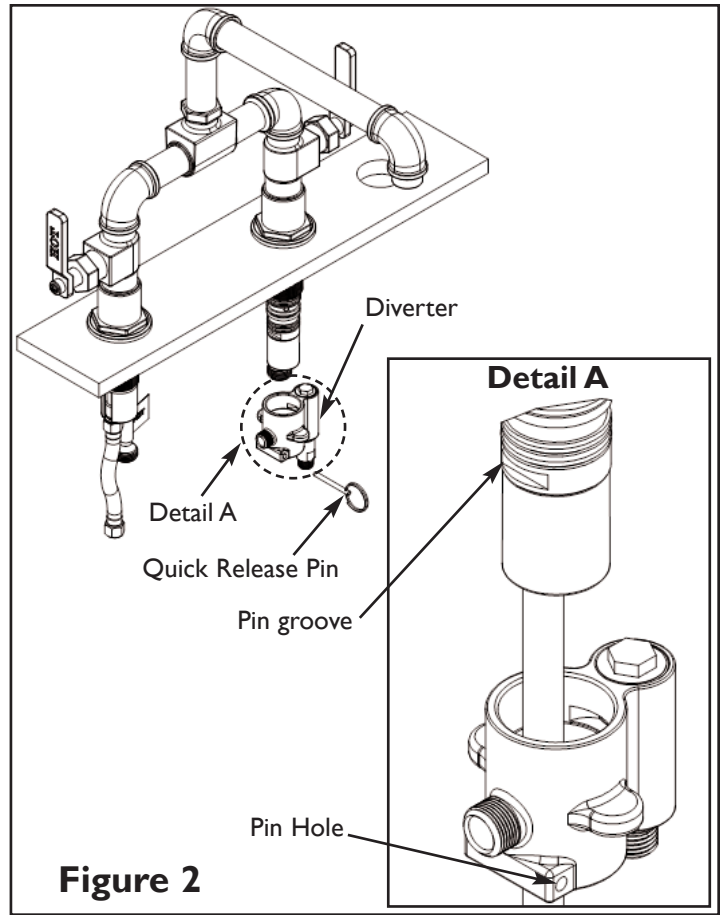
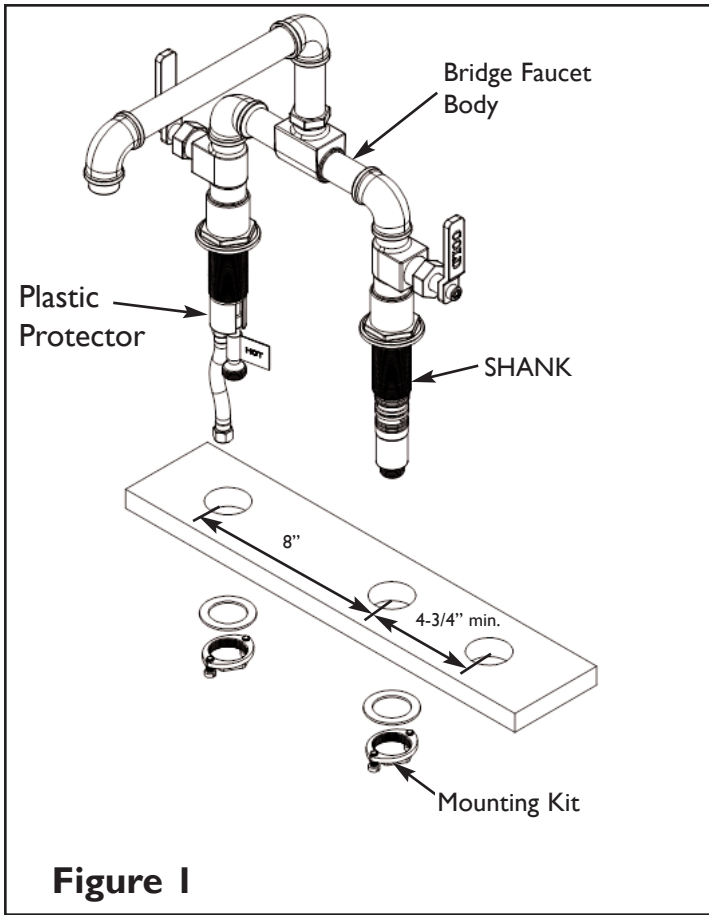
Note: The use of petroleum base plumbers putty on our products will nullify the warranty. We recommend the use of clear silicone sealing materials. Use Plumbers tape or equivalent to seal all threaded joints. If mounting faucet to stainless steel rim, an under-mount support, (e.g. wood, appropriate size x 1/2" thick), should be utilized.

Recommended deck hole \varnothing 1-3/8". Drill holes in mounting surface, center spacing for bridge faucet to be 8" and the side spray hole to be a minimum of 4-3/4" away from the nearest mounting hole of faucet.

1. Do not remove white PLASTIC PROTECTOR. See **Figure 1**.
2. Place bridge faucet BODY onto mounting surface. Secure both sides in place with MOUNTING KIT. See **Figure 1**.
3. Attach the DIVERTER to cold side SHANK as follows: Reference **Figure 2**.
 - a. Rotate and align the pin groove of SHANK and the pin hole in DIVERTER.
 - b. Secure position by pushing QUICK RELEASE PIN through the pin hole and groove. See **Figure 2**.
 - c. Connect hot side HOSE to DIVERTER. See **Figure 3**.
4. Place the SIDE SPRAY ESCUTCHEON with SHANK through mounting surface and secure in place with MOUNTING KIT. See **Figure 3**.
5. Drop SIDE SPRAY hose through ESCUTCHEON and thread onto DIVERTER. See **Figure 3**.
6. Use 1/2 NPSM hoses (Not included) to Connect to water supply.
7. Remove AERATOR from spout, turn on water supply, and flush valves until water is clear. Check for leaks and make any final adjustments required. Re-attach AERATOR to the spout.

Important:

1. Faucet can operate without side spray by replacing the side spray connection to cold block with 1/4-18 NPMS or 1/4-18 NPT thread cap.



Adjust Handle Alignment:

1. In **Figure 4**, ensure cartridges in full closed position and check **HANDLE** alignment. If the **HANDLE** is not correctly aligned, temporarily remove the **CAP**, **HANDLE** and rotate **CARTRIDGE ADAPTER** one tooth clockwise, reassemble the **HANDLE** and recheck alignment. Repeat until the **HANDLE** is aligned and secure the **HANDLE** in place with **ADAPTER SCREW**.
2. Reattach the **CAP**.

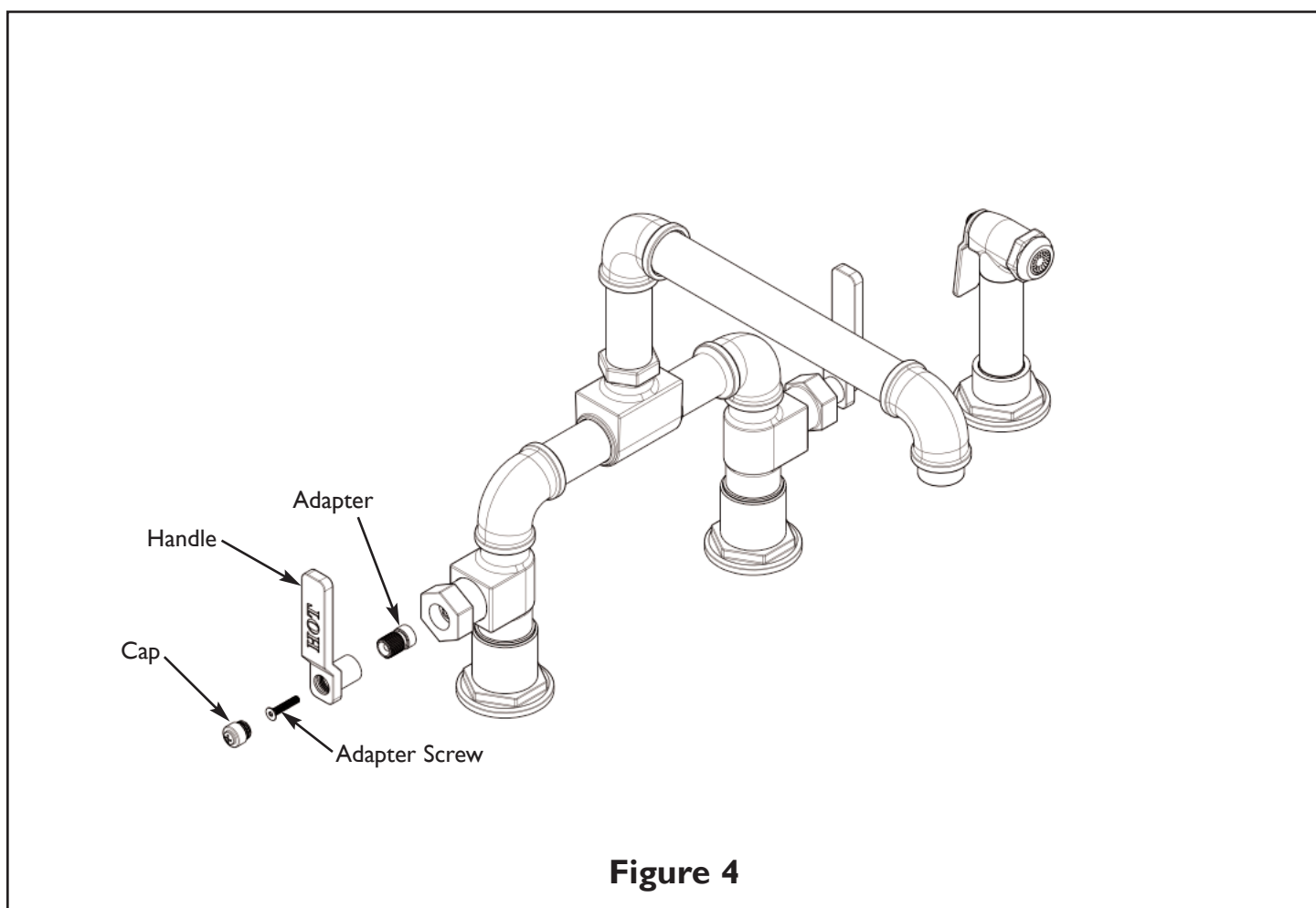


Figure 4