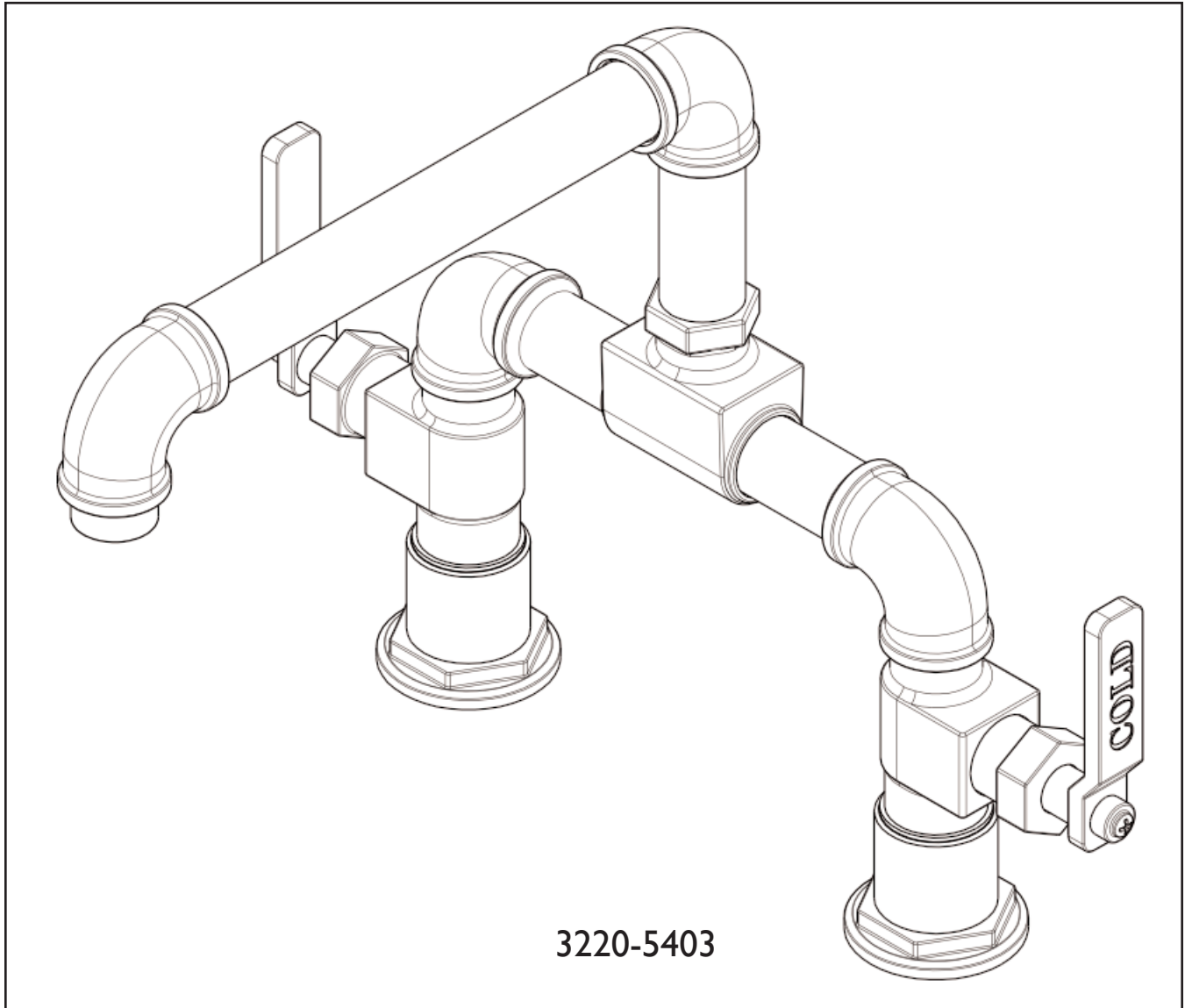


INSTALLATION INSTRUCTIONS KITCHEN BRIDGE SET

Model No's: 3220-5403

NEWPORT BRASS®

Flawless Beauty. From Faucet to Finish.™



**Congratulations on the purchase
of this Newport Brass product,
an excellent choice, that will give you
years of quality service and enhance
the look and style of your home.**

Recommended Installation by a Professional Plumbing Contractor

Note: The use of petroleum base plumbers putty on our products will nullify the warranty. We recommend the use of clear silicone sealing materials. Recommended deck hole $\text{\O}1\text{-}3/8\text{'}$.

1. Do not remove white PLASTIC PROTECTOR. See **Figure 1**.
2. Place bridge faucet BODY onto mounting surface. Secure both sides in place with MOUNTING KIT. See **Figure 1**.
3. Use 1/2 NPSM hoses (Not included) to Connect to water supply.
4. Remove AERATOR from spout, turn on water supply, and flush both valves until water is clear. Check for leaks and make any final adjustments required. Re-attach AERATOR to the spout.

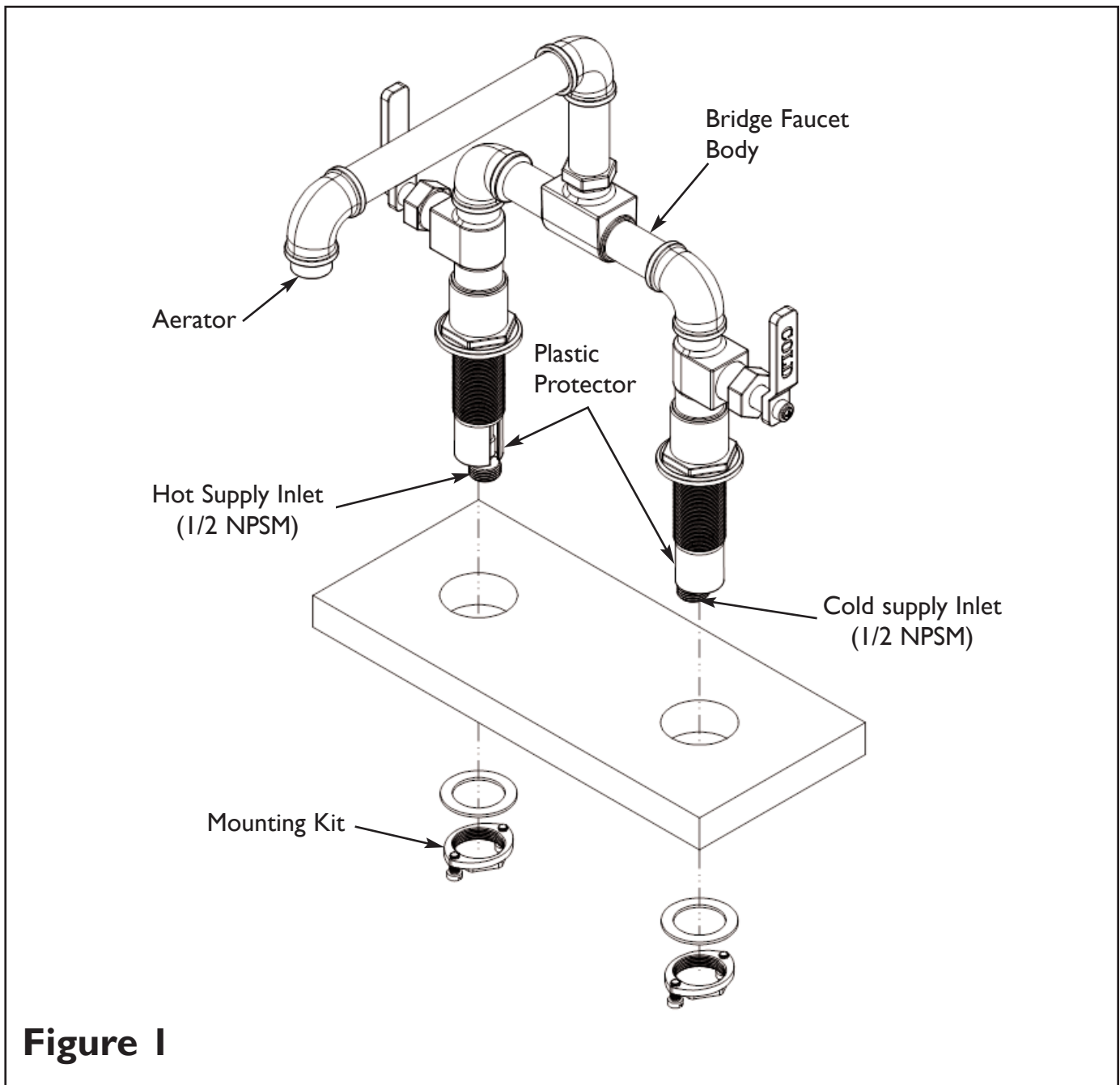


Figure 1