
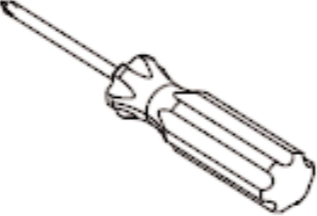

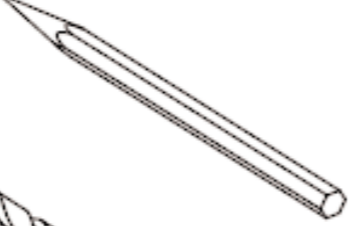

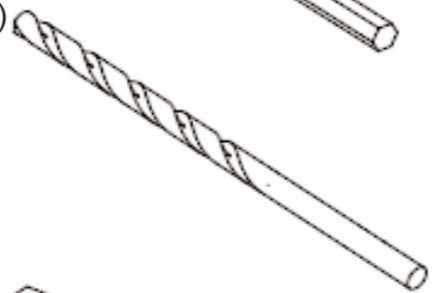

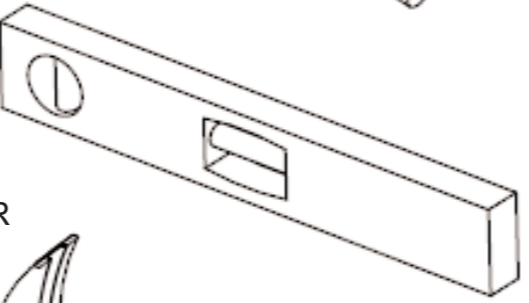

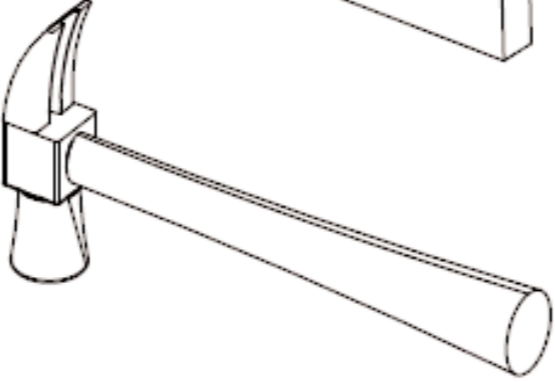




| ITEMS INCLUDED | | TOOLS REQUIRED | |
|--------------------------|---|-----------------------|--|
| DRY WALL ANCHOR |  X 2 | PHILLIPS SCREW DRIVER |  |
| TILE ANCHOR |  X 2 | PEN / PENCIL |  |
| #8 SCREW |  X 2 | 1/4" (6mm) DRILL |  |
| MOUNTING BRACKET |  X 1 | LEVEL SET |  |
| M6 X 6 SET SCREW |  X 1 | HAMMER |  |
| 3 MM ALLOY STEEL HEX KEY |  X 1 | | |
| TOWEL RING |  X 1 | | |

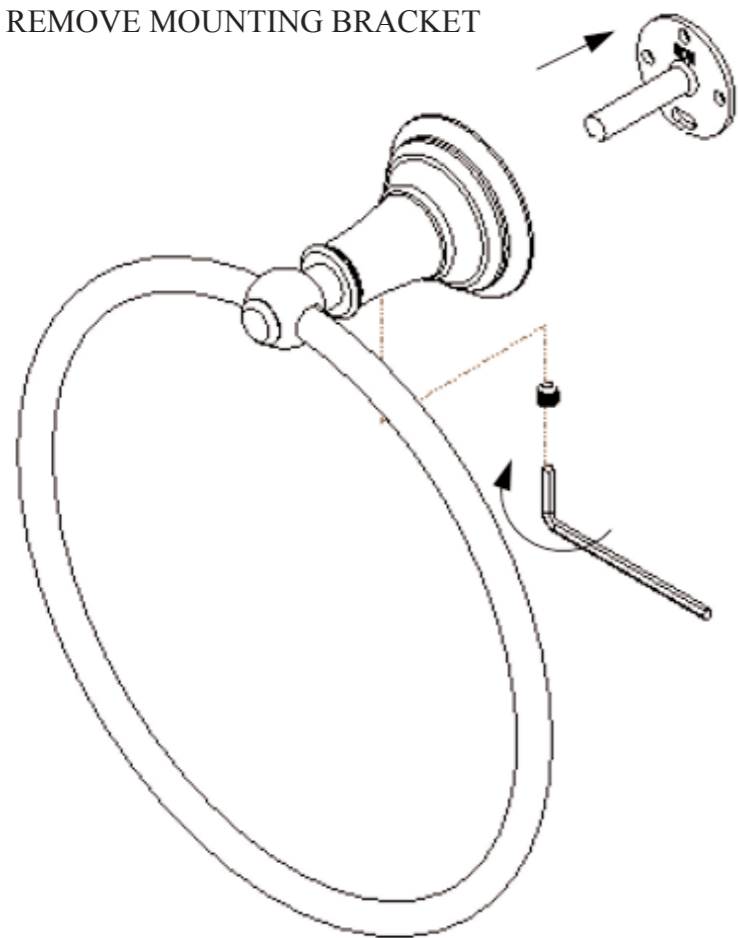
INSTALLATION INSTRUCTIONS

TOWEL RING

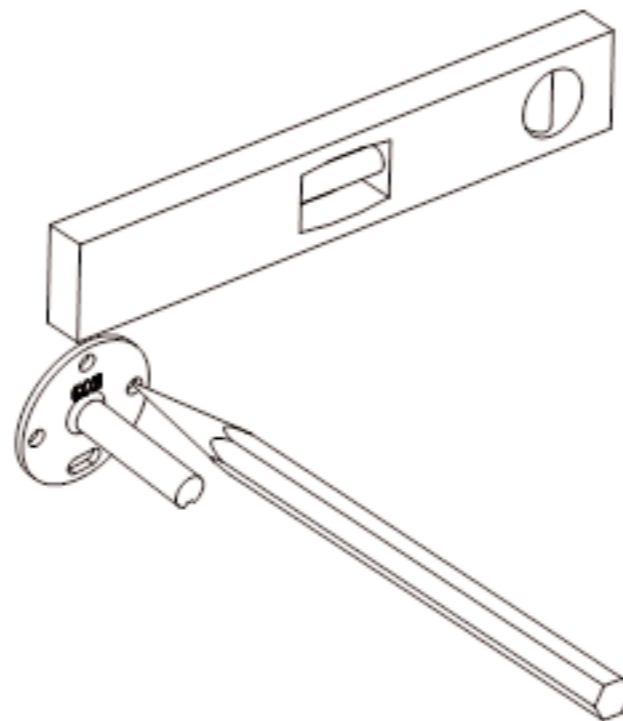


2001 CARNEGIE AVE, SANTA ANA CA 92705
 (949) 417-5207
 WWW.NEWPORTBRASS.COM

① REMOVE MOUNTING BRACKET

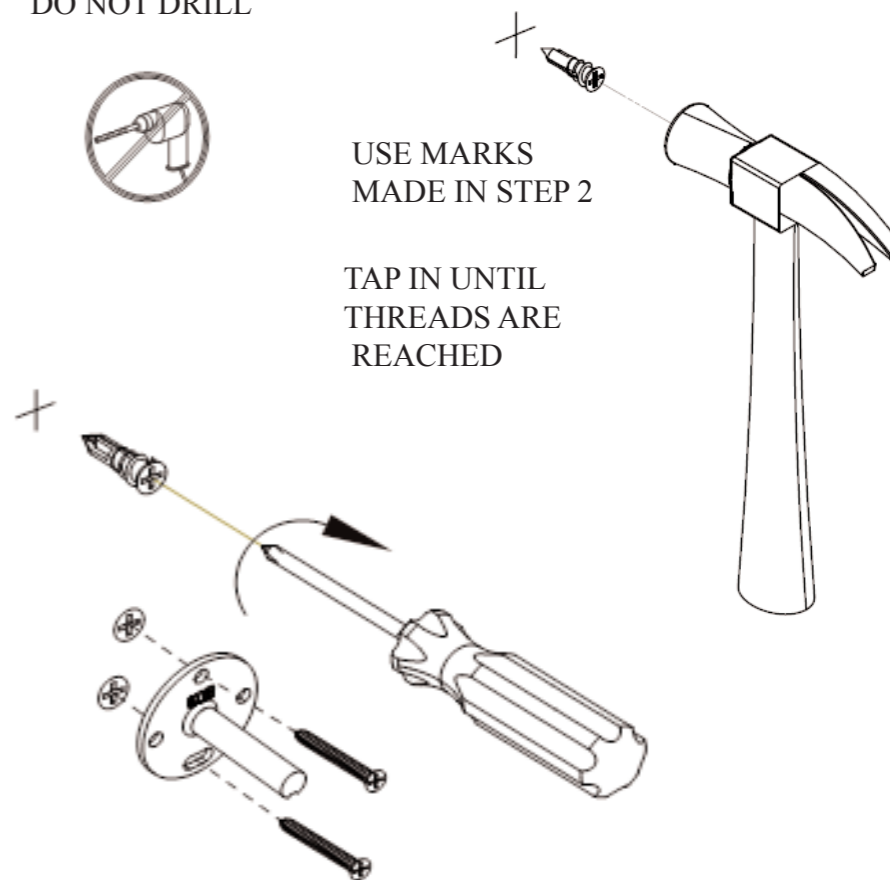


② ALIGN MOUNTING BRACKET AND MARK LOCATION

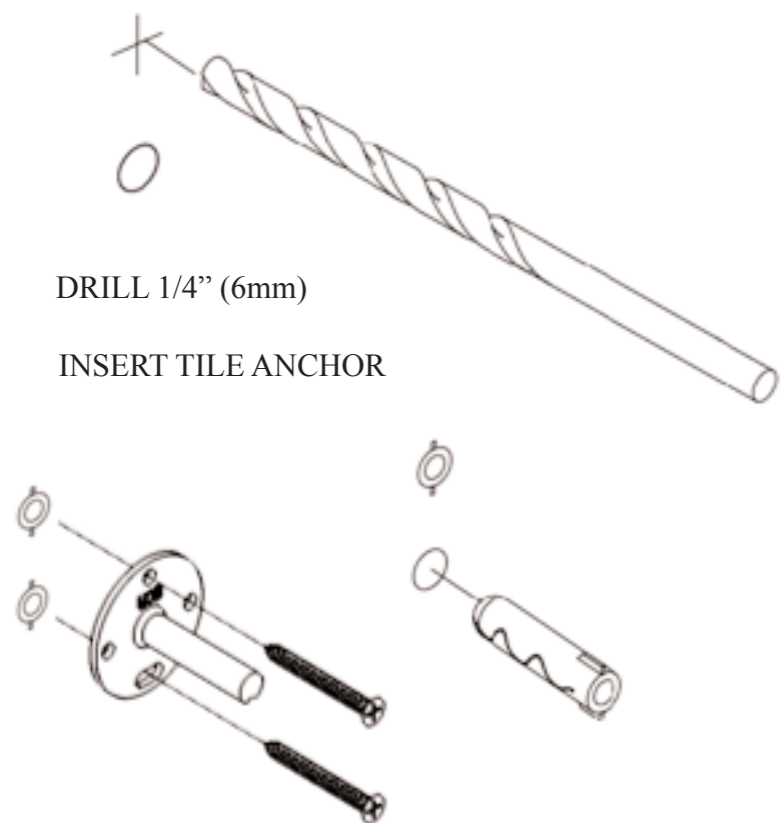


③ DRY WALL INSTALLATION

DO NOT DRILL



④ TILE OR SOLID WALL INSTALLATION
USE MARKS MADE IN STEP 2



⑤ INSTALL PRODUCT ONTO BRACKET

