

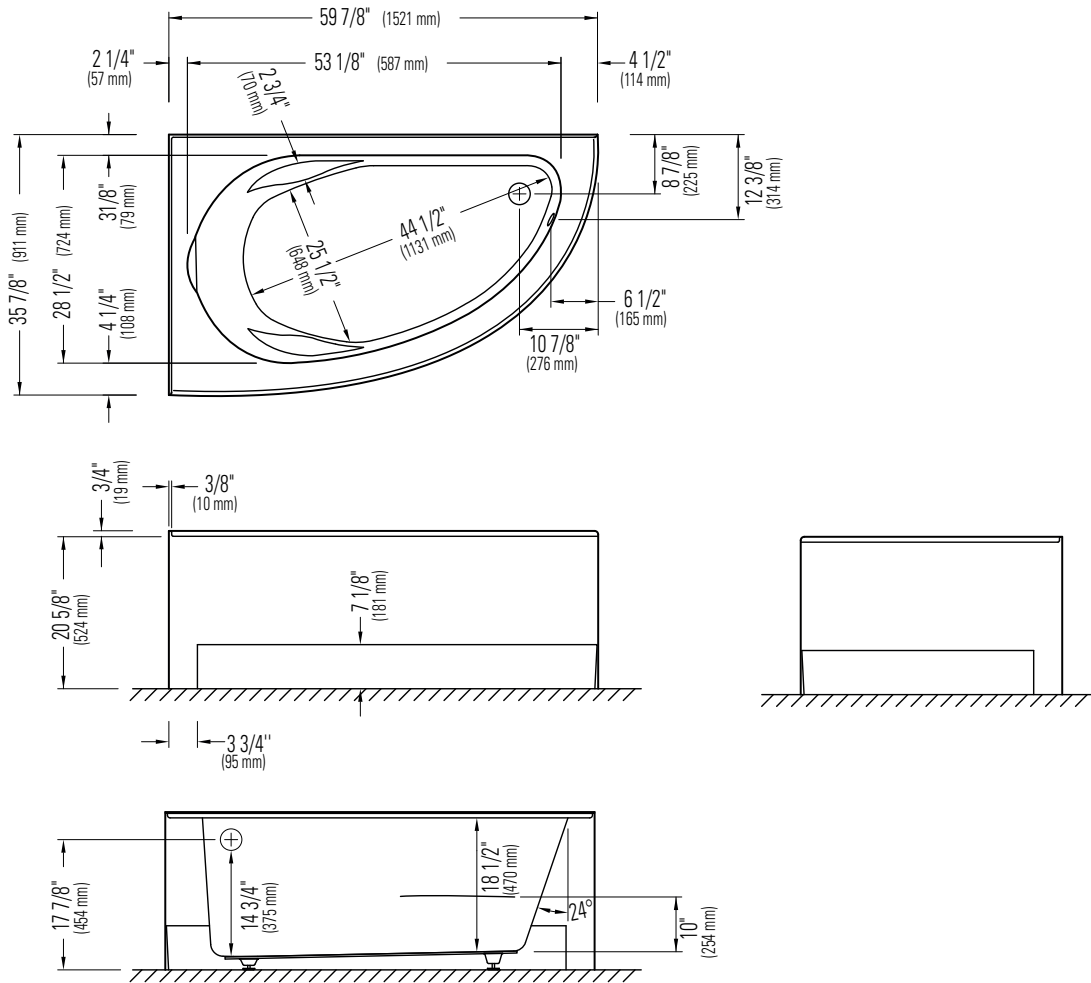


Produits Neptune

# WIND

## RIGHT DRAIN

### Bathtub



\*A bathtub fitted with back jets can cause the pump to protrude by approximately 6" from the overall dimension.

\*\*All dimensions are approximate and subject to change without notice. Please refer to the installation guide before beginning the installation