

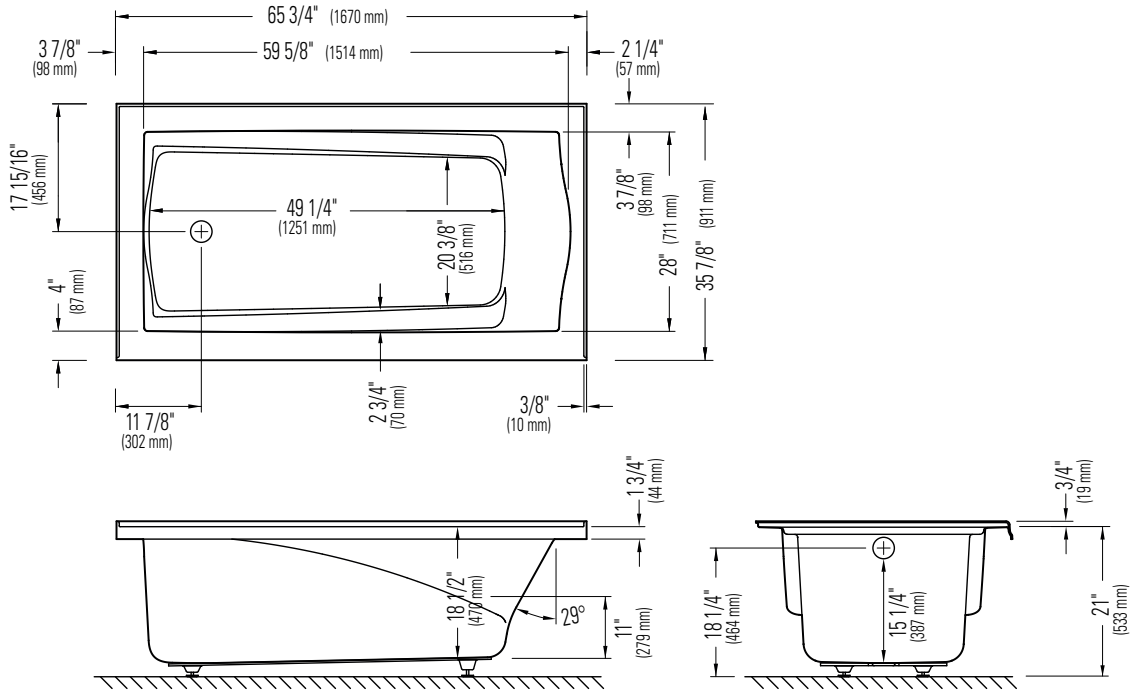


Produits Neptune

# DELIGHT 3666

LEFT DRAIN WITH INTEGRATED TILING FLANGE

Bathtub



\*A bathtub fitted with back jets can cause the pump to protrude by approximately 3" from the overall dimension.

\*\*All dimensions are approximate and subject to change without notice. Please refer to the installation guide before beginning the installation