

# TAO 6032

59 3/4" x 31 1/2" x 22 3/8" Bath



COLOR(S)	DRAIN POSITION(S)	SIZE(S)
White	Center	60 x 32
	End	66 x 36
		72 x 36

## FEATURES

- Made of thermoformed acrylic and reinforced with fiberglass
- High gloss finish is resistant to dulling, scratching and fading
- Drop-in installation
- Available in end drain configuration
- Comes with leveling legs for ease of installation
- Available with massage systems for outmost relaxation
- Drain and overflow included
- Contemporary style that complements any bathroom
- 10-year limited warranty provides peace of mind

## ATTRIBUTES

- Installation Type : Drop-In
- Above-the-Floor Rough : No
- Material : Acrylic
- Residential Warranty : 10
- Commercial Warranty : 10 Years

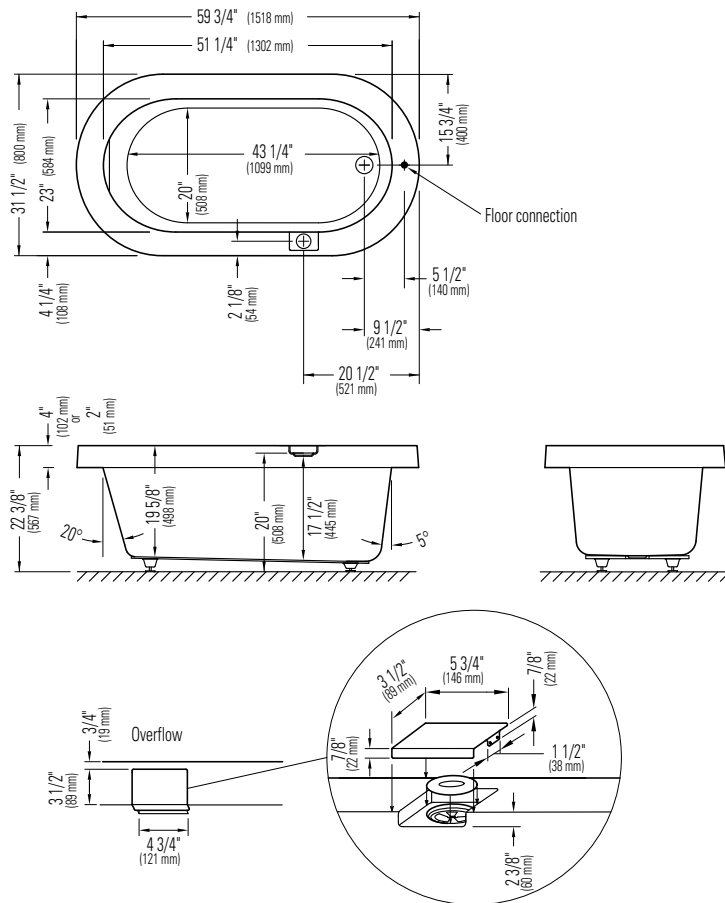




Produits Neptune

## TAO 3260

Bathtub



\*A bathtub fitted with back jets can cause the pump to protrude by approximately 3" from the overall dimension.

\*\*All dimensions are approximate and subject to change without notice. Please refer to the installation guide before beginning the installation



# TECHNICAL SPECIFICATIONS

59 3/4" x 31 1/2" x 22 3/8" Bath

## DIMENSIONS

<b>PRODUCT LENGTH</b>	<b>BATHING WELL LENGTH</b>	<b>PRODUCT WIDTH</b>	<b>BATHING WELL WIDTH</b>	<b>PRODUCT HEIGHT</b>
59 3/4"	43 1/4"	31 1/2"	20"	22 3/8"
<b>DEEP SUMP HEIGHT</b>	<b>DECK WIDTH</b>	<b>WEIGHT</b>	<b>SHIPPING LENGTH</b>	<b>SHIPPING WIDTH</b>
17 1/2"	4 1/4"	62 Lbs	63"	33 1/4"
<b>SHIPPING HEIGHT</b>				
23"				

Project: \_\_\_\_\_

Contractor: \_\_\_\_\_

Representative: \_\_\_\_\_

Date: \_\_\_\_\_

Tel: \_\_\_\_\_

Notes: \_\_\_\_\_

\_\_\_\_\_

\_\_\_\_\_