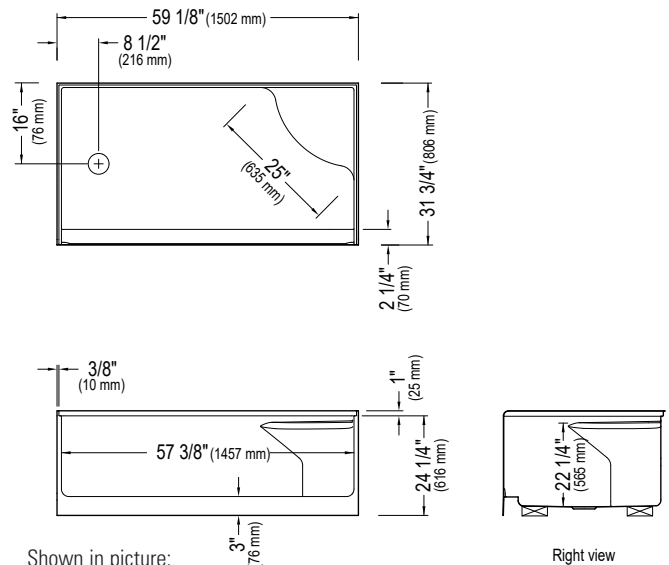




SHOWER BASES KOYA

59 1/4" x 31 5/8" x 25 3/4"



Shown in picture:
KOYA shower base with the EXALT 60 door.

GENERAL OPTIONS

Acrylic Colors: White,

DOORS

AZELIA 60 (Front panels only)

Chrome/Clear

EXALT 60 (Front panels only)

Chrome/Clear

EXALT 60 BLACK (Front panels only)

Chrome/Clear

SELLA 60 (Front panels only)

Chrome/Clear

PRODUCT DESCRIPTION:

Contemporary style

Integrated tiling flange

Acrylic thermoformed and reinforced with fiberglass

Right or left seat (22 1/4" high)

Right or left drain side

5 days

BOX SIZE:

62" x 34" x 28"

NET WEIGHT:

67 lbs

GROSS WEIGHT:

84 lbs



Certification ECORESPONSIBLE

First manufacturer of bathroom products in North America to be certified ecoresponsible.



Produits Neptune

6835, Picard street, Saint-Hyacinthe (Quebec) J2S 1H3

Phone: (450) 773-7058 - produitsneptune.com

REV: 11-20

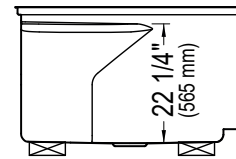
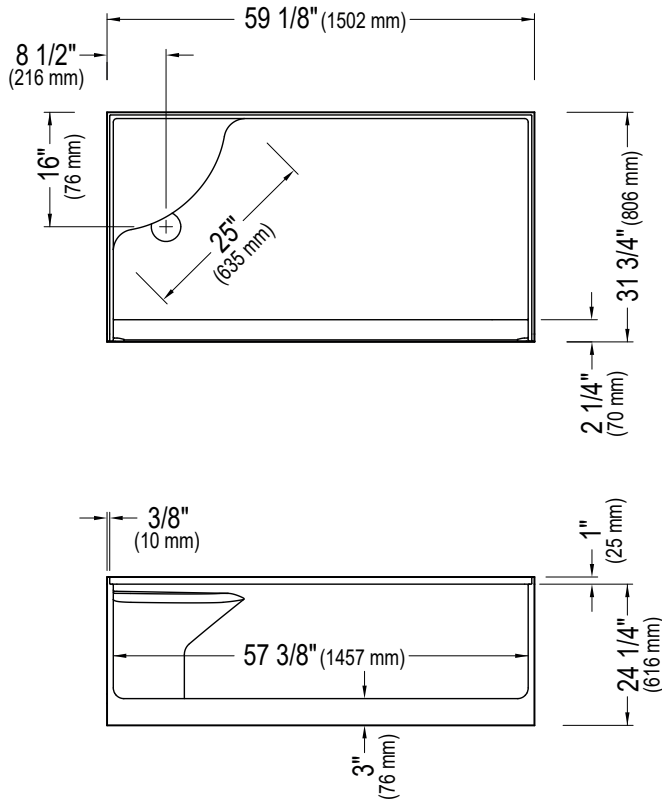


Produits Neptune

KOYA

LEFT DRAIN WITH LEFT HAND SEAT

Shower Base



Left view

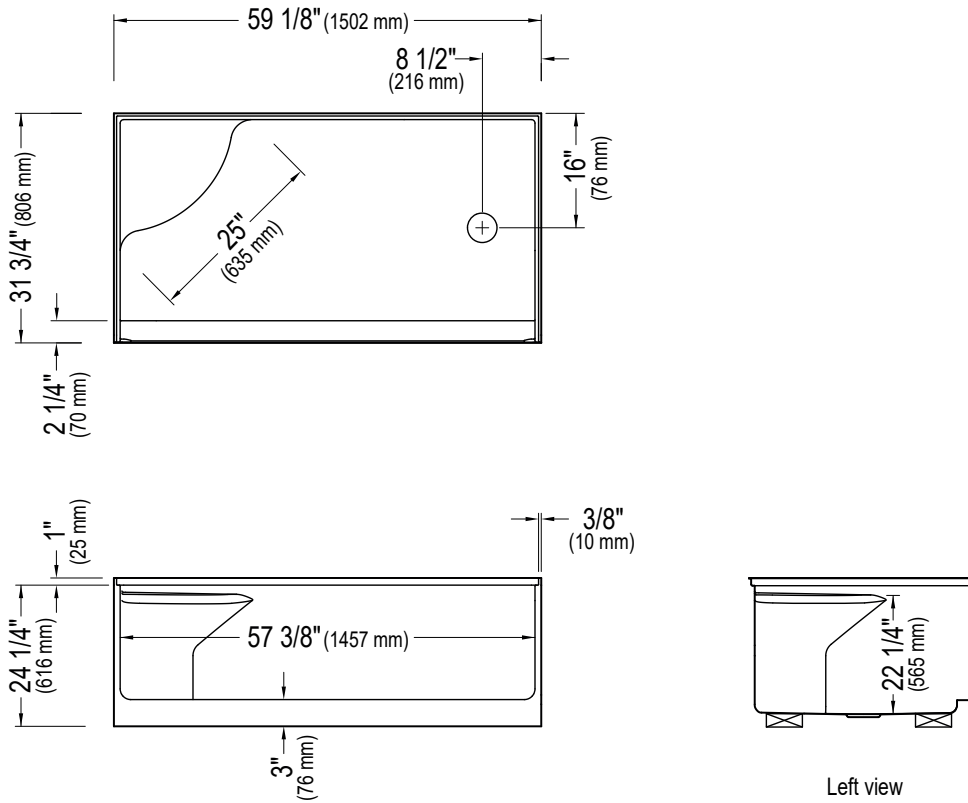


Produits Neptune

KOYA

RIGHT DRAIN WITH LEFT HAND SEAT

Shower Base



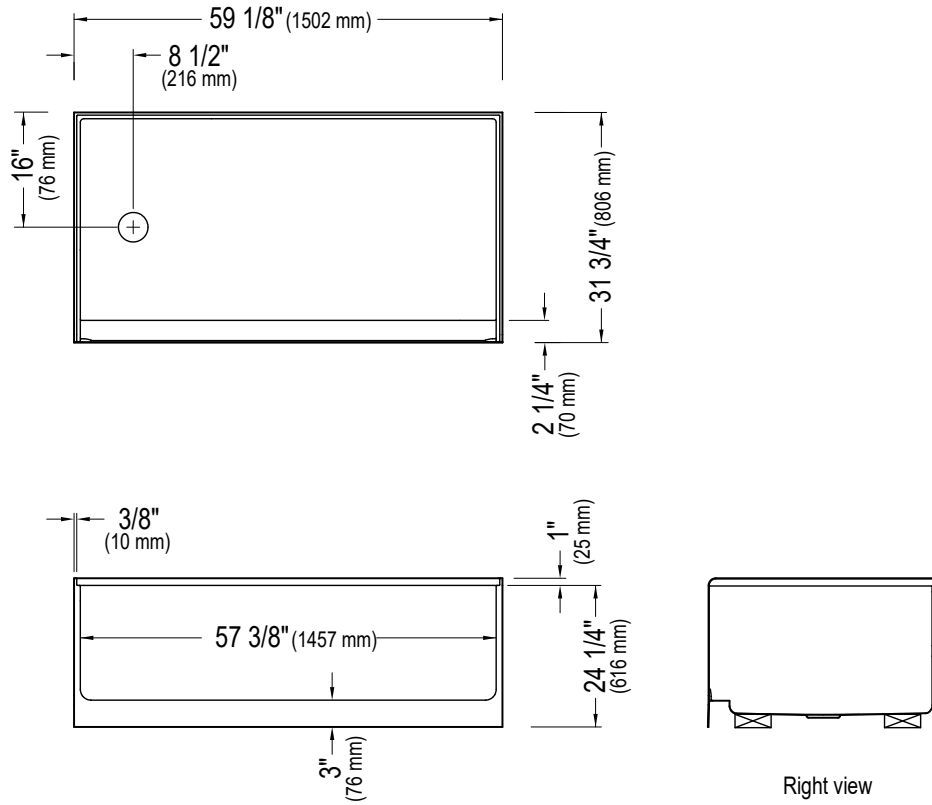
Left view



Produits Neptune

KOYA

LEFT DRAIN WITHOUT SEAT
Shower Base

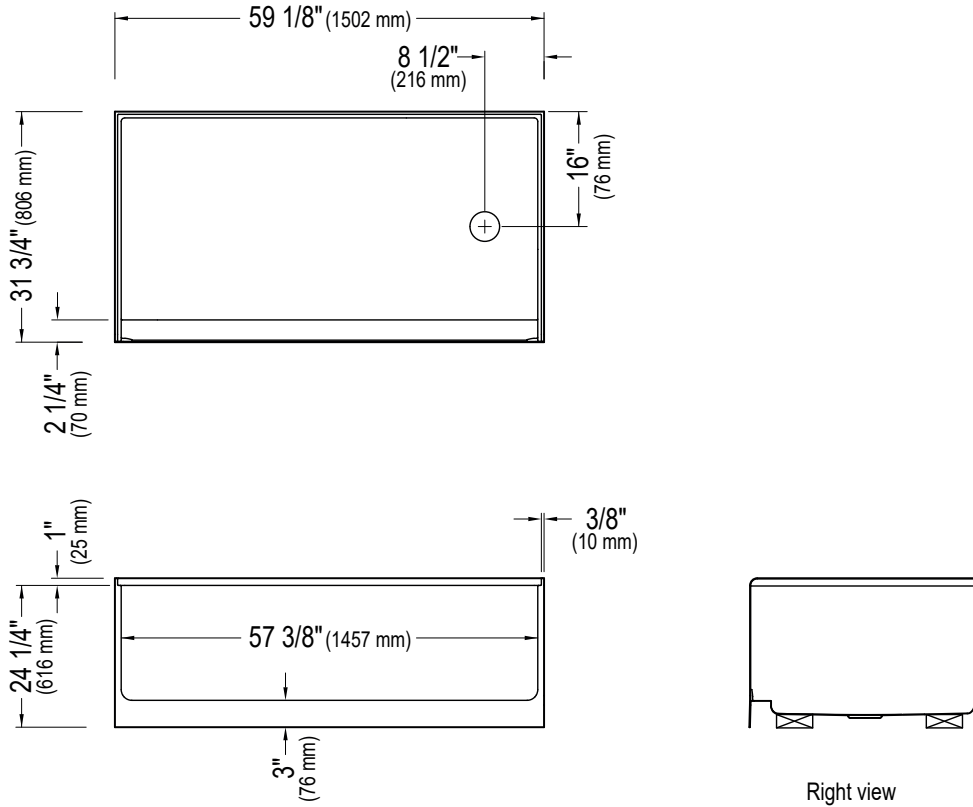




Produits Neptune

KOYA

RIGHT DRAIN WITHOUT SEAT
Shower Base



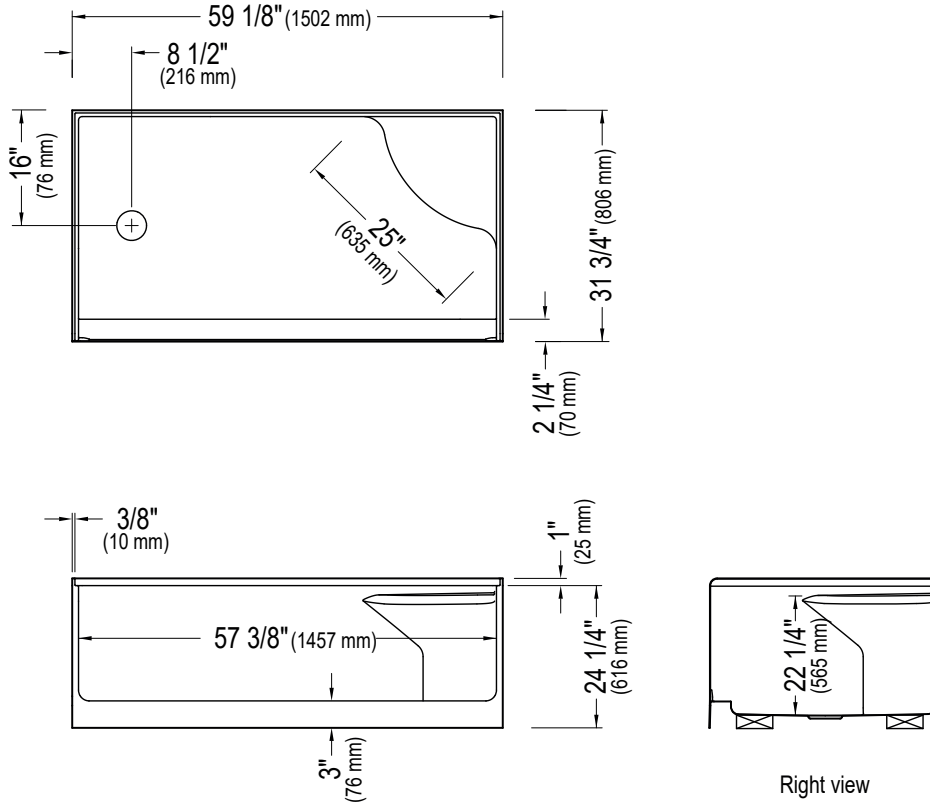


Produits Neptune

KOYA

LEFT DRAIN WITH RIGHT HAND SEAT

Shower Base





Produits Neptune

KOYA

RIGHT DRAIN WITH RIGHT HAND SEAT

Shower Base

