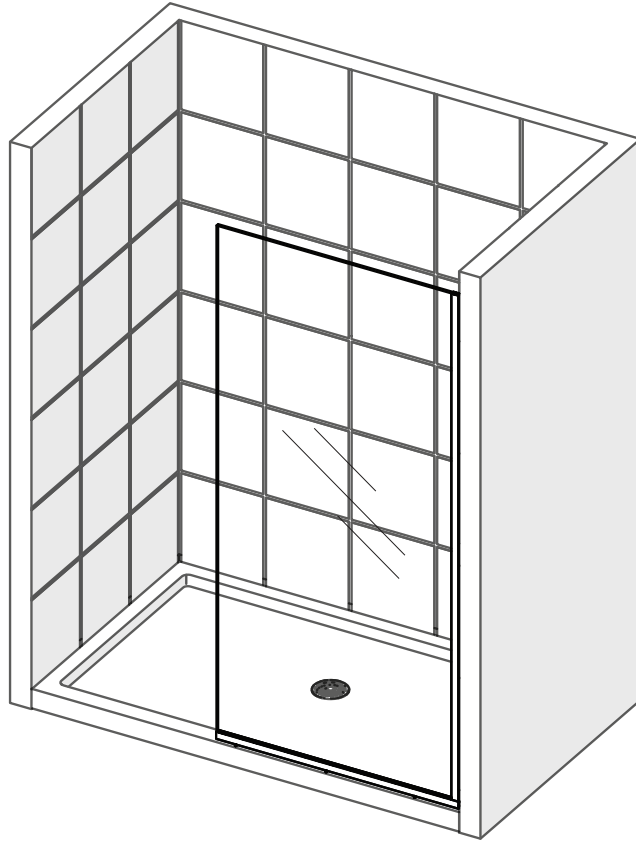


34 x 72 in. 10mm Shower Screen for Alcove Installation

SHOWER SCREEN INSTALLATION INSTRUCTIONS

PLEASE REVIEW THIS ENTIRE MANUAL PRIOR TO INSTALLATION



IMPORTANT!

The manufacturer reserves the right to alter, modify or redesign products at any time without prior notice for the purpose of product improvement and customer experience.

Do Not Return Product to the Store. Contact the manufacturer with any questions

Table of Contents

Section Title	Page #
Warnings and General Preparation	2
Model Specific Preparation	3
Tools	4
Detailed Diagram of Shower Door Components	5
Parts List	6
Model Diagram	7
Installation Steps:Single Panel Installation	8-20
Product Maintenance	21
Troubleshooting	22

Symbol Legend



TIP - for ease of installation.



CORRECT - recommended.



NOTE - take note of special feature; additional information.

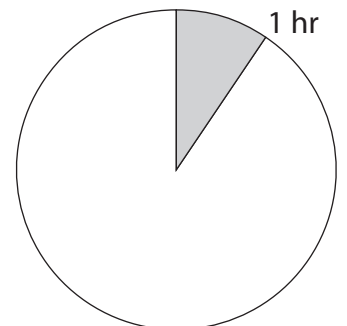


INCORRECT - not recommended.



REQUIRED - requires special attention; signifies a warning.

Average Installation Time



General Information

IMPORTANT

- The manufacturer reserves the right to alter, modify or redesign products any time without prior notice for product improvement and customer experience. Please refer to the manufacturer's web page for the latest technical drawings, installation manuals, warranty information or additional product details.
- This product should be installed by someone familiar with the construction requirements for this type of project and the care necessary for the safe installation and operation of the product.
- The safety of any installation is the responsibility of the installer.
- Professional installation recommended. *(All Models)*
- To prevent damage or serious injury, Do Not lean against the installed panel/door/glass.
- To prevent damage or serious injury: Do Not attempt to lift or move a heavy lite of glass alone. Use an assistant and/or a professional grade glass suction cup.
- The installation of some models may require drilling down into the threshold. Contact the manufacturer of the base, tub, or threshold material with any questions regarding the drilling of holes into their product.
- All drawings in this installation manual are for illustrative purposes only and are not drawn to scale.

TEMPERED GLASS WARNING

- Your Shower Door Glass Could Shatter Without Warning if Improperly Installed or Mishandled
- Do Not install or operate a shower door if the glass has chipped corners, slivered edges or is otherwise damaged and/or has been dropped or banged into a hard surface such as tile, marble or glass.
- **The main causes of tempered glass breakage are:**
 - Improper handling, storage or installation
 - Misuse/abuse
 - Lack of maintenance
 - Failure to replace damaged glass
 - **Improper handling during storage, unpacking and installation:**
 - Corners and edges are the most susceptible area to damage on a lite of tempered glass and should be protected and handled with care during storage, unpacking, installation and operation. A concentrated point of pressure or impact with a surface harder than itself may cause the tempered glass to shatter. The tempered glass may release immediately, within several hours or even days later.
 - **Incorrect installation of door hardware, rollers, hinges, channels, stopper or glass:**
 - Improper installation may include: loose hardware and/or lack of proper gaskets between the hardware and glass. Additionally, improper alignment of guide rails, wall profiles or other hardware during installation or operation may place stress on the glass edges and cause it to break.
 - This product must be installed by a professional and experienced installer familiar with the safe handling of tempered glass.
 - **Improper use of this product:**
 - Aggressively opening or closing the door may cause trauma to the glass, which can lead to breakage. This may occur immediately or hours or even days later.
 - **The shower door hardware and glass should be inspected periodically:**
 - Instruct the homeowner how to perform a periodic inspection of the shower hardware and glass - some minor adjustments may be necessary based upon the use (or misuse) of the shower door. Ensure that the hardware remains tight and that the door alignment and operation are correct. Any adjustments should be made upon discovery to prevent damage to the product.
 - Additional considerations should be given to the installation of frameless tempered glass products in households with young children or an elderly person due to an increased chance of improper handling. In such cases, alternatives such as shower curtains or grab bars should be considered.

GENERAL PREPARATION

- **Please note that you should refer to your local building codes with questions on installation compliance standards. Building and plumbing codes may vary by location, and the manufacturer is not responsible for code compliance standards for project and will not accept any returns.**
- If this unit is going to be installed in a new construction, install all the required plumbing and drainage before installing the shower. **Use a competent and licensed (if required by local code) plumber for all plumbing installation.**
- Make sure that prior to beginning the installation, the surfaces are leveled and solid and will be able to support the total weight of the unit. Also make sure the walls are at right angles. Irregular installation surface level, radius corners or improper angle of side walls will result in serious problems for your installation. Please note that some adjustments and drilling will be necessary during the installation process.
- Protect all primary surfaces of the product during installation. Never set your glass down directly onto a tile floor. Leave corner protectors in place until it is necessary to remove them. Always use a piece of wood or cardboard to protect the bottom edge and corners of the glass prior to and during installation.
- This unit must be installed upon a finished threshold and against finished walls.
- *These shower doors are not designed to be installed into a fiberglass surround due to the radius corners and lack of a solid surface to mount the hardware.*

WARNING: TO AVOID THE RISK OF DAMAGE OR INJURY:

- **Follow all recommendations and requirements as shown in the installation instructions.**
- Perform a thorough inspection of the glass and all parts for any damage prior to installation. Any damage to tempered glass can cause breakage. **Do Not install damaged glass!**
- Do Not install or operate a shower or tub door if the glass has chipped corners, slivered edges or is otherwise damaged. Do Not install or operate a shower or tub door that has been dropped or banged into a hard surface such as tile, marble or glass.
- **CAUTION:** Contact with any hard surface can damage tempered glass and cause it to shatter.
- This product uses tempered glass. Glass cannot be cut after it has been tempered. **Do Not attempt to cut tempered glass.**
- Glass Shower doors, Tub doors, Inline panels, and Return panels can shatter due to improper handling or lack of maintenance. Conduct periodic inspections of glass and all parts for possible damage, missing or loose parts.
- Always wear proper safety equipment such as: safety goggles, work gloves and appropriate footwear during the installation process.
- **WARNING. Risk of leakage and/or damage.** Follow all instructions regarding the application of silicone sealant or caulk. Allow 24 hours for the sealant to cure before the initial use of the shower or tub product. Follow the silicone manufacturer's recommendations regarding the use of their product.
- **Thoroughly read these instructions before installing or using this product.**
- **Leave this manual for the end-user of the product.**



This product should be installed by someone familiar with the construction requirements for this type of project and the care necessary for the safe installation and operation of the product.

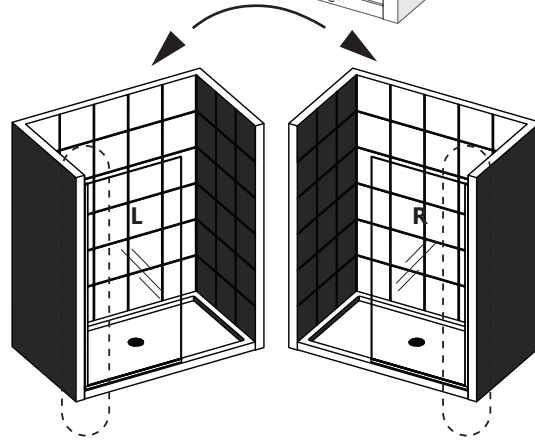
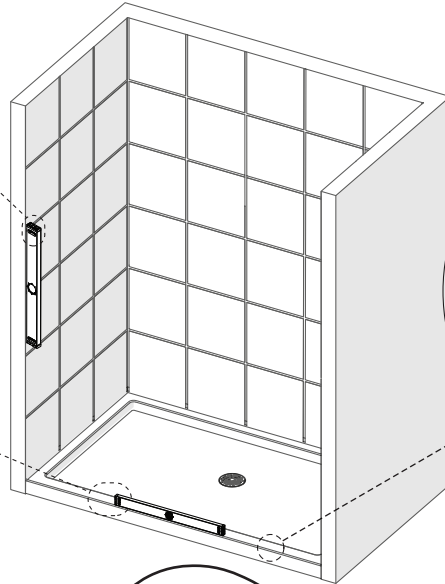
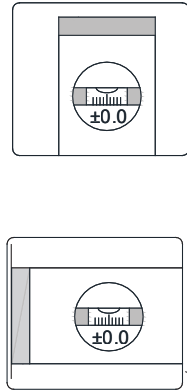


Model Specific Preparation

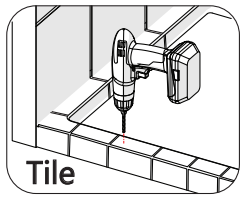
REQUIRED:

1/2" (12.7mm) Out-of-Plumb Adjustment on the Vertical U-Channel Only; Verify threshold and walls with a level

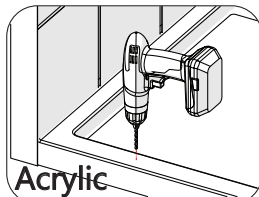
Threshold must be level



These models are reversible for right or left-hand panel(s) installation. The right-hand panel installation is shown as an example throughout this manual. For the left-hand panel installation, simply begin on the opposite wall and reverse the orientation of the steps shown.

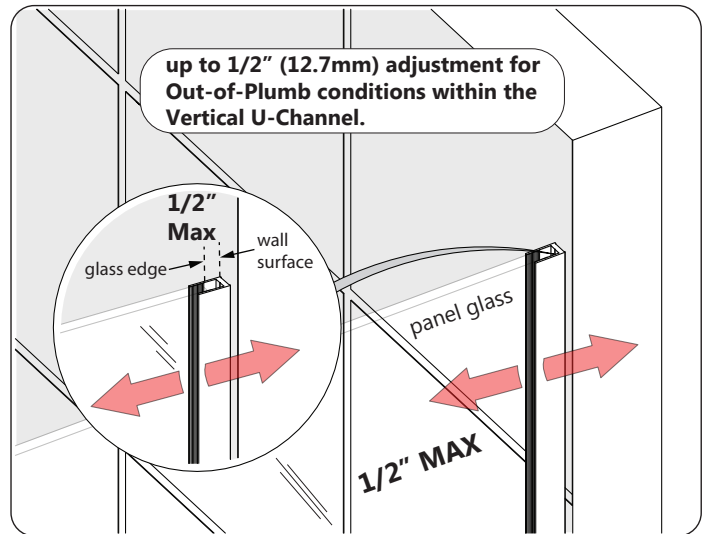


Tile

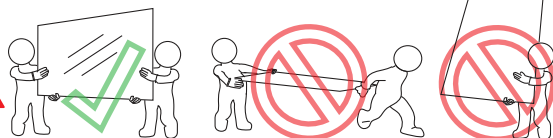


Acrylic

Contact the manufacturer of the base or threshold material with any questions regarding the drilling of holes into their product.



right-hand panel glass installation shown

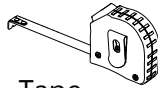


Professional installation by two installers is recommended for this product.

Tools



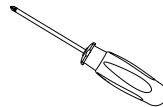
Level



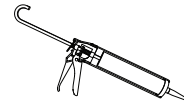
Tape Measure



Pencil



#2 Phillips Screwdriver



Silicone



Power Drill



Drill Bit
Ø1/8"
(3mm)



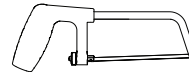
Drill Bit
Ø5/16"
(8mm)



#2 Phillips Driver Bit

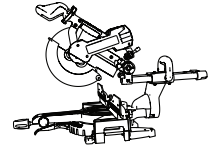


Extender Driver Bit

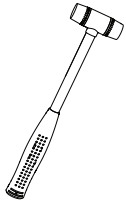


Hacksaw

OR



Miter Saw



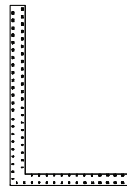
Soft Head Hammer



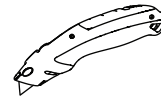
Safety Glasses



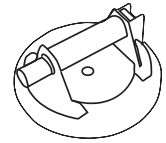
Work Gloves



Carpenter's Square



Razor Knife



Professional-Grade Glass Suction Cup (optional but recommended)

Verify that the correct model size has been ordered; measure the finished opening **before** proceeding with the installation.

Confirm that the finished walls are plumb and the threshold is level and pitched into the shower area.

Use a good quality waterproof, mildew-resistant 100% silicone.

Cover the shower/tub drain with tape prior to installation to prevent the loss of screws or small parts.

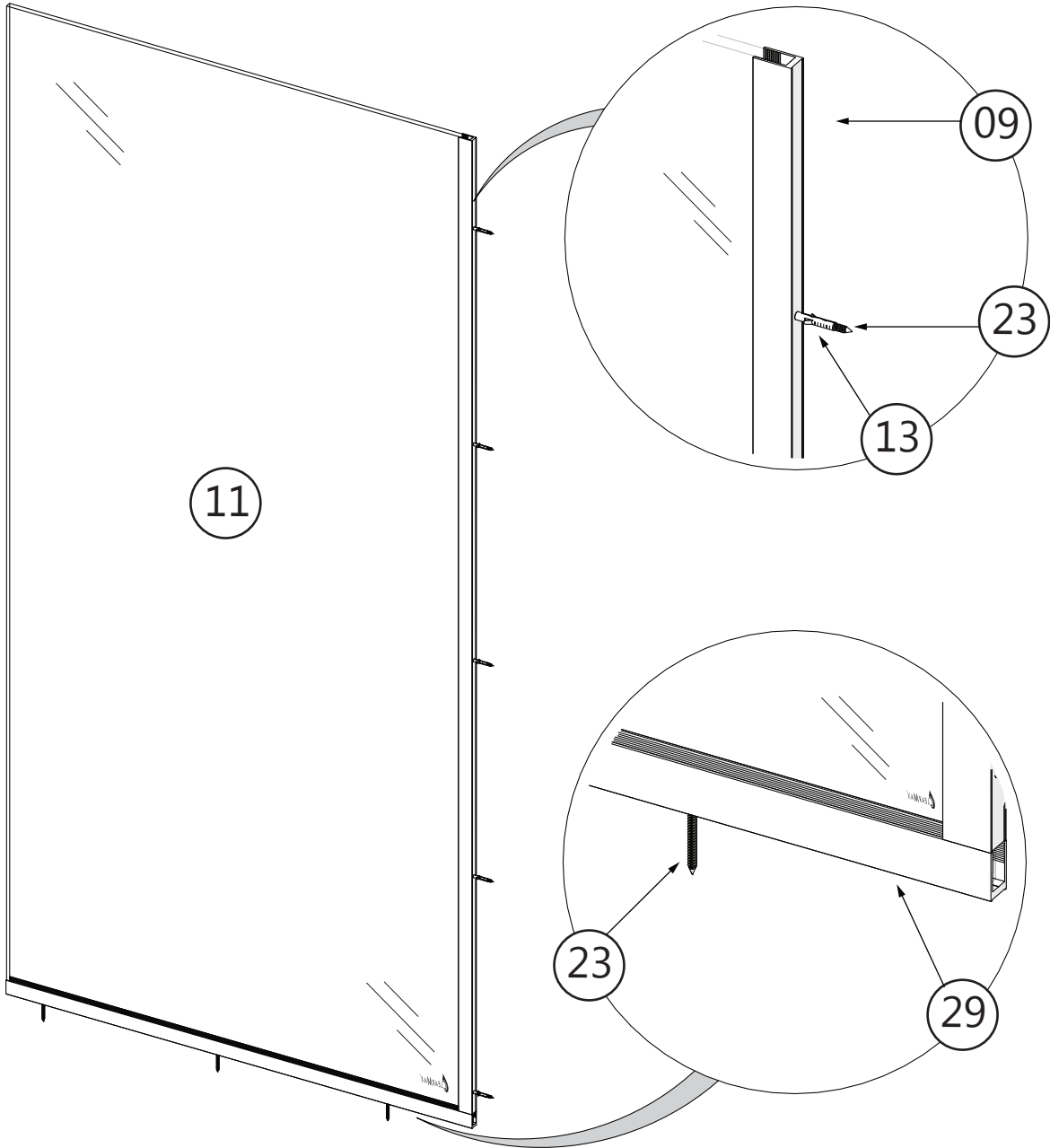
To prevent stripping the screw heads, set the screw gun clutch to a low setting when installing screws and bolts.

Use a type of drill bit that is appropriate for drilling into the finished surface material.

NOTE

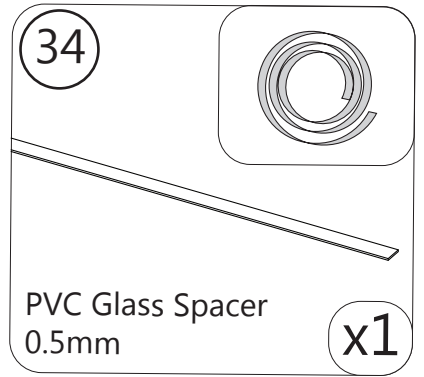
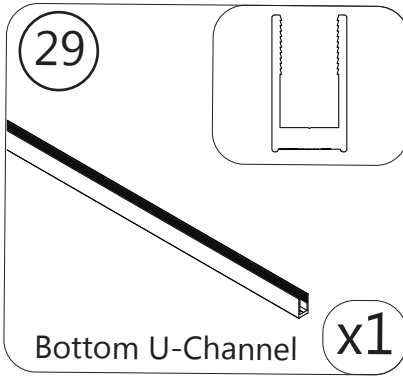
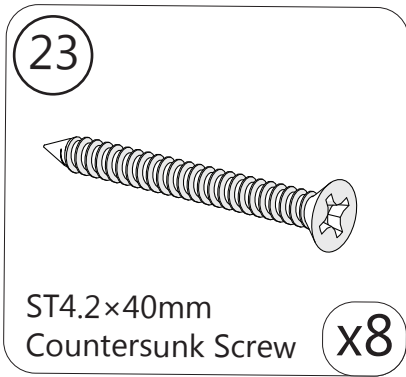
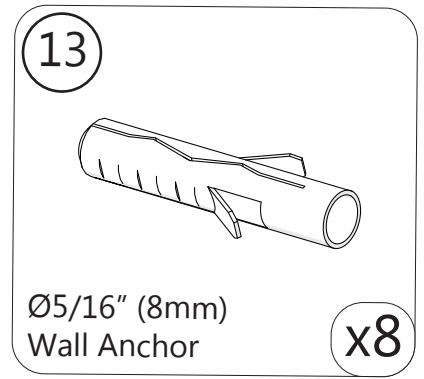
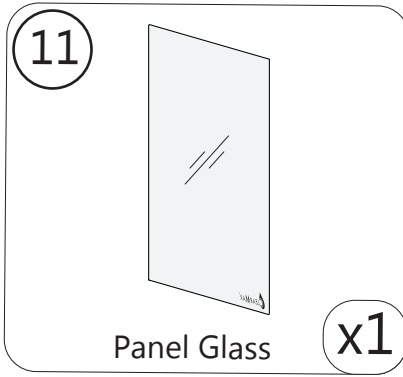
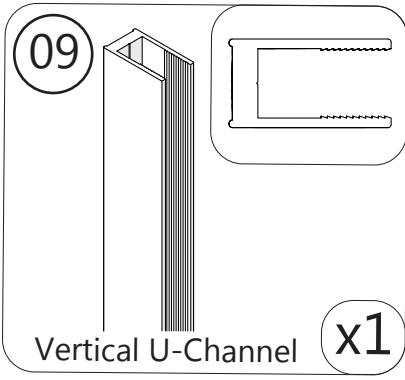
Unpack your unit carefully and inspect it. Lay it out and identify all parts using the **Detailed Diagram** on pages 5-6; and packing list in this manual as a reference. Before discarding the carton, check for small hardware bags that may have fallen to the bottom of the box. If any parts are damaged or missing, please contact the manufacturer for replacement. The shipping boxes may contain extra parts not used in your model configuration. Retain these installation instructions for future reference.

Detailed Diagram of Shower Panel Glass Components



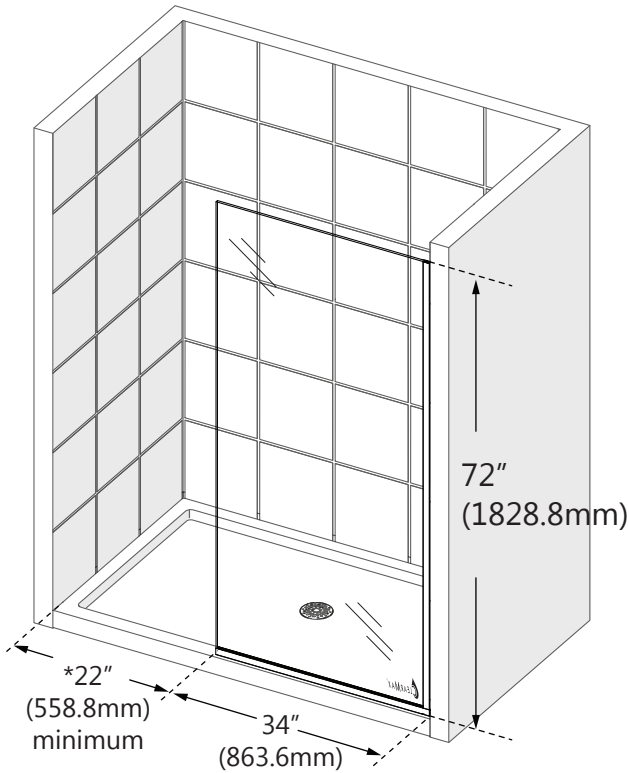
right wall panel installation shown

Parts List



Model Diagram

Single Panel Installation



***22" (558.8mm) minimum access space recommended when installed as a Single Panel**



It is recommended to install this 34" x 72" (863.6 x 1828.8mm) single panel into a finished opening (no less than 56" (1422.4mm) that will allow for at least 22" (558.8mm) of unobstructed access into the shower area.

Installation Steps: Single Panel Installation

1

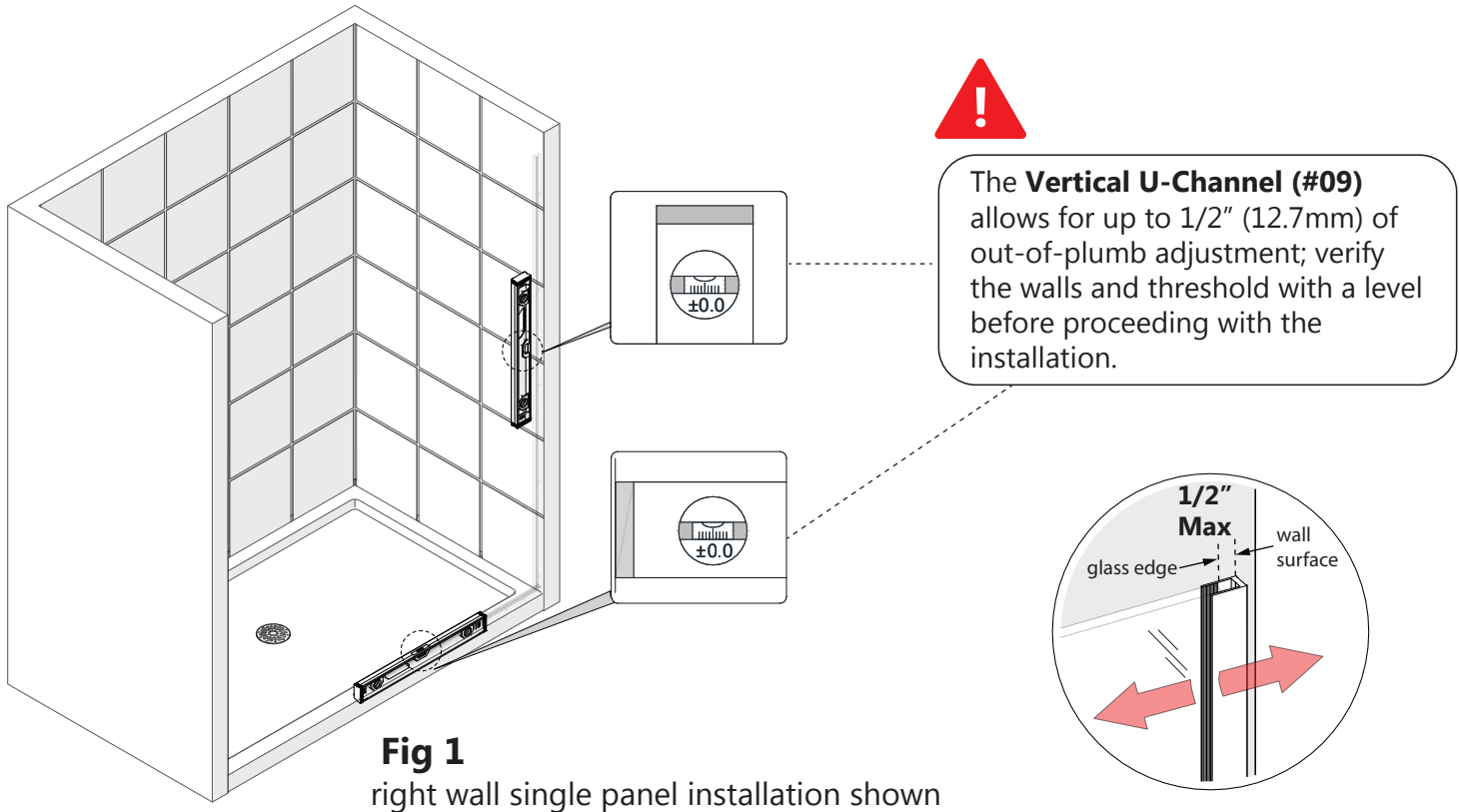


Fig 1
right wall single panel installation shown

NOTE

Prior to beginning the installation, confirm that all surfaces are leveled, solid and able to support the total weight of the shower unit. Also, make sure the walls are at right-angles; irregular installation surface levels, radius corners and/or improper angles of side walls may result in serious problems for your installation.

Tools Needed

- Level
- Tape Measure
- Pencil

2

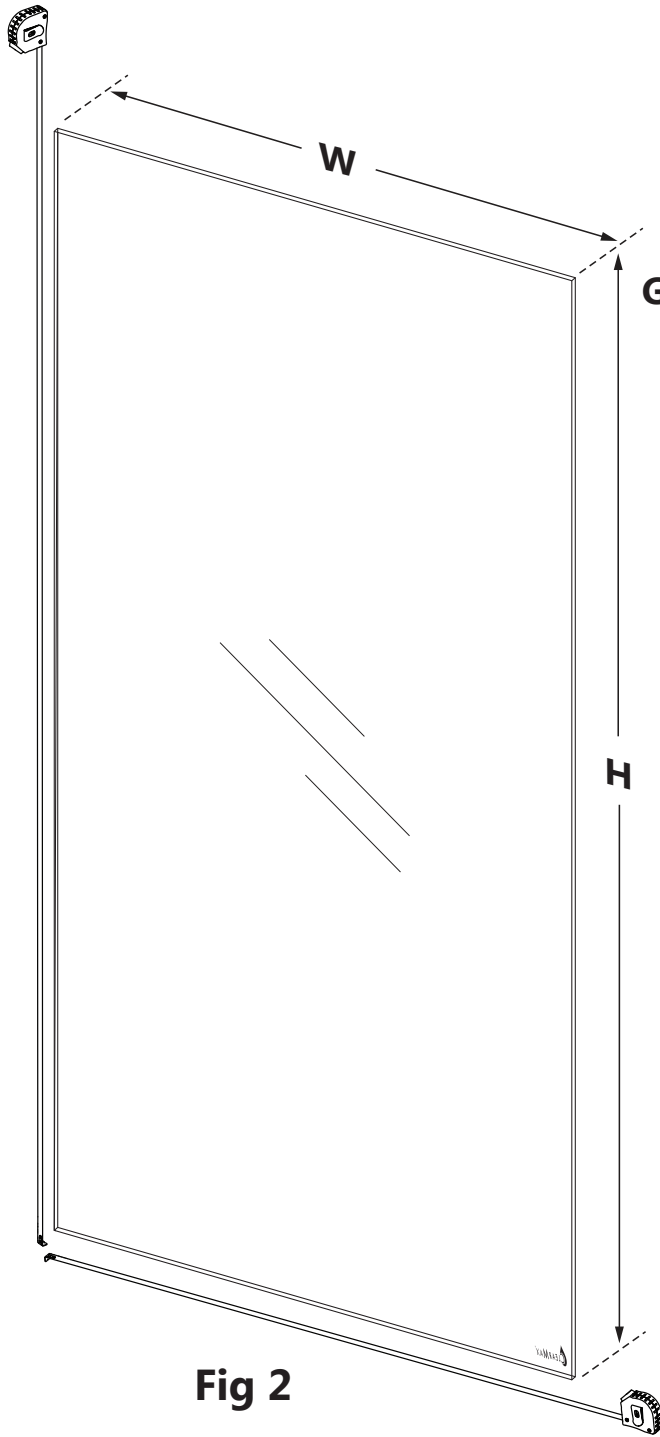


Fig 2

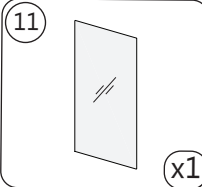
Panel Glass Width (W)
+ 3/16" (4.78mm) =



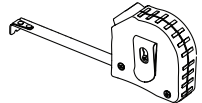
Add 3/16" to the width of the glass to allow proper clearance for the thickness of the Vertical U-Channel.

Panel Glass Height (H)

Parts Needed



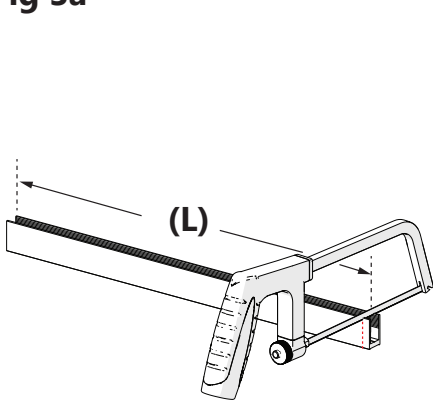
Tools Needed



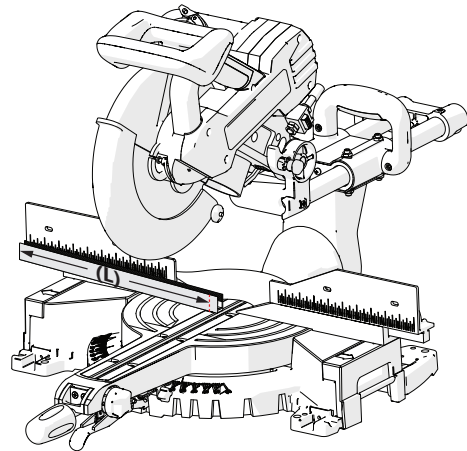
Cut the Bottom U-Channel to:

Glass Width (W) (+) 3/16" (4.78mm) = (L)** (see EXCEPTION below)

Fig 3a



OR



Cut the Vertical U-Channel to:

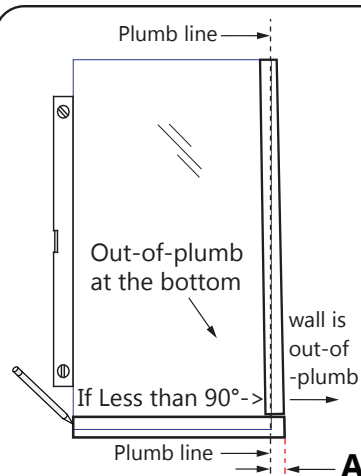
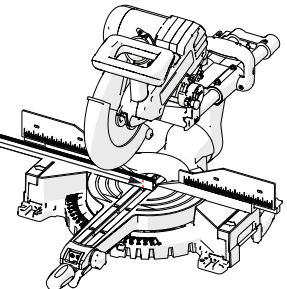
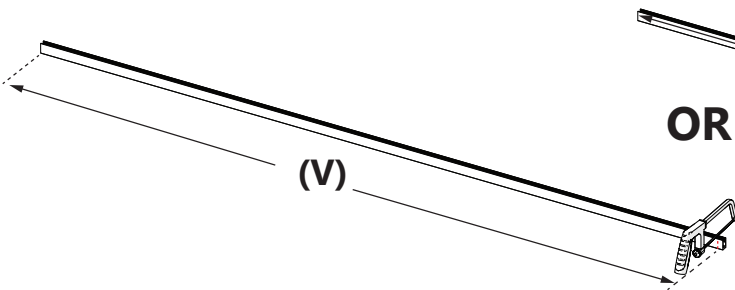
Glass Height (H) (-) 13/16" (20.6mm) = (V) (for 72" model height, V= 71" (1803.6mm))

Fig 3b



Cut the Vertical U-Channel to 71" (1803.4mm) for the standard 72" (1828.8mm) model height

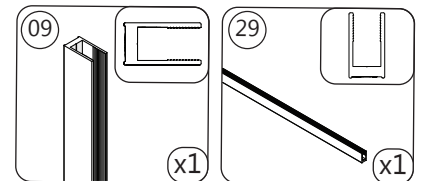
OR



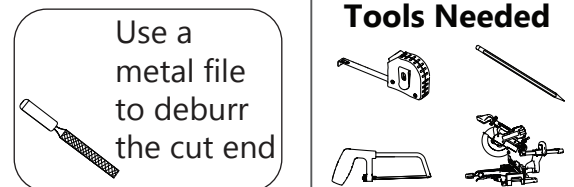
**EXCEPTION:

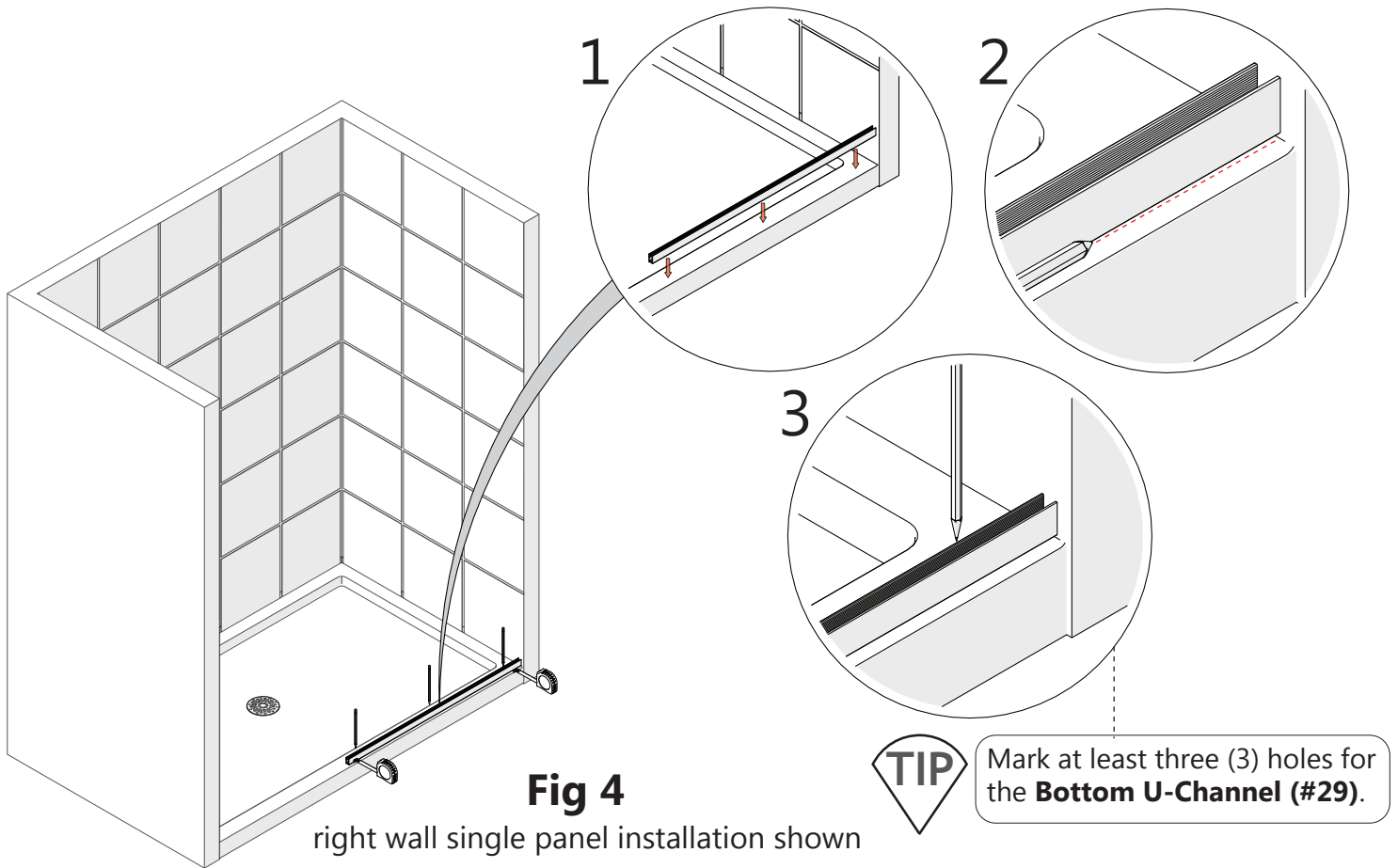
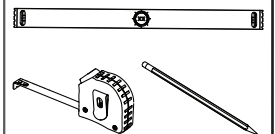
If the wall is out-of-plumb at the bottom, dry-fit the Vertical (#09) and Bottom (#29) U-Channels onto the Panel Glass and place into the finished opening. Mark the Bottom U-Channel where the glass edge is and proceed to trim. The maximum out-of-plumb adjustment is 1/2" (12.7mm).

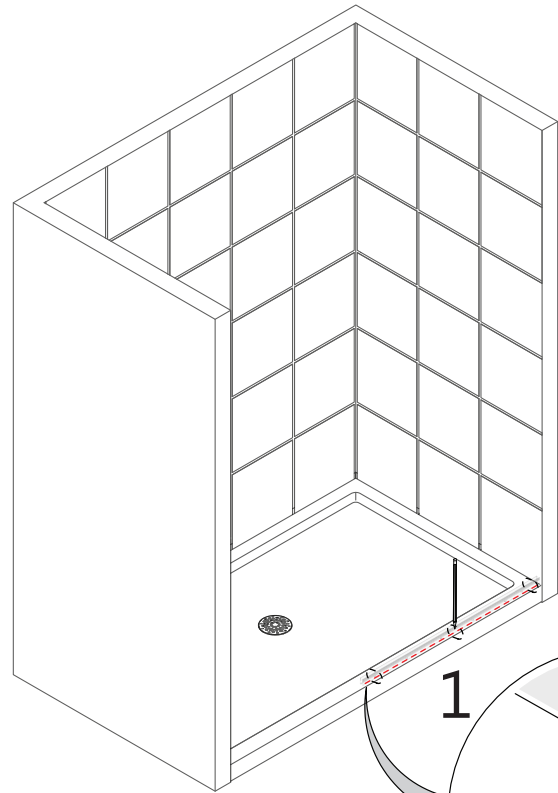
Parts Needed



Tools Needed



**Tools Needed**



NOTE

- For installation into an **Acrylic Threshold**: drill an $\text{Ø}1/8''$ (3mm) hole and use the **ST4.2 x 40mm Countersunk Screw (#23)**
- OR
- For installation into a **Tile Threshold**: drill a $\text{Ø}3/16''$ (4.76mm) hole up to the stud, drill an $\text{Ø}1/8''$ (3mm) pilot hole into the stud and use the **ST4.2 x 40mm Countersunk Screw (#23)**

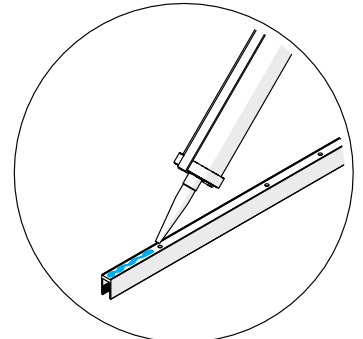
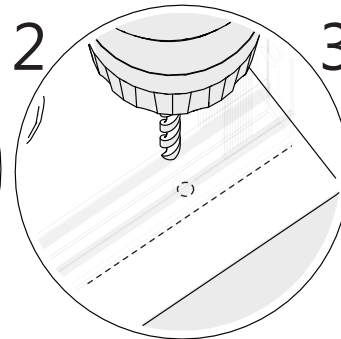
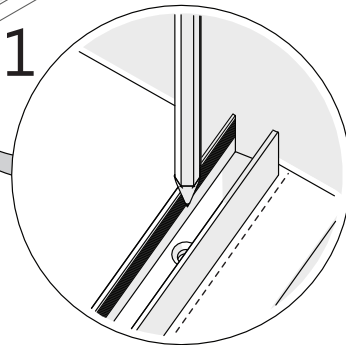


Fig 5

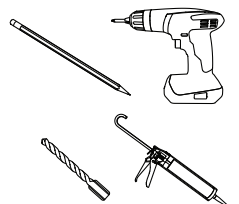
right wall single panel installation shown

For drilling into wall/threshold surfaces, use the appropriate drill bit for the type of surface material

NOTE

The surfaces need to be clean and free of debris before applying silicone.

Tools Needed



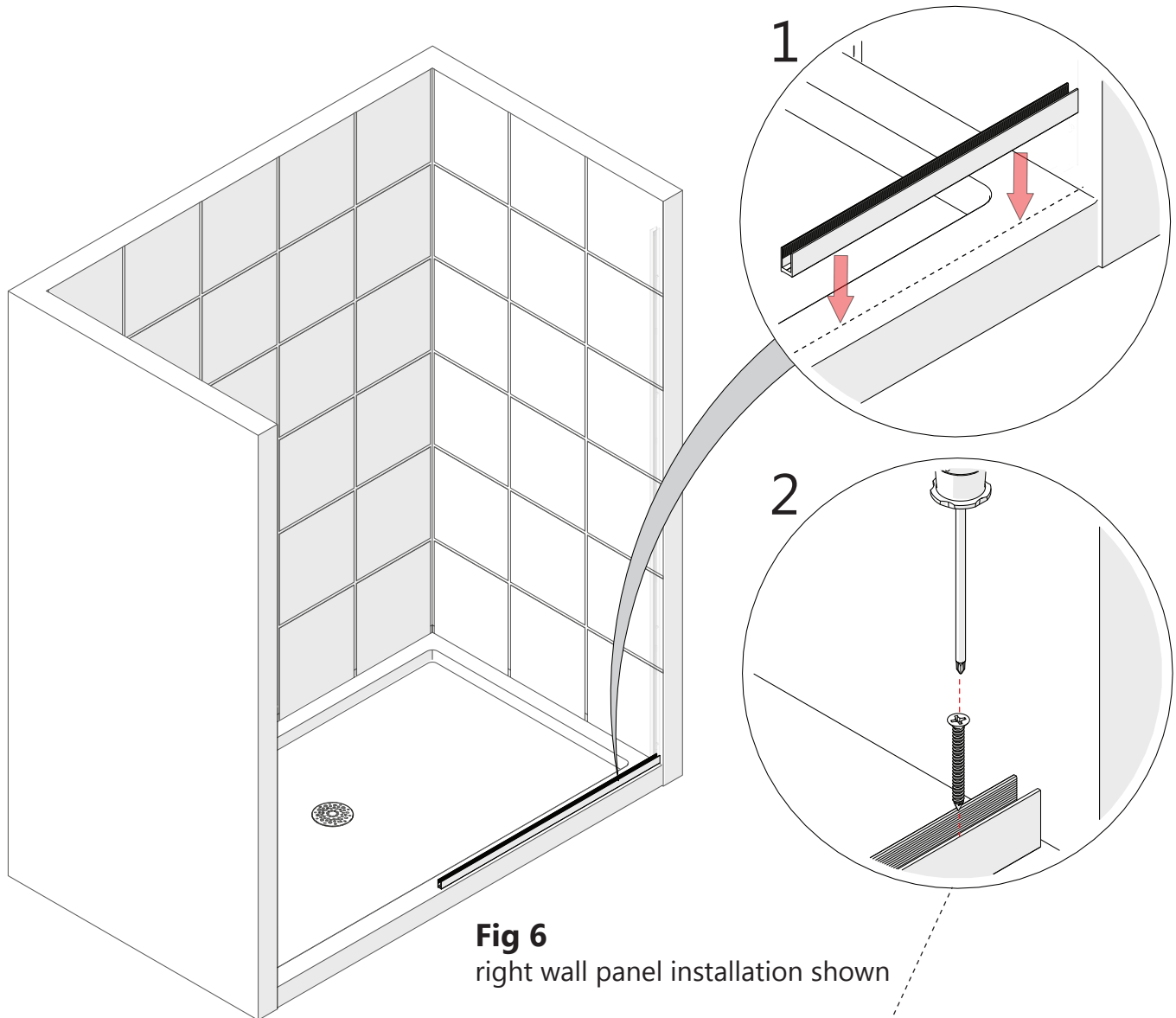
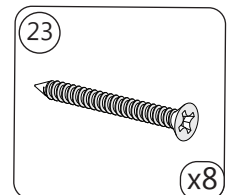


Fig 6
right wall panel installation shown



To prevent damage to the glass:
Fully countersink the screws so the
screw heads do not stick up above the
surface of the Bottom U-Channel (#29).

Parts Needed



Tools Needed

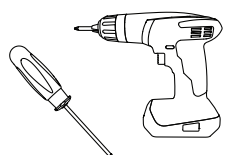


Fig 7a

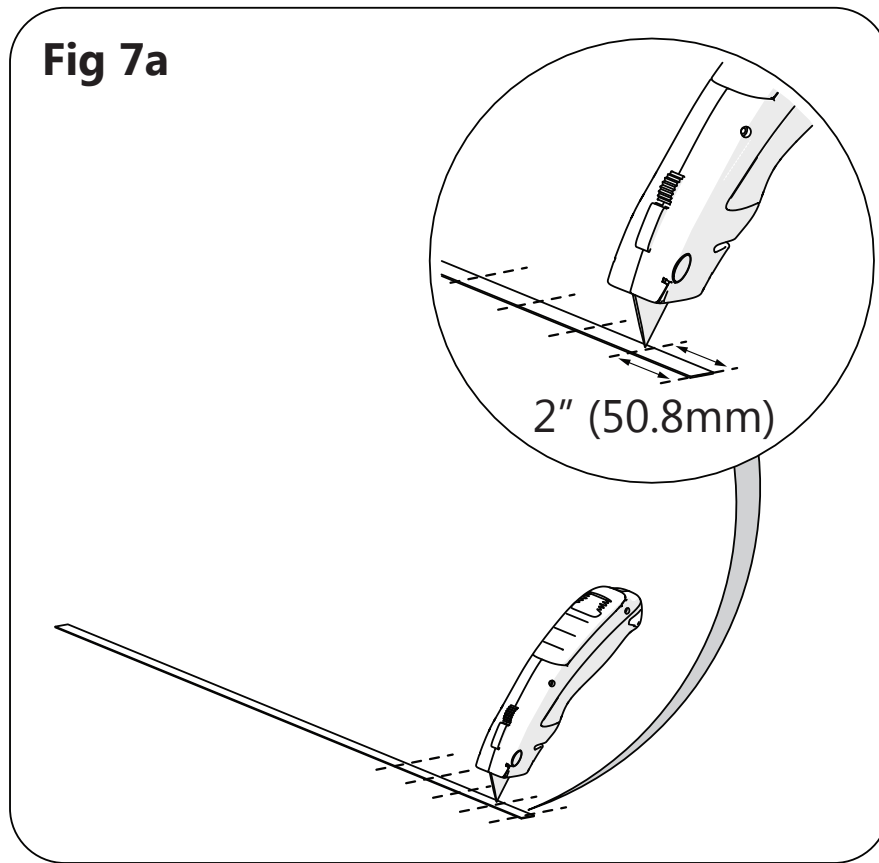
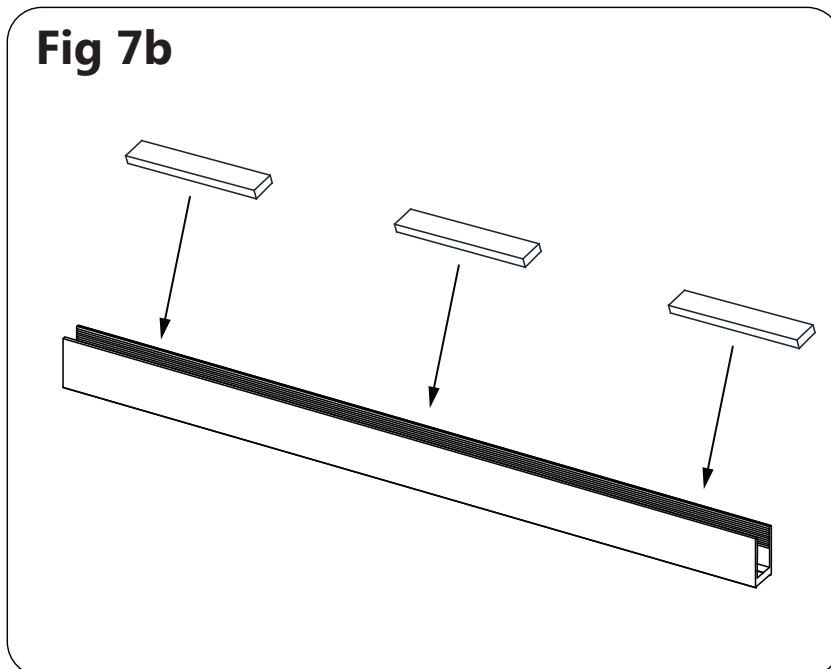
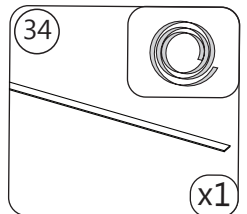


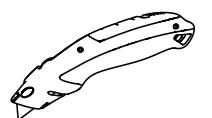
Fig 7b



Parts Needed

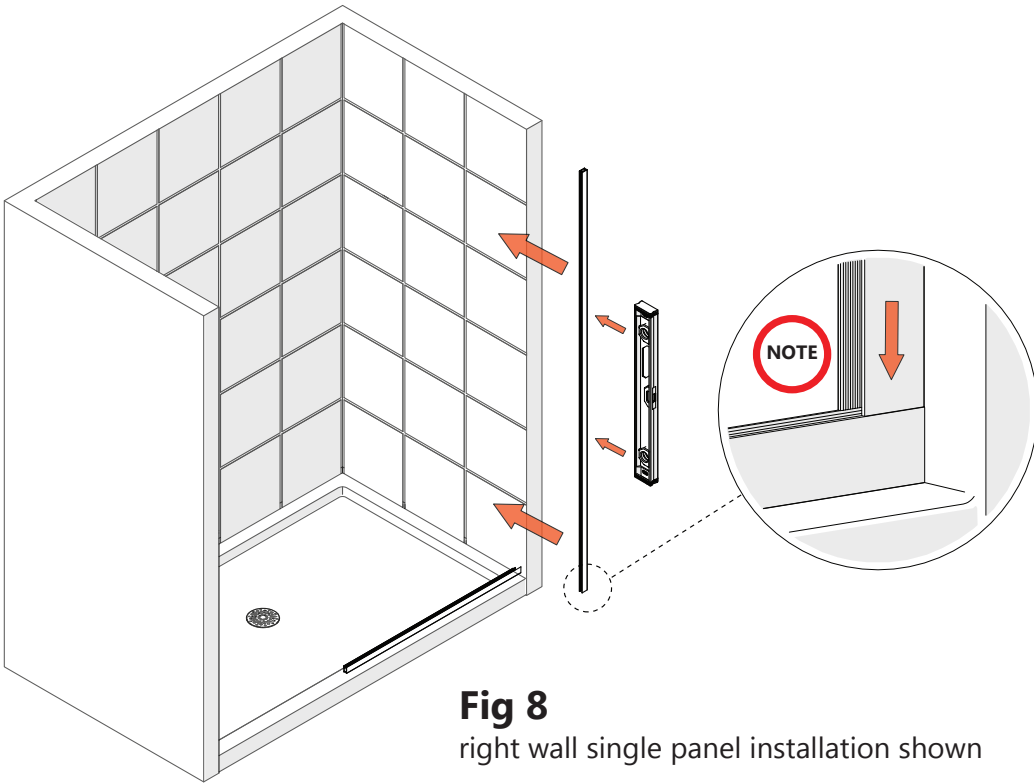


Tools Needed



Cut several 2" - 3" (50.4mm-76.2mm) pieces of the PVC Glass Spacer 0.5mm (#34). DO NOT install one long continuous piece into the Bottom U-Channel (#29)!

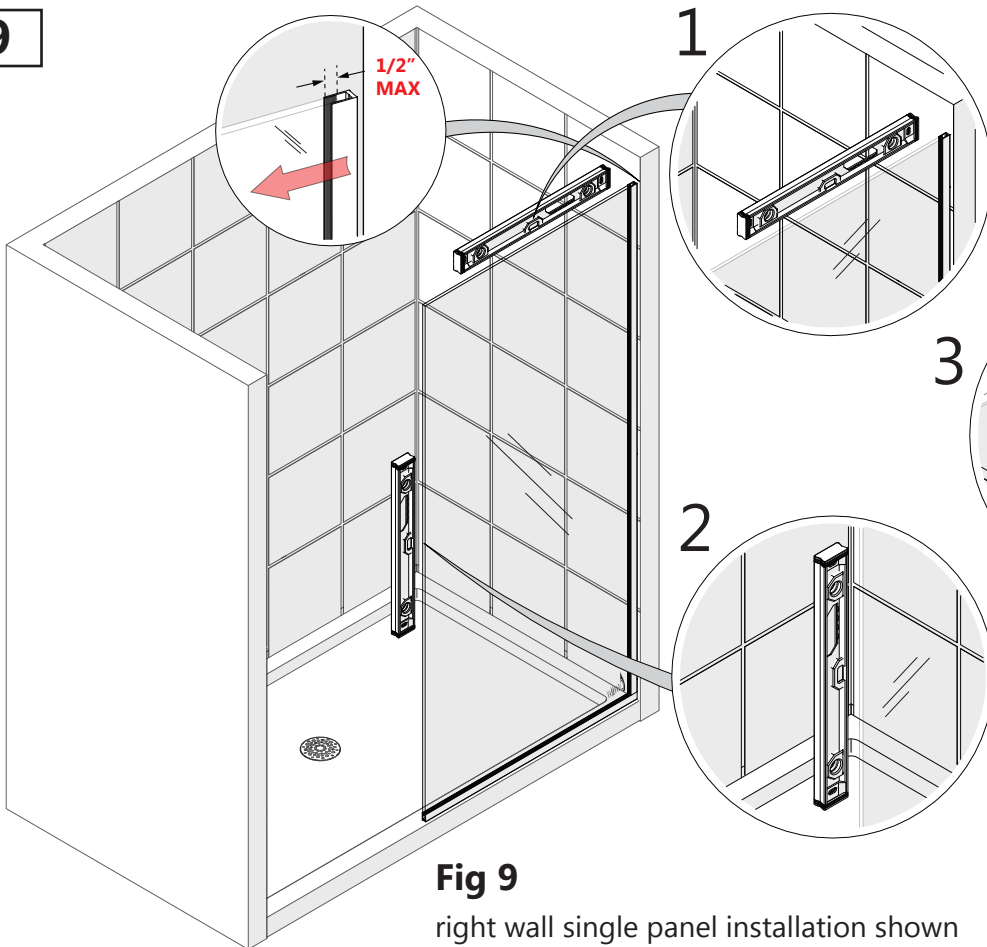
8



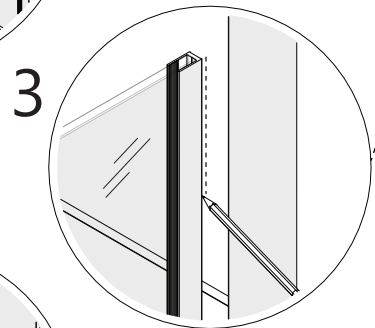
The **Vertical (#09) U-Channel** sits on top of the **Bottom (#29) U-Channel**.

Fig 8
right wall single panel installation shown

9



NOTE
For the single panel installation, it is optional to dry-fit the **Panel Glass (#11)** into the u-channels before marking the **Vertical U-Channel (#09)** position on the wall.



Tools Needed

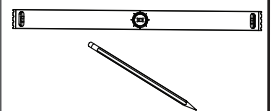
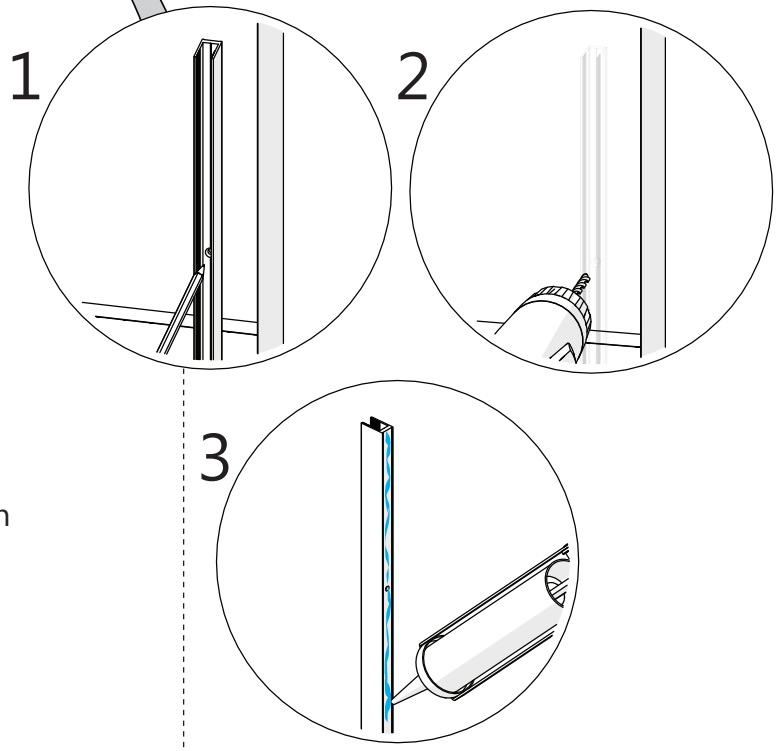
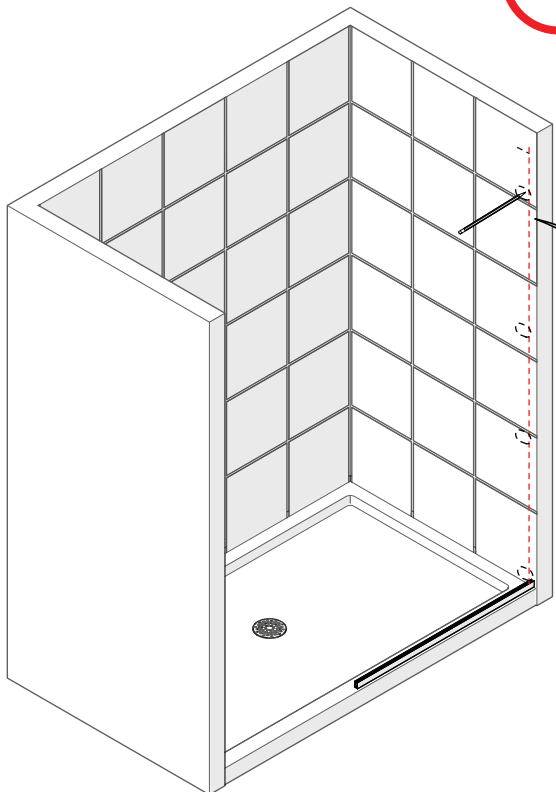


Fig 9
right wall single panel installation shown

NOTE

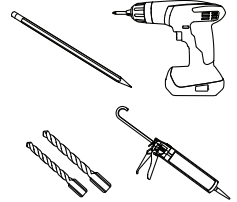
▪ **If a stud is present behind the wall:**
 drill a $\text{Ø}3/16''$ (4.76mm) hole up to the stud,
 drill an $\text{Ø}1/8''$ (3mm) pilot hole into the stud and use the
ST4.2 x 40mm Countersunk Screws (#23)
OR
 ▪ **If no stud is present behind the wall:**
 drill a $\text{Ø}5/16''$ (8mm) hole and insert the **Wall Anchors (#13)**
 and use the **ST4.2 x 40mm Countersunk Screws (#23)**.

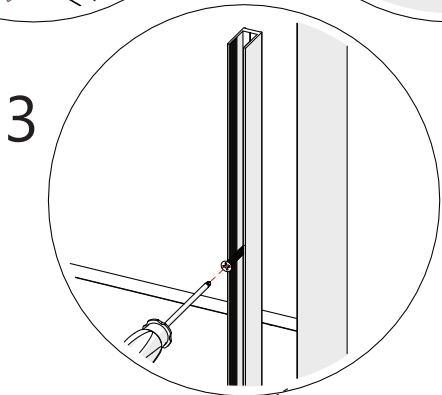
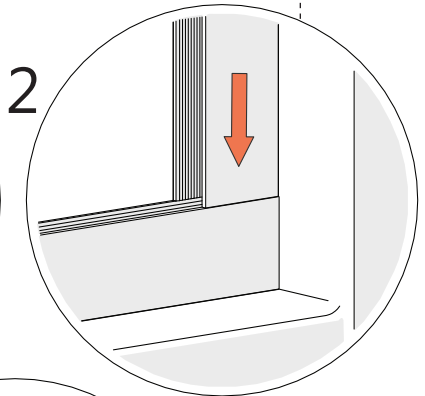
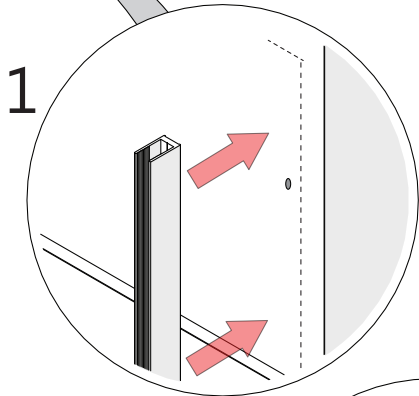
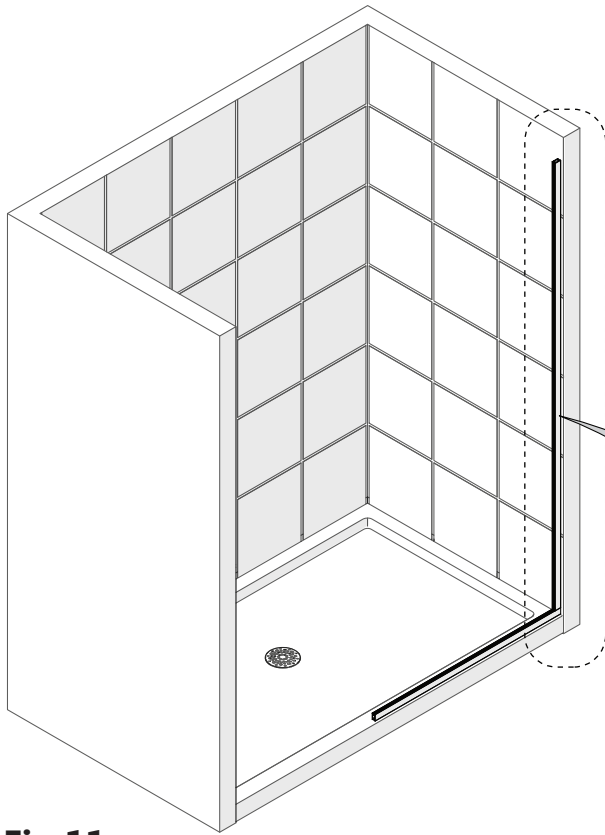


Mark at least four (4) holes for the **Vertical U-Channel (#09)**.

Fig 10
 right wall single panel installation shown

Tools Needed





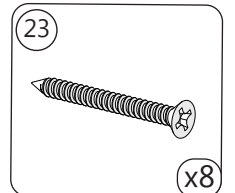
The **Vertical (#09) U-Channel** sits on top of the **Bottom (#29) U-Channel**.

Fig 11
right wall single panel installation shown

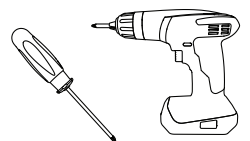


To prevent damage to the glass:
Fully countersink the screws so the screw heads do not stick out from the surface of the U-Channels.

Parts Needed



Tools Needed



12

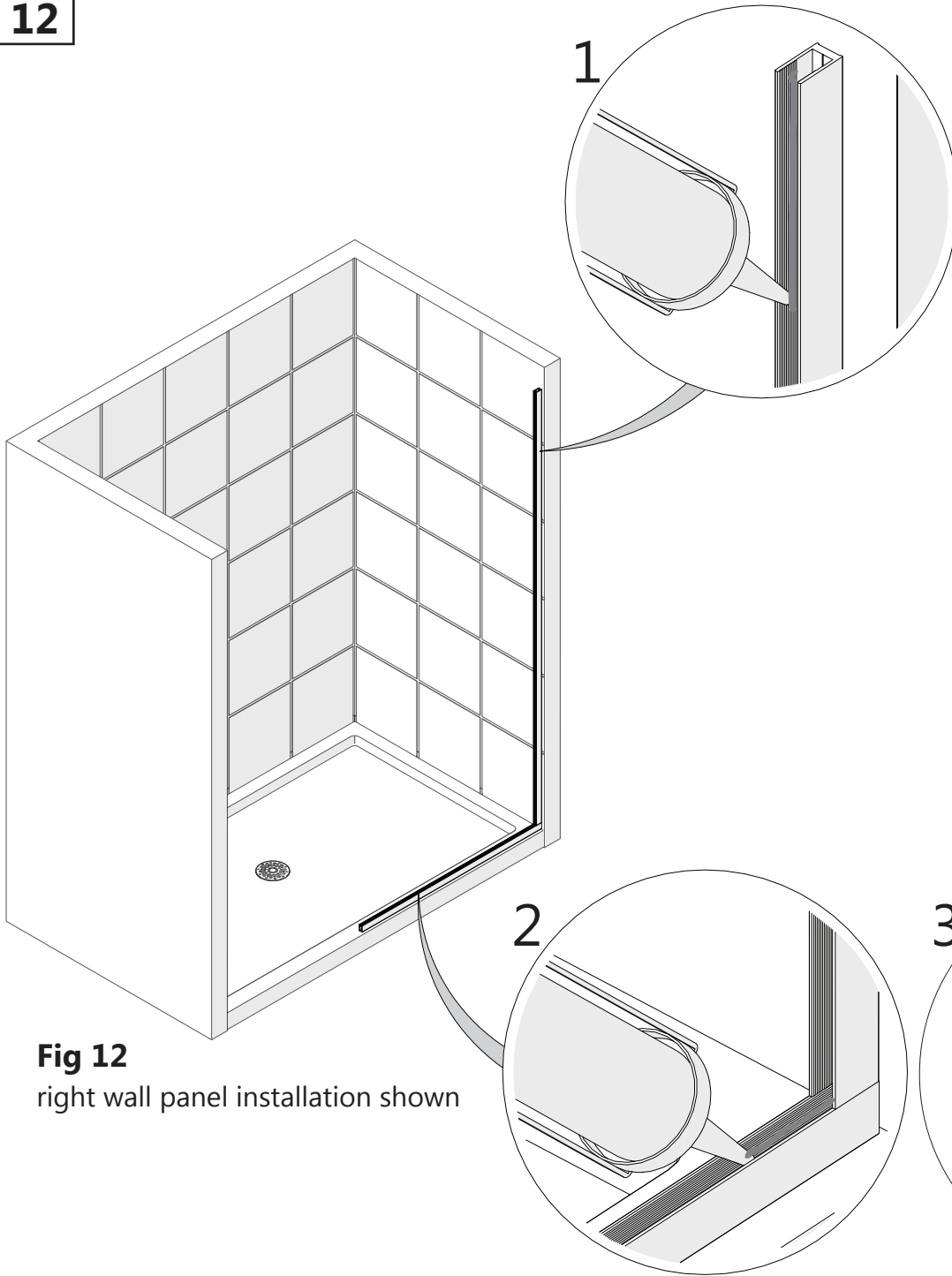
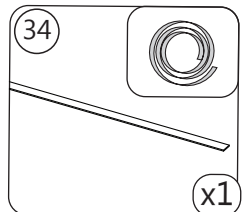


Fig 12
right wall panel installation shown

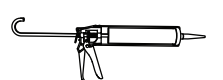


NOTE After applying silicone into the Bottom U-Channel, install several 2"- 3" pieces of the PVC Glass Spacer 0.5mm (#34) into the Bottom U-Channel (#29) to protect the bottom edge of the glass. (Fig 12.3)

Parts Needed



Tools Needed



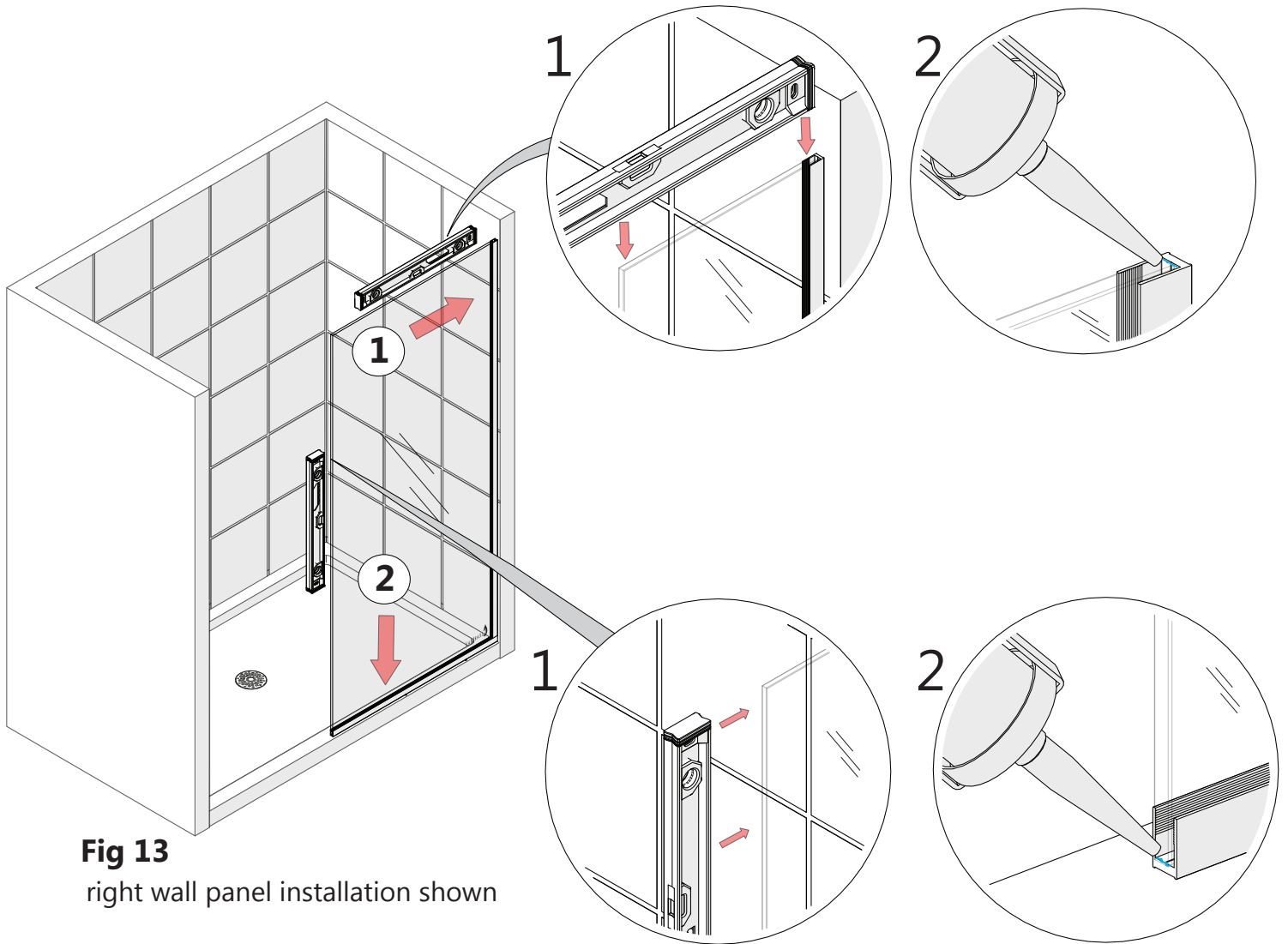


Fig 13
right wall panel installation shown



Slide the panel glass into the Vertical U-Channel (#09) first and then slide it down into the Bottom U-Channel (#29).

Tools Needed

NOTE

The surfaces need to be clean and free of debris before applying silicone

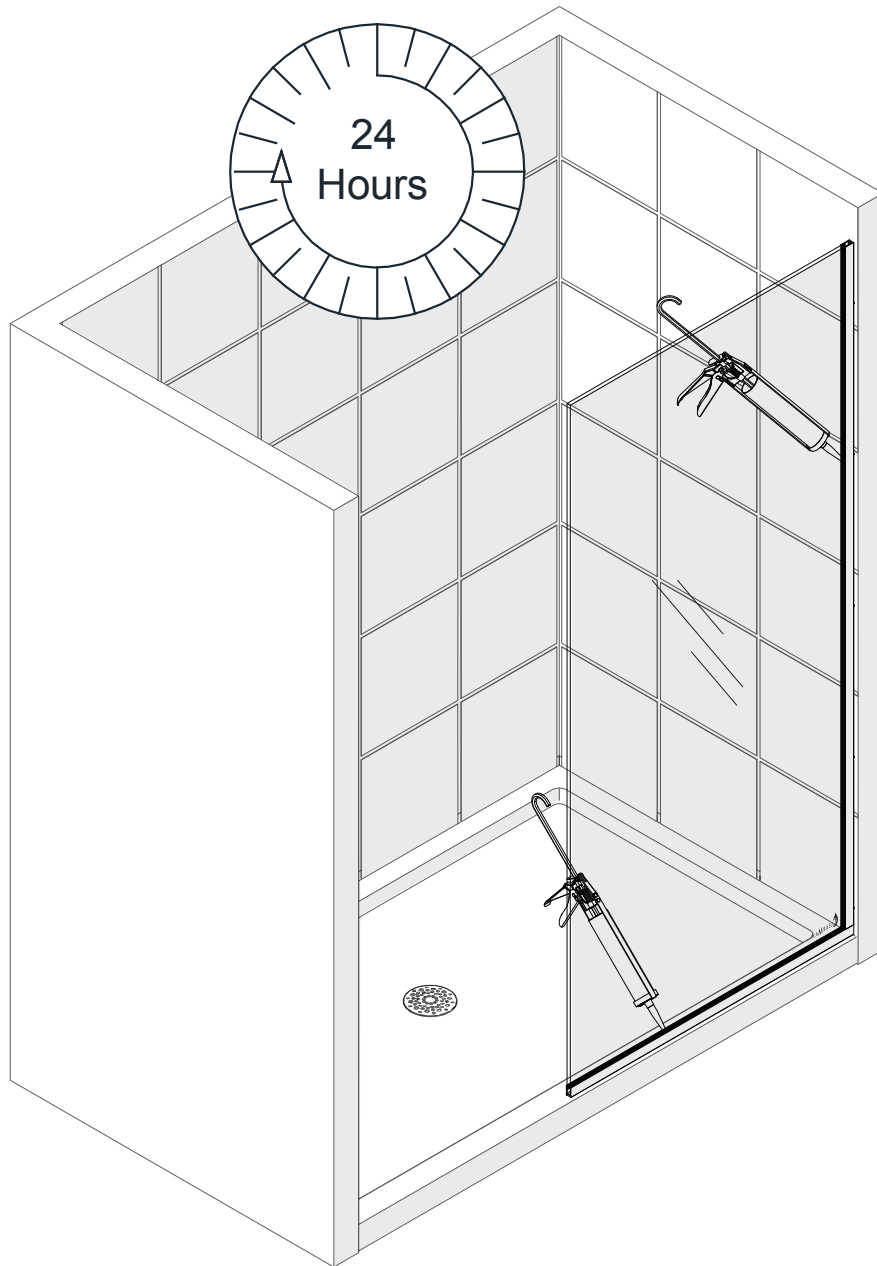


Fig 14
right wall single panel installation shown



Allow 24 hours for the silicone to cure before using the shower



This completes the installation of the single panel frameless shower screen .

Tools Needed



Product Maintenance

BASES and BACKWALLS: To ensure long lasting life for your acrylic back walls: wipe them off after each use with a soft cloth. To clean the acrylic back walls use non-abrasive sprays or cream based cleaners. Avoid the use of aerosol spray cleaners. Never use abrasive cleansers, metal brushes or scrapers that could permanently scratch or dull the surface.

GLASS: To ensure long lasting life for your glass shower products: wipe them off after each use with a soft cloth. Rinse and wipe off the glass using either a soft cloth or a squeegee to prevent soap buildup and water spots (Hard water can etch the surface of the glass over time if left to dry). To prevent scratching the surface: never use abrasive cleaners or cleaning products that contain scouring agents. Never use bristle brushes or abrasive sponges that may scratch the surface of the glass.

HARDWARE: To ensure a long lasting finish: wipe off all metal parts after each use with a soft cloth. Do not use abrasive cleaners or cleaning products containing ammonia, bleach or acid. If accidentally used, rinse the surface as soon as possible to prevent damage to the finish (peeling or corrosion). After cleaning the polished finishes, rinse thoroughly and wipe dry with a soft clean-cloth.

Clean stainless steel surfaces at least once a week. When applying stainless steel cleaner or polish to stainless steel hardware, work with the grain (not across the grain). Never use an abrasive sponge or cloth, steel wool or wired brush as these may permanently scratch the surfaces.



To maximize the life of your door, it is important to regularly inspect the glass and other hardware for misalignment, proper attachment, and/or damage.

Shower Panel Maintenance Checklist

- Check that the unit is stable, operates smoothly and that the installation is secure.
- Confirm that all u-channels are tight.
- Confirm that all vinyl seals are intact (replace if missing or damaged to prevent water leakage.)
- Inspect exposed and concealed glass edges for damage (**damaged glass must be replaced!**)
- Inspect silicone for gaps. Replace silicone as necessary to prevent leakage.

Troubleshooting

Problem/Symptom	Suggested Solution	Page(s)
Missing Parts	<ul style="list-style-type: none">•Check all shipping/packaging material for missing parts/components.•If not found, contact the manufacturer to order factory part replacement.	—
Water Leakage: beneath the Bottom U-Channel (#29) and Panel Glass (#11)	<ul style="list-style-type: none">•Confirm that all screws are tightly secured to the threshold•Inspect the silicone caulk and ensure that a complete application of silicone caulk has been applied. Allow 24 hours to cure the silicone before attempting to use the shower.	—

Prior to contacting the manufacturer, please have the following information readily available:

- Purchase Order Information
 - Name, PO Number, Dealer/Vendor Name, etc.
- SKU/Model Number
- Factory Part Information

