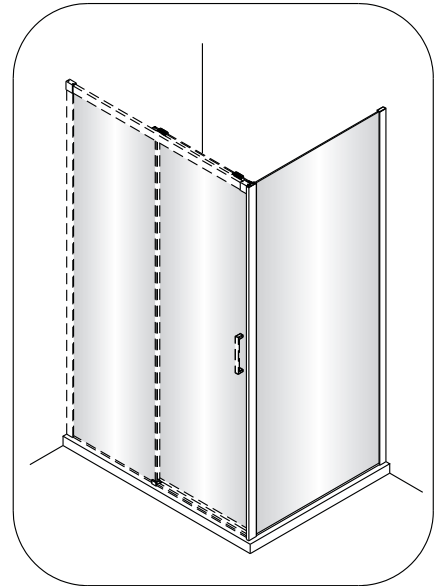
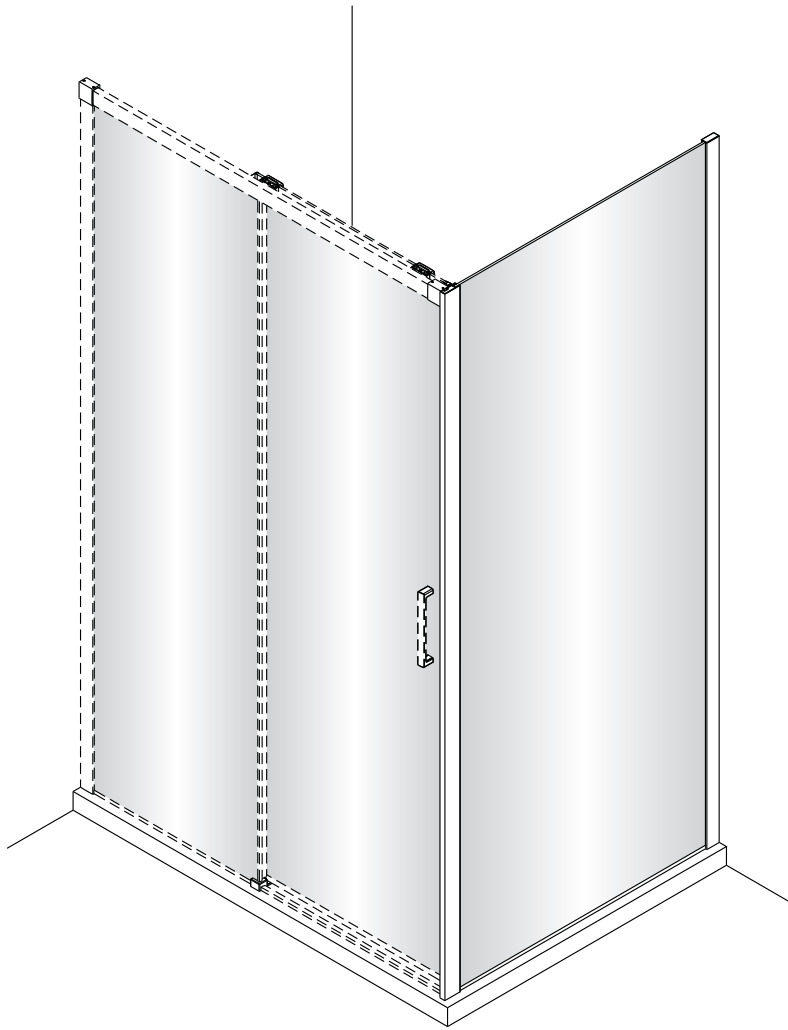




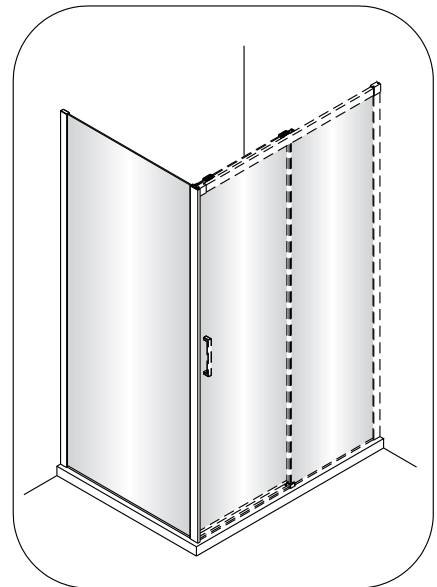
Produits Neptune

SELLA 3248 - SELLA 3648 - SELLA 3260 - SELLA 3660

Guide d'installation / Installation manual



Gauche / Left



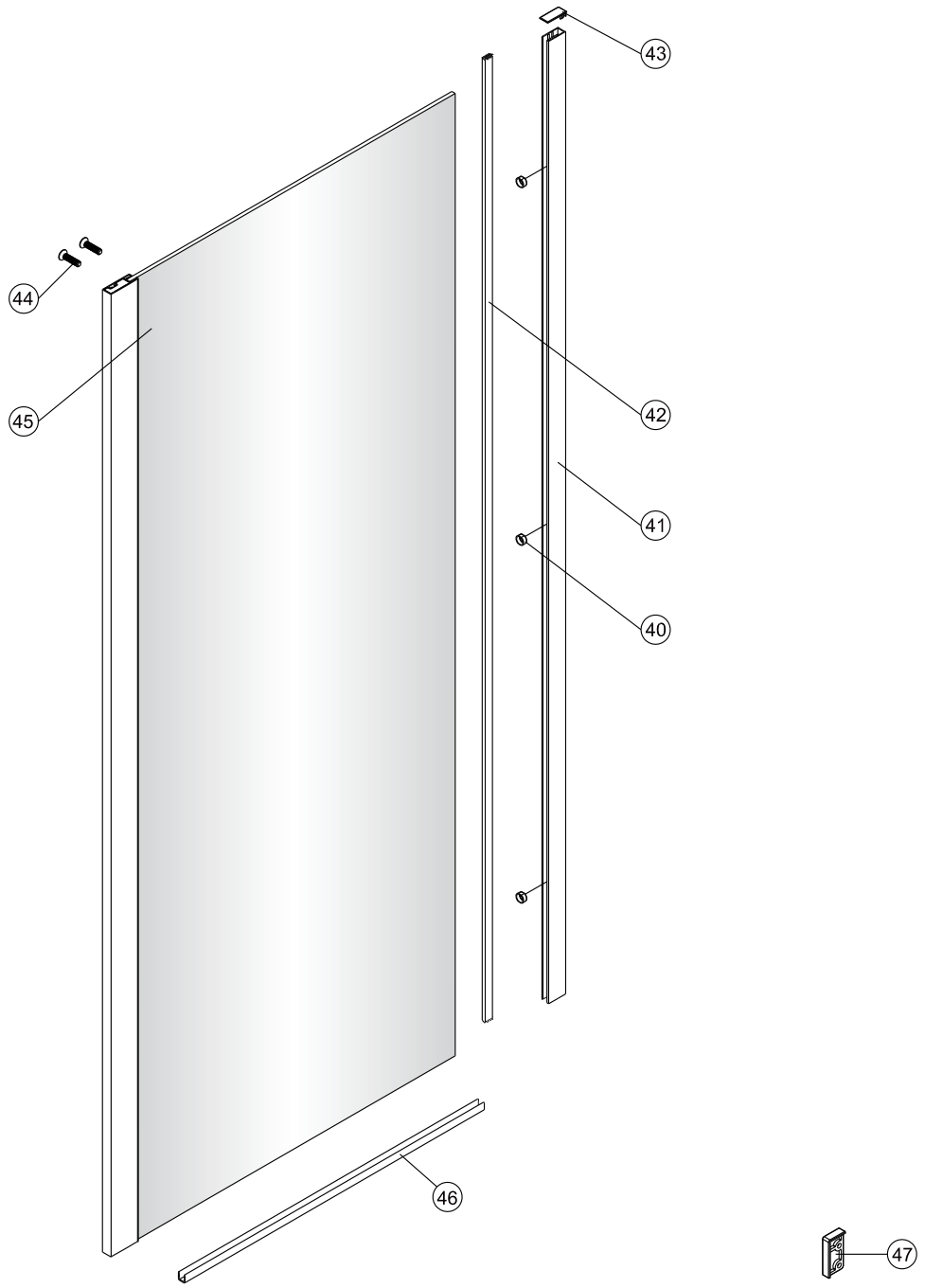
Droit / Right

6835, PICARD
SAINT-HYACINTHE (QUEBEC) J2S 1H3
CANADA

TELEPHONE : 450 773 7058
TELECOPIE / FAX : 450 773 5063
SANS FRAIS / TOLL FREE: 1 888 366 7058

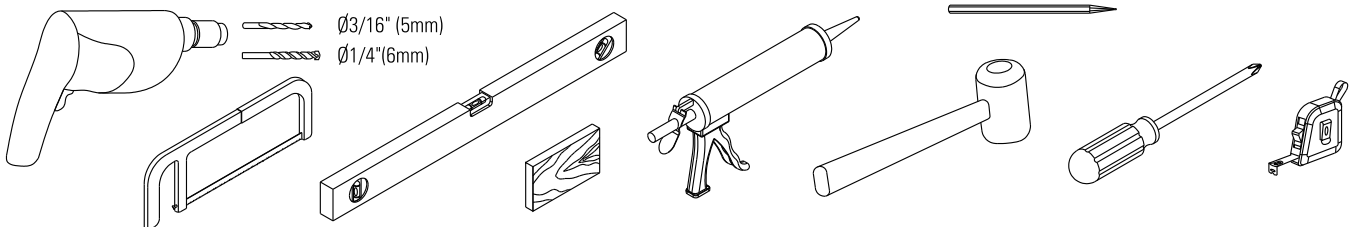
produitsneptune.com

Modèle / Model	Boîte # / Box #	Composante(s) / Component(s)	LOT
SELLA 3248	1	SELLA RET32 CHR/CL	LOT #0
	2	SELLA 48 CHR/CL	LOT #0

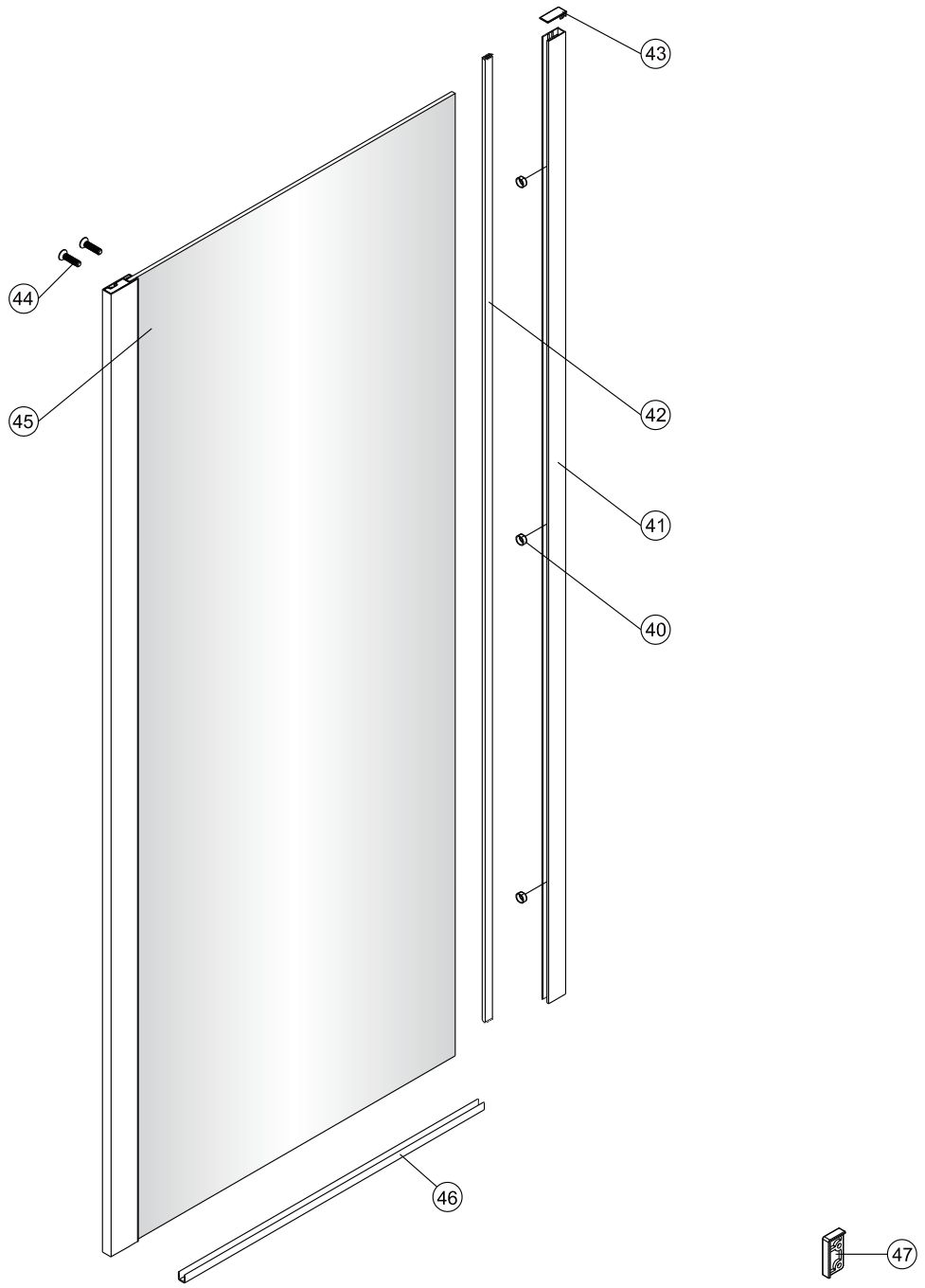


40 x3	41 x1	42 x1	43 x1	44 x2 M4X20	45 x1	46 x1	47 x1
----------	----------	----------	----------	-------------------	----------	----------	----------

Matériel requis non-inclus/Required materials not included

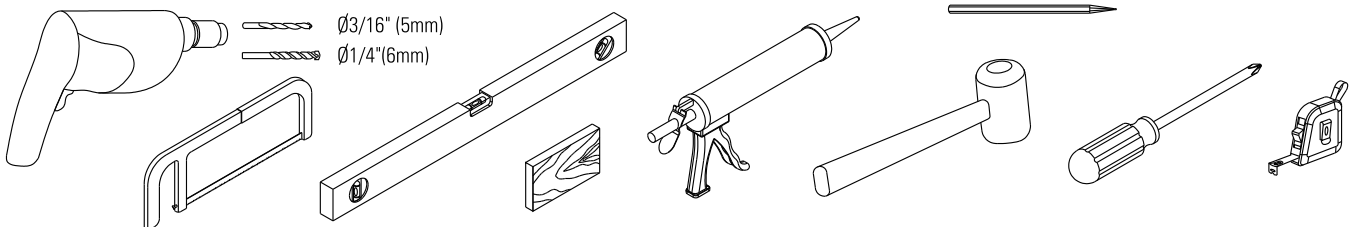


Modèle / Model	Boîte # / Box #	Composante(s) / Component(s)	LOT
SELLA 3648	1	SELLA RET36 CHR/CL	LOT #0
	2	SELLA 48 CHR/CL	LOT #0

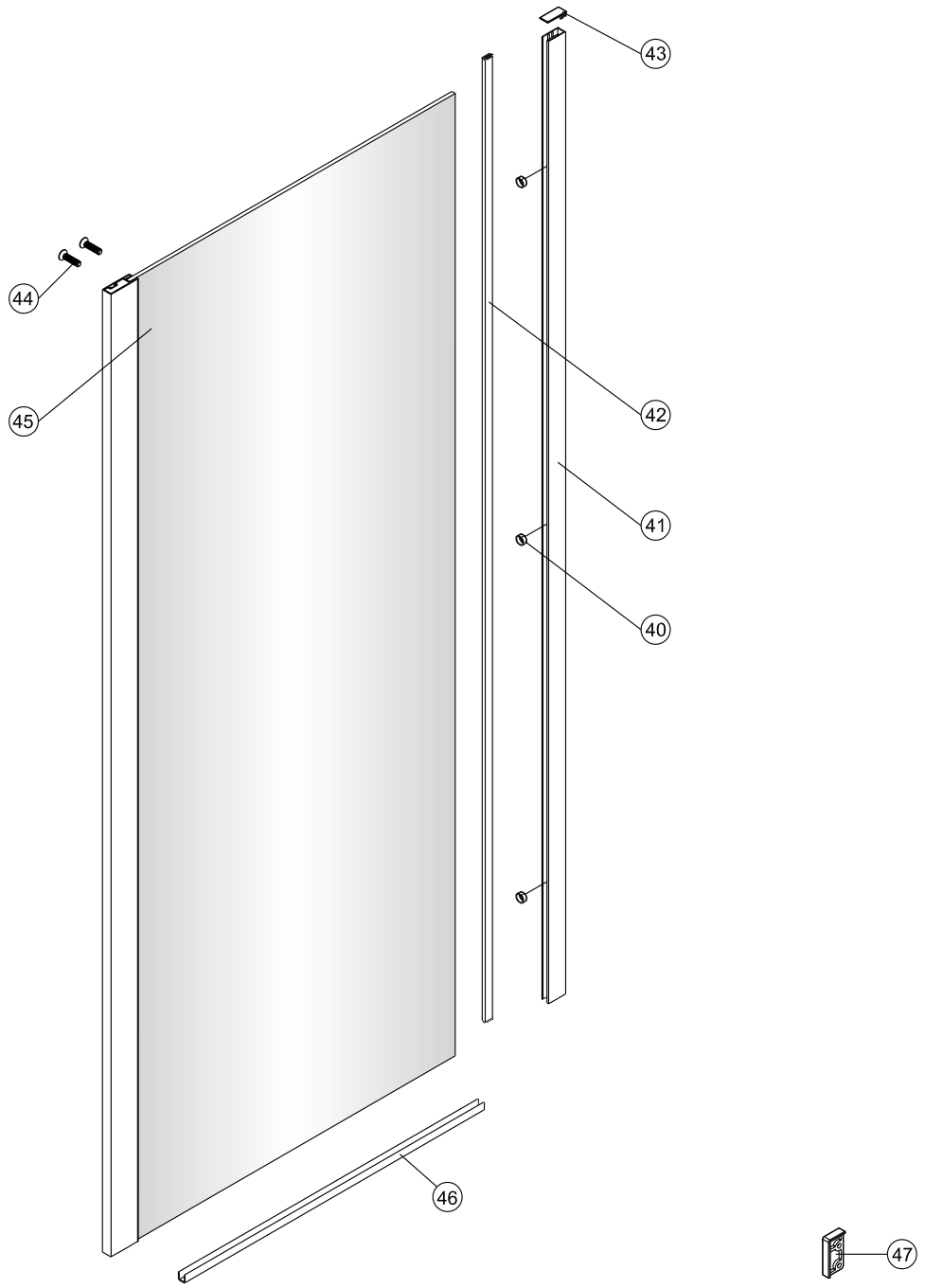


40 x3	41 x1	42 x1	43 x1	44 x2 M4X20	45 x1	46 x1	47 x1
----------	----------	----------	----------	-------------------	----------	----------	----------

Matériel requis non-inclus/Required materials not included

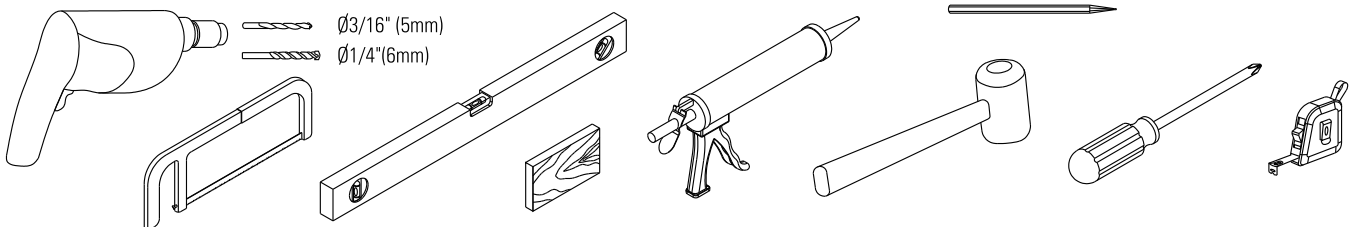


Modèle / Model	Boîte # / Box #	Composante(s) / Component(s)	LOT
SELLA 3260	1	SELLA RET32 CHR/CL	LOT #0
	2	SELLA 60 CHR/CL	LOT #0

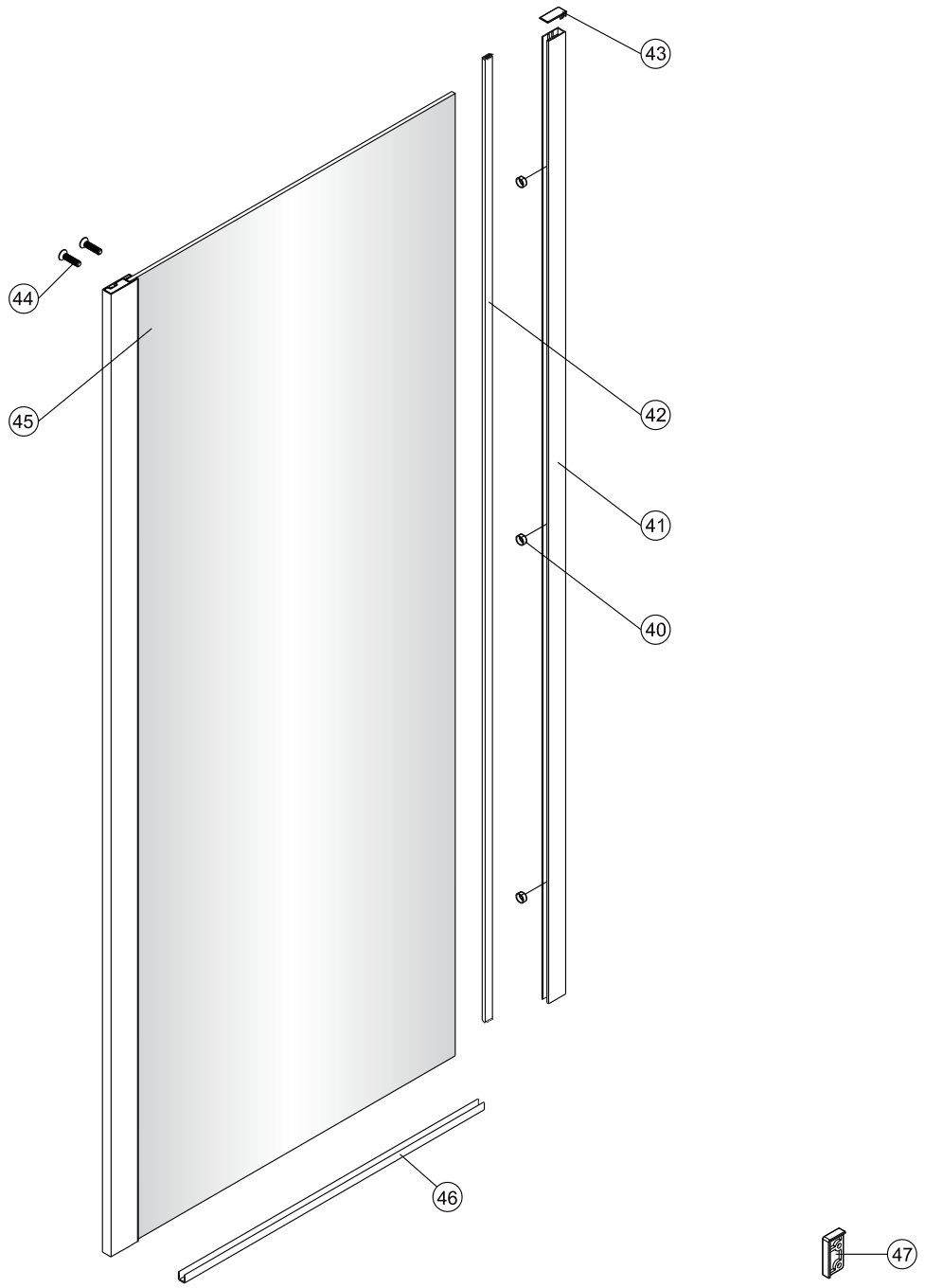


40 x3	41 x1	42 x1	43 x1	44 x2 M4X20	45 x1	46 x1	47 x1
----------	----------	----------	----------	-------------------	----------	----------	----------

Matériel requis non-inclus/Required materials not included

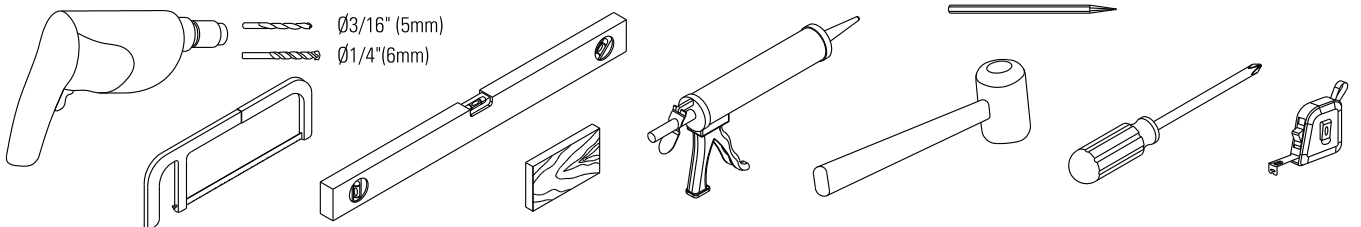


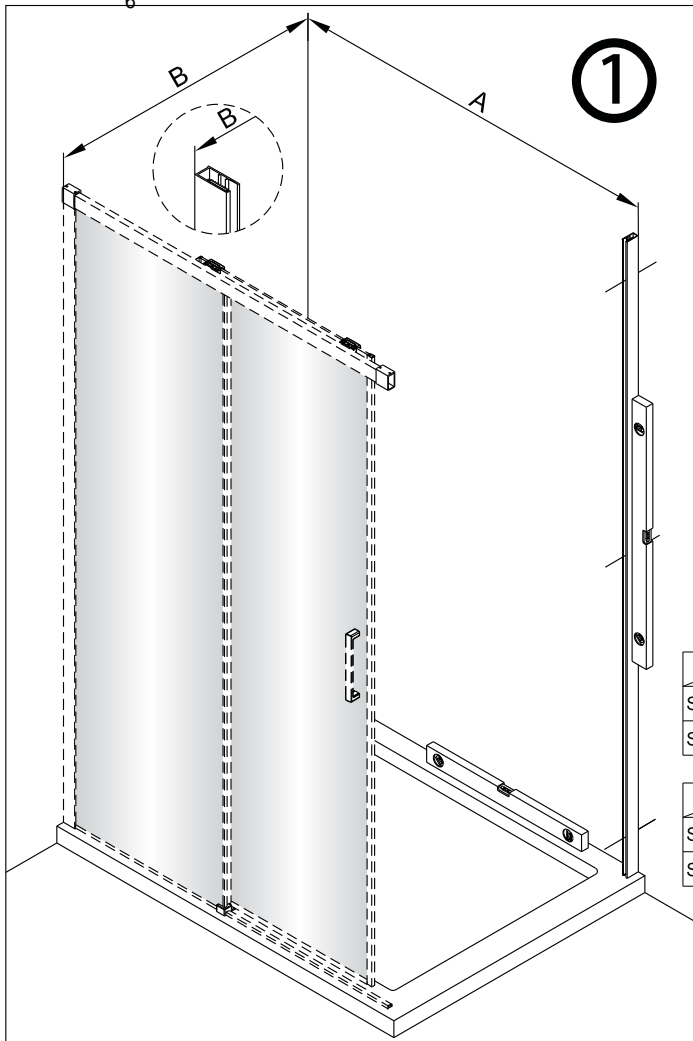
Modèle / Model	Boîte # / Box #	Composante(s) / Component(s)	LOT
SELLA 3660	1	SELLA RET36 CHR/CL	LOT #0
	2	SELLA 60 CHR/CL	LOT #0



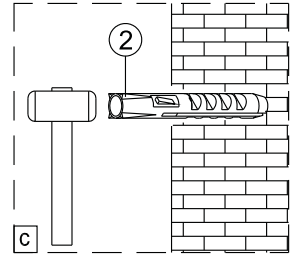
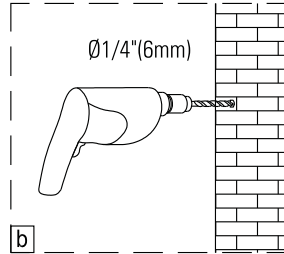
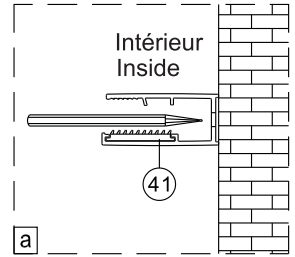
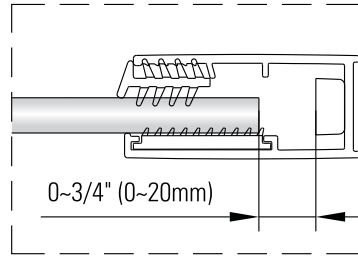
40 x3	41 x1	42 x1	43 x1	44 x2 M4X20	45 x1	46 x1	47 x1
----------	----------	----------	----------	-------------------	----------	----------	----------

Matériel requis non-inclus/Required materials not included



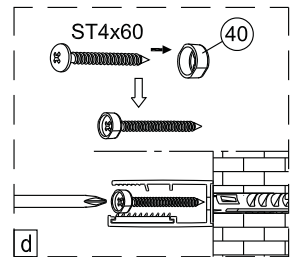


1

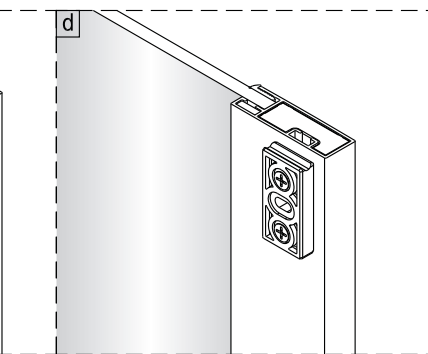
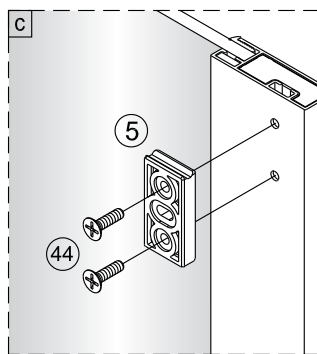
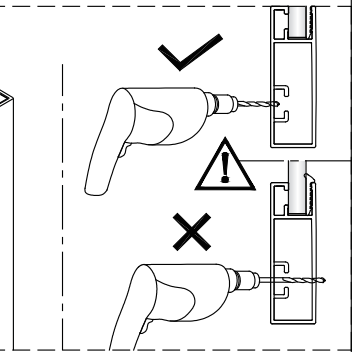
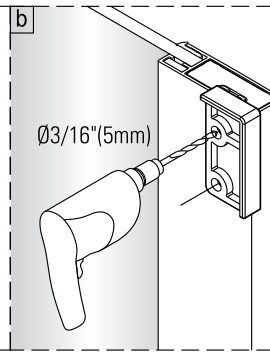
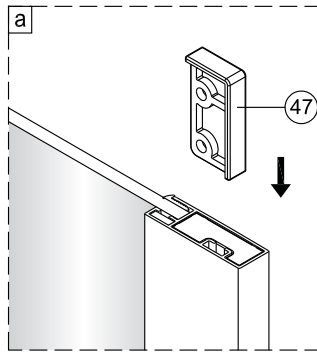
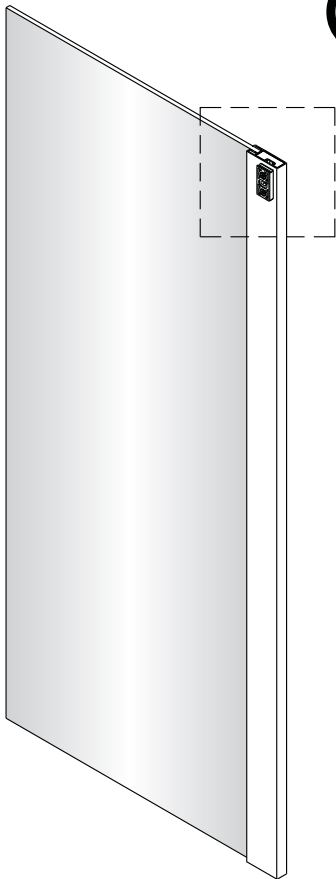


	A(mm)	A(po/in)
SELLA 48	1165~1185	45 7/8 ~46 5/8
SELLA 60	1465~1485	57 11/16~58 7/16

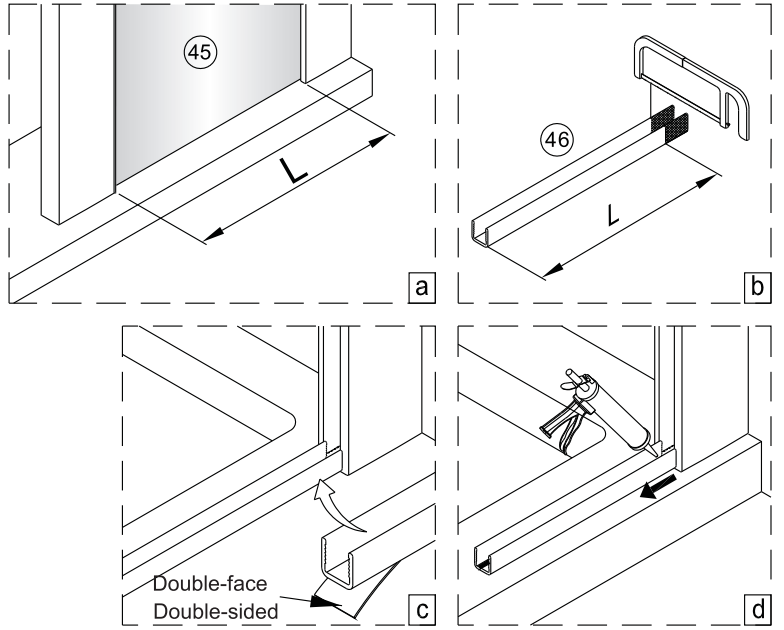
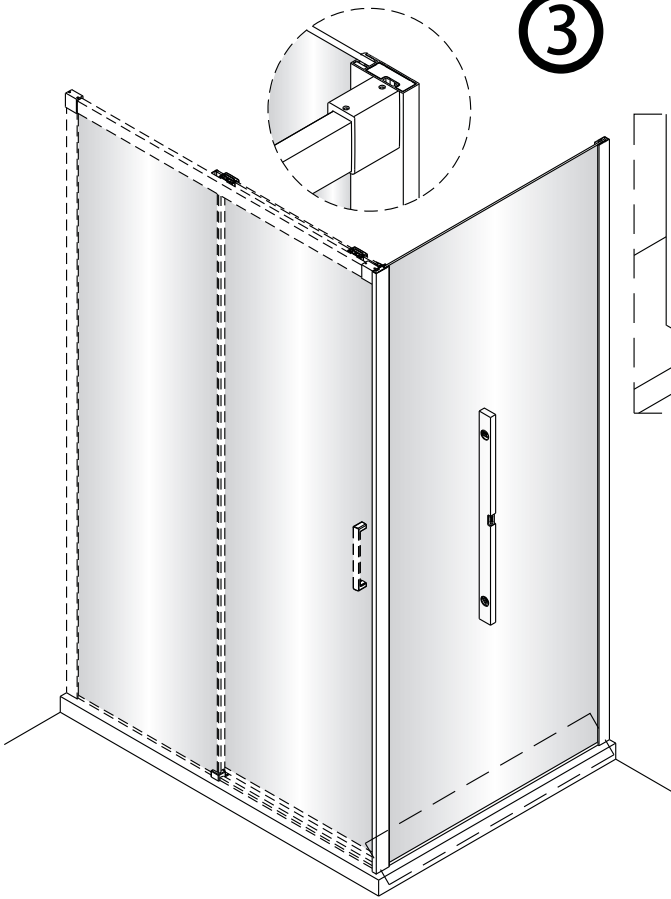
	B(mm)	B(po/in)
SELLA 32	763~783	30 1/16~30 13/16
SELLA 36	863~883	34~34 3/4



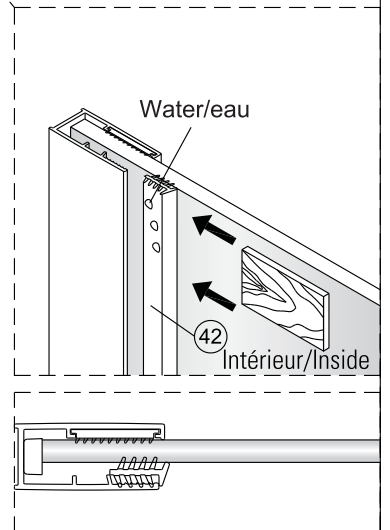
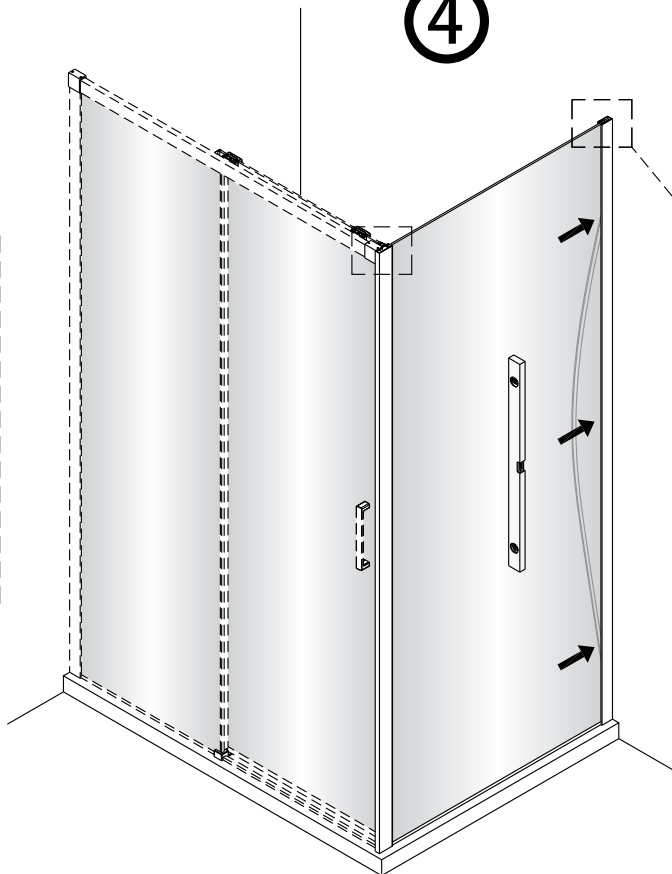
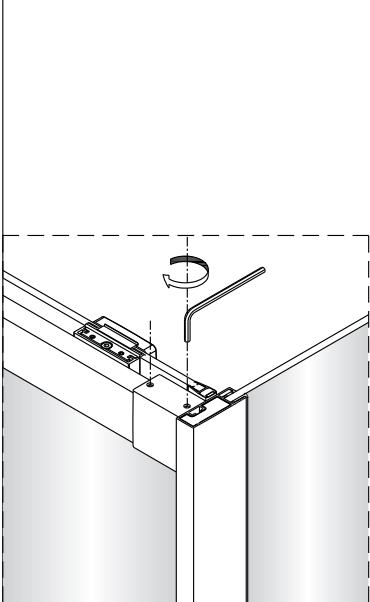
2



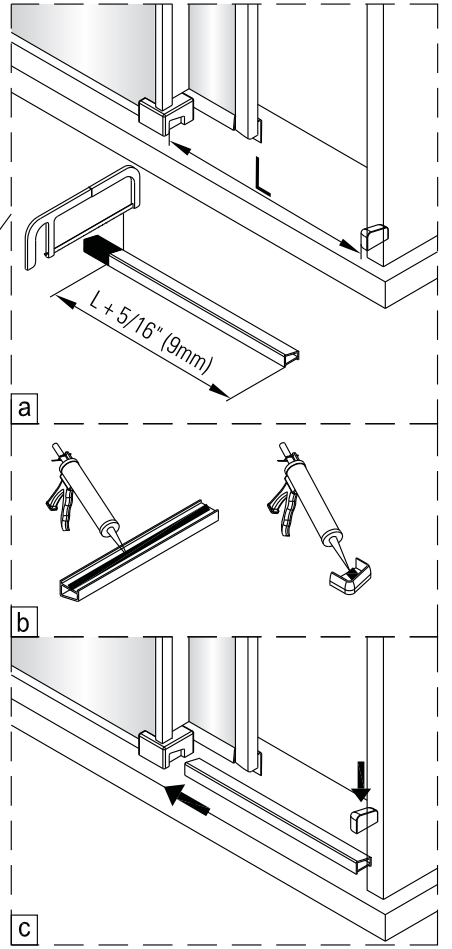
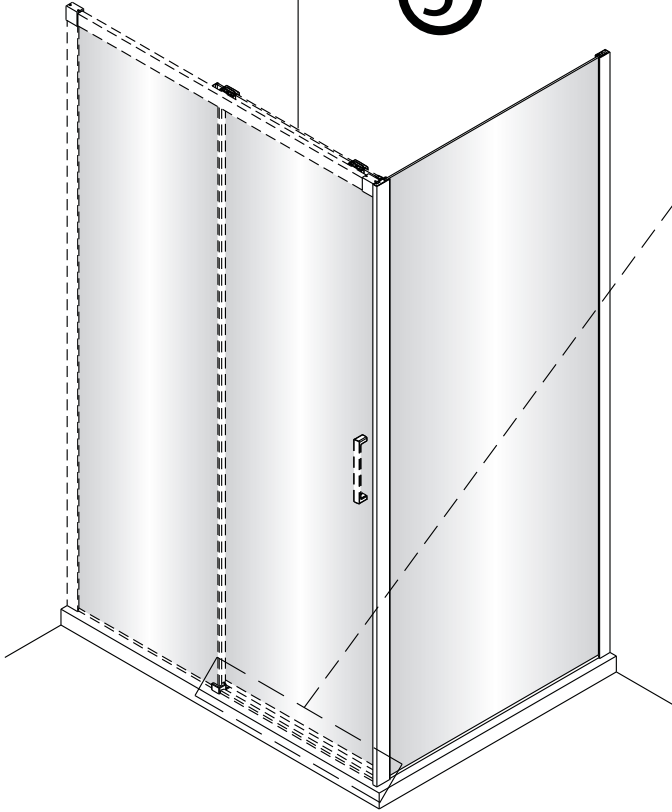
3



4



5



6

