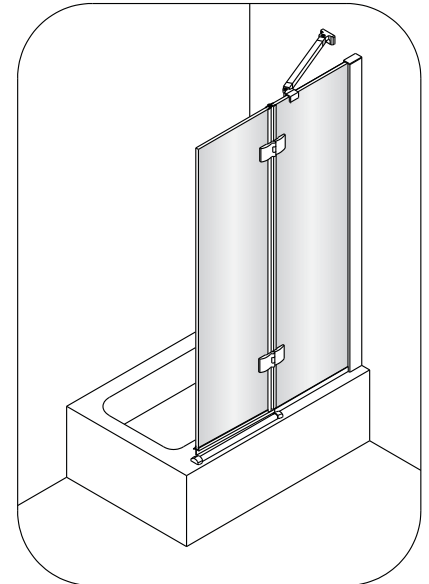
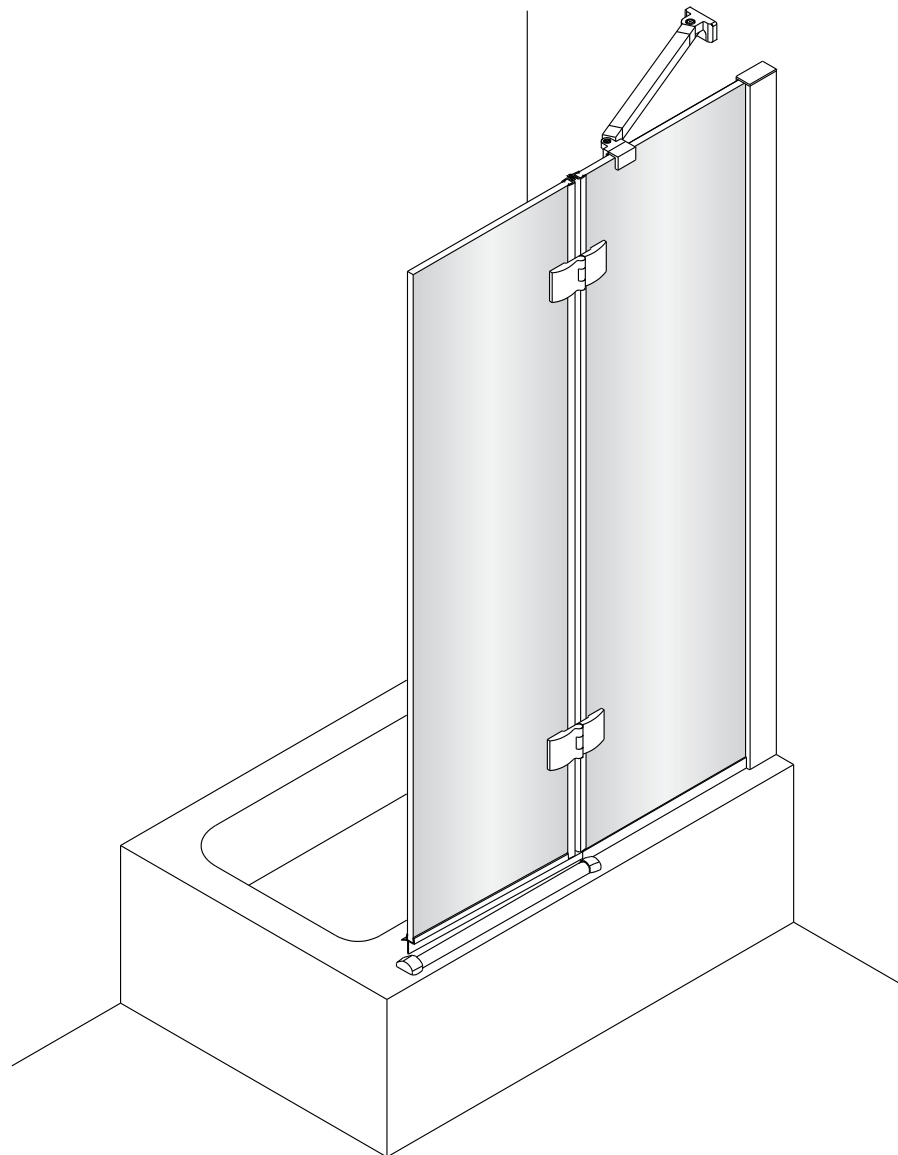




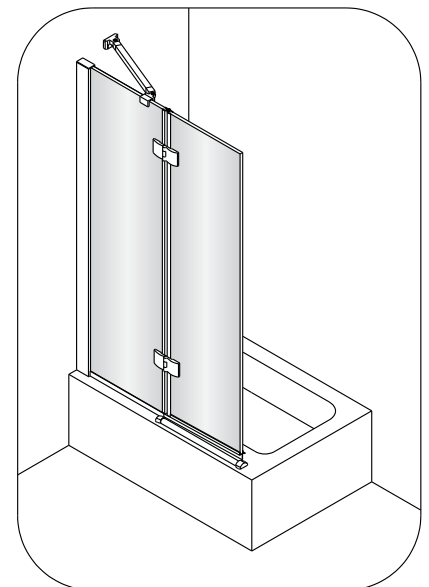
Produits Neptune

# MONZA

## Guide d'installation / Installation manual



Droit / Right

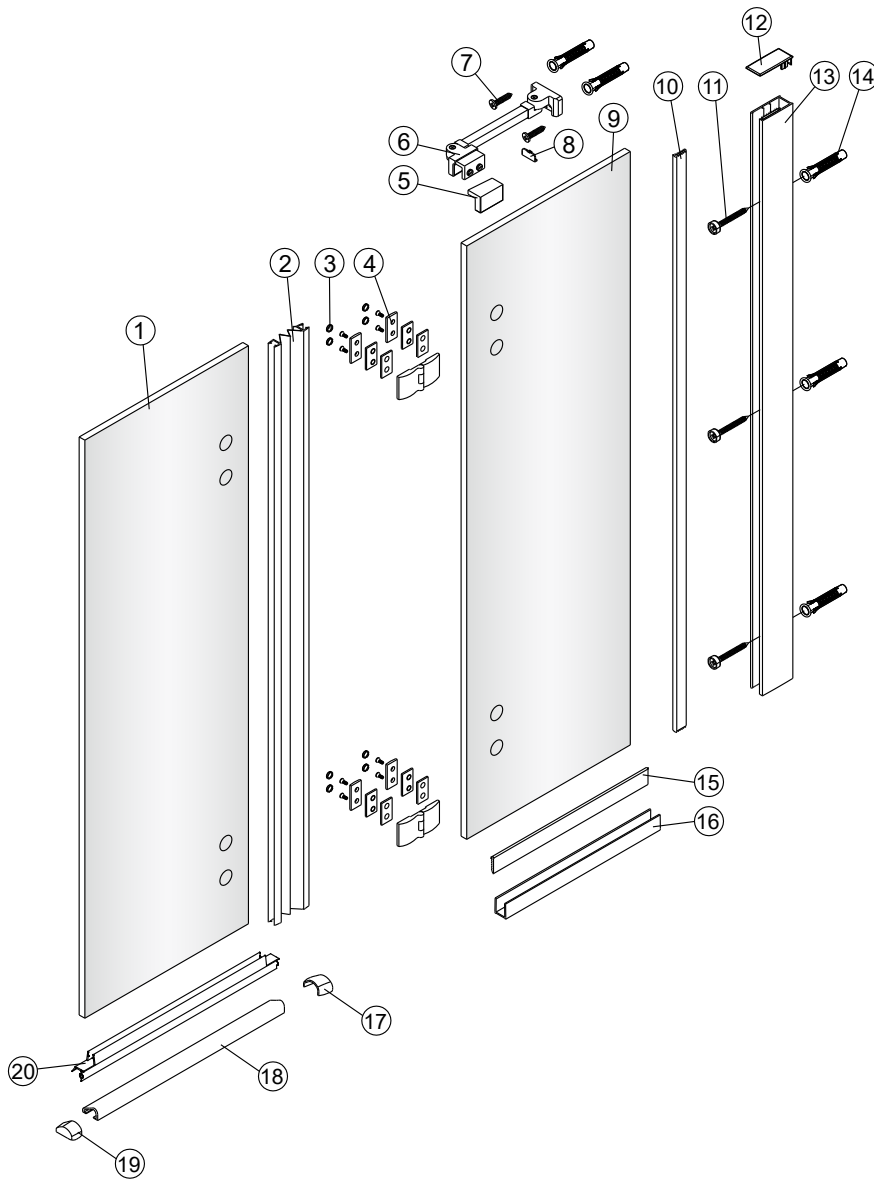


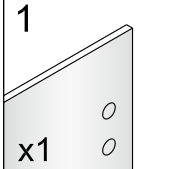
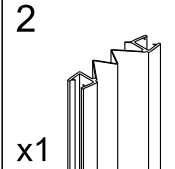
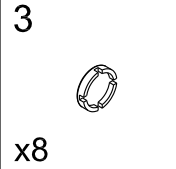
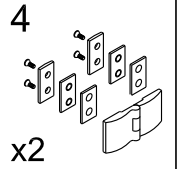
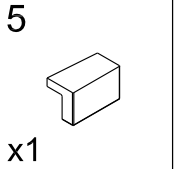
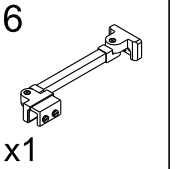
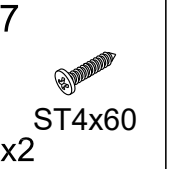
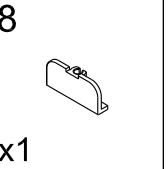
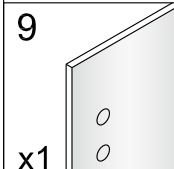
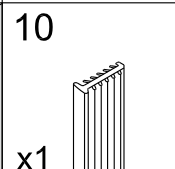
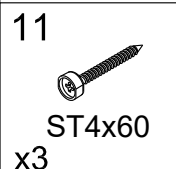
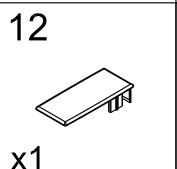
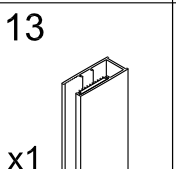
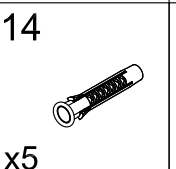
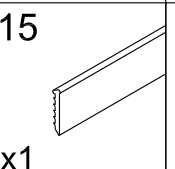
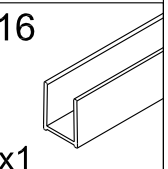
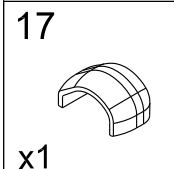
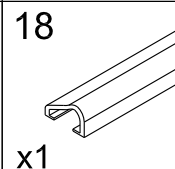
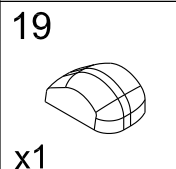
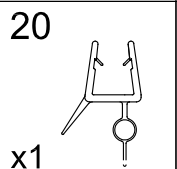
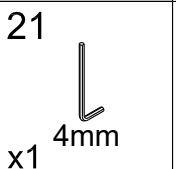
Gauche / Left

6835, PICARD  
SAINT-HYACINTHE (QUEBEC) J2S 1H3  
CANADA

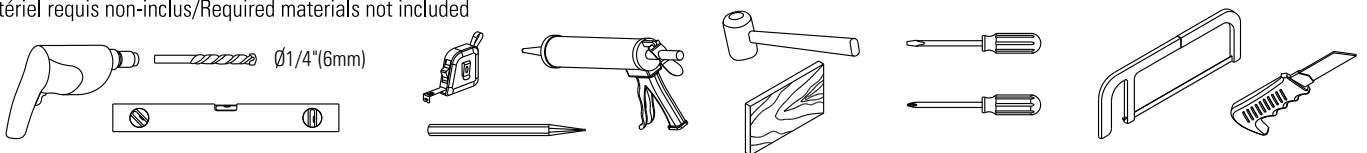
TELEPHONE : 450 773 7058  
TELECOPIE / FAX : 450 773 5063  
SANS FRAIS / TOLL FREE: 1 888 366 7058

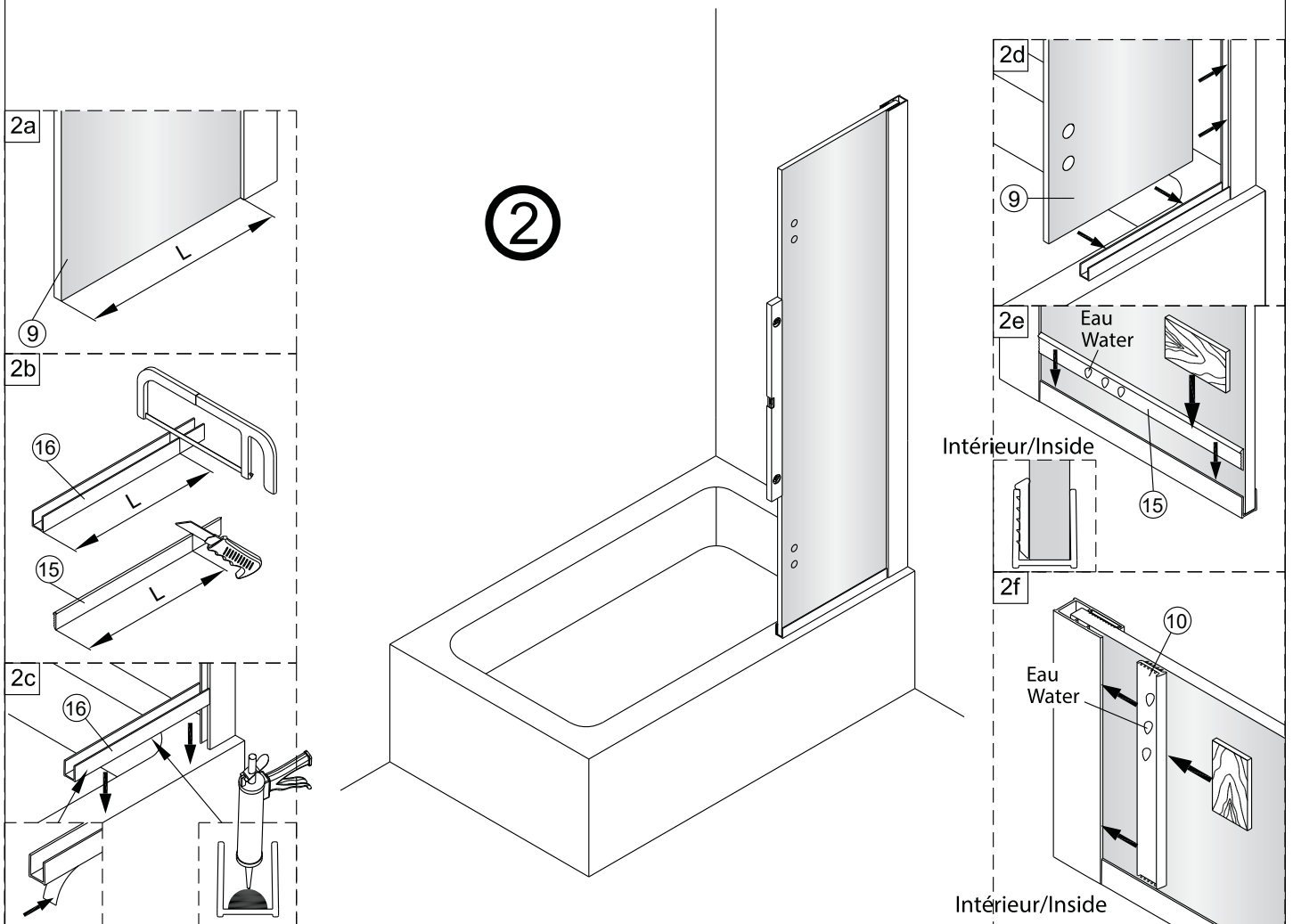
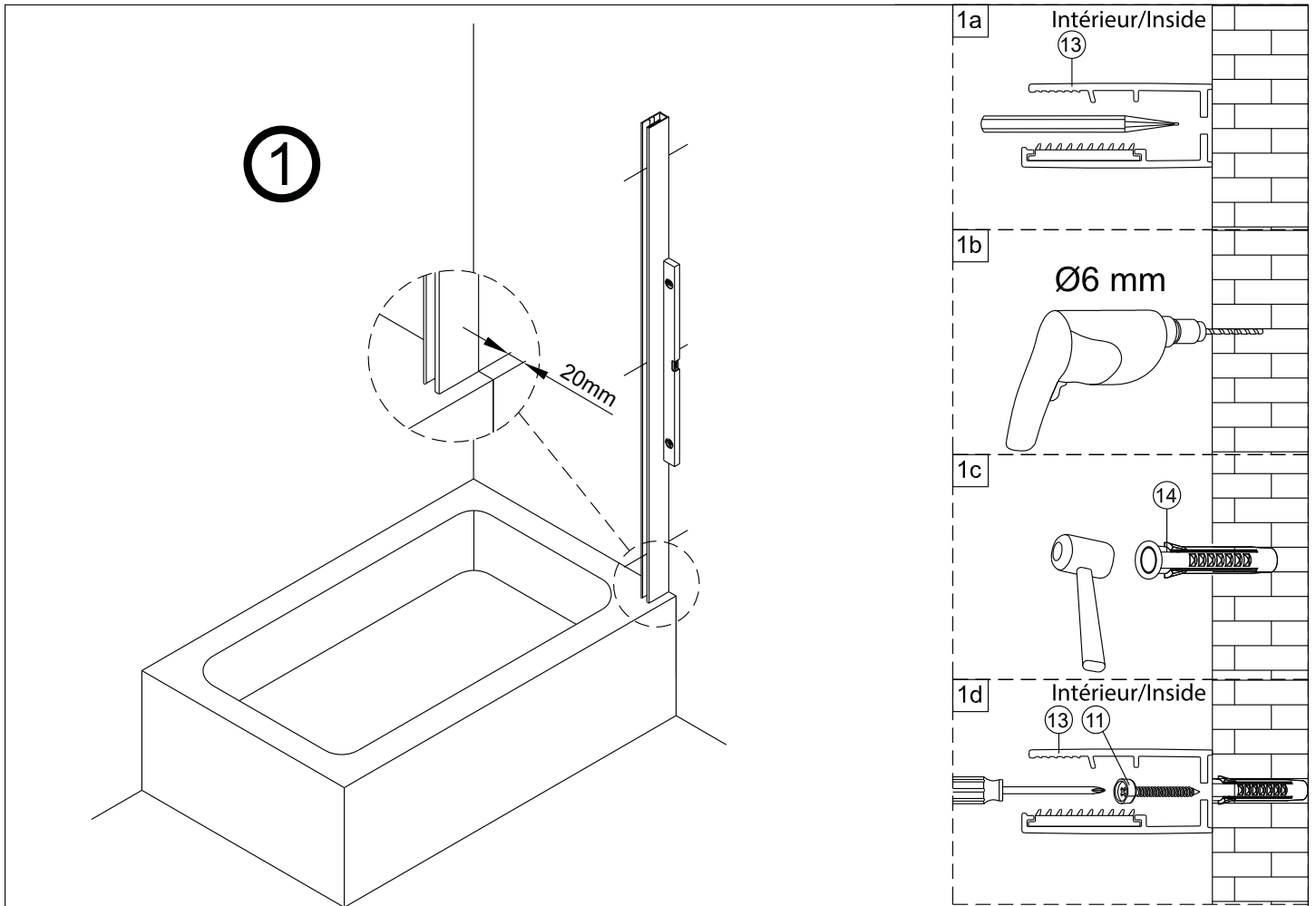
[produitsneptune.com](http://produitsneptune.com)



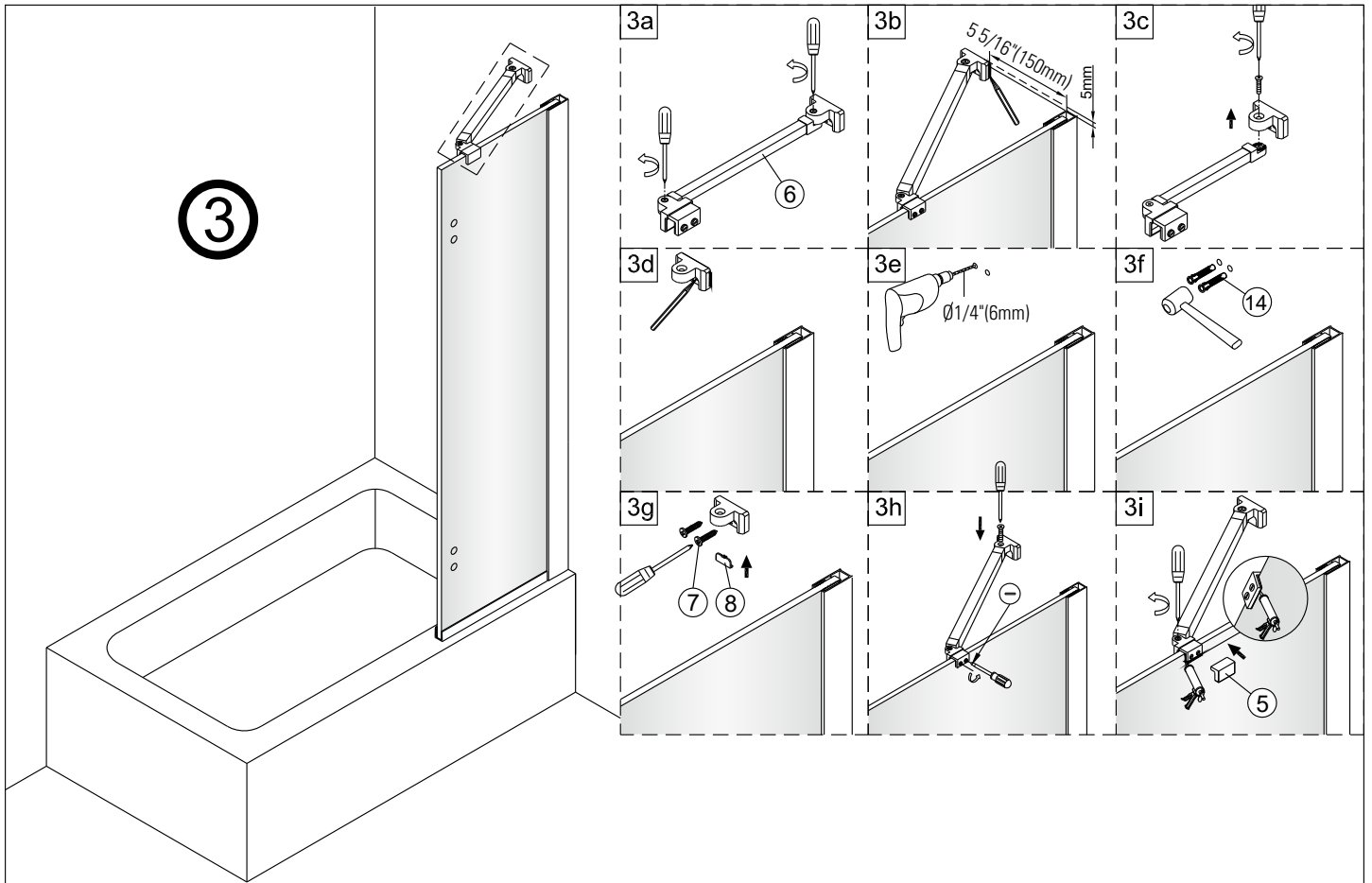
 x1 39.9000.232.00	 x1 39.3000.211.00	 x8 39.5000.165.60	 x2 39.5000.370.60	 x1 39.5000.371.60	 x1 39.5000.372.60	 x2 ST4x60 39.5000.297.00	 x1 39.5000.373.60
 x1 39.9000.233.00	 x1 39.3000.212.00	 x3 ST4x60 39.5000.357.00	 x1 39.5000.342.60	 x1 39.2000.235.60	 x5 39.5000.333.00	 x1 39.3000.213.00	 x1 39.2000.103.60
 x1 39.5000.162.60	 x1 39.2000.236.60	 x1 39.5000.163.60	 x1 39.3000.214.00	 x1 4mm 39.5000.118.00			

Matériel requis non-inclus/Required materials not included

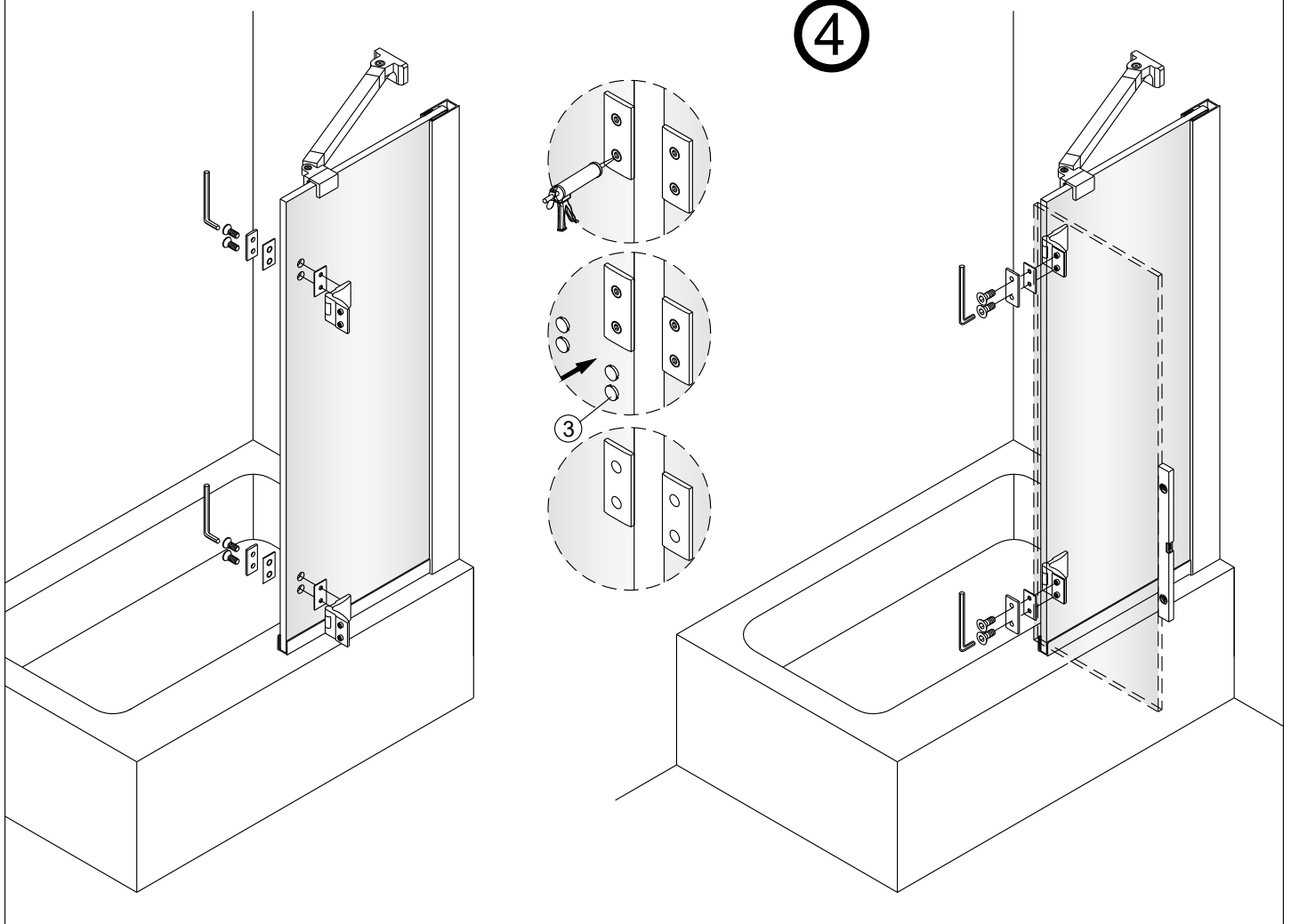




3

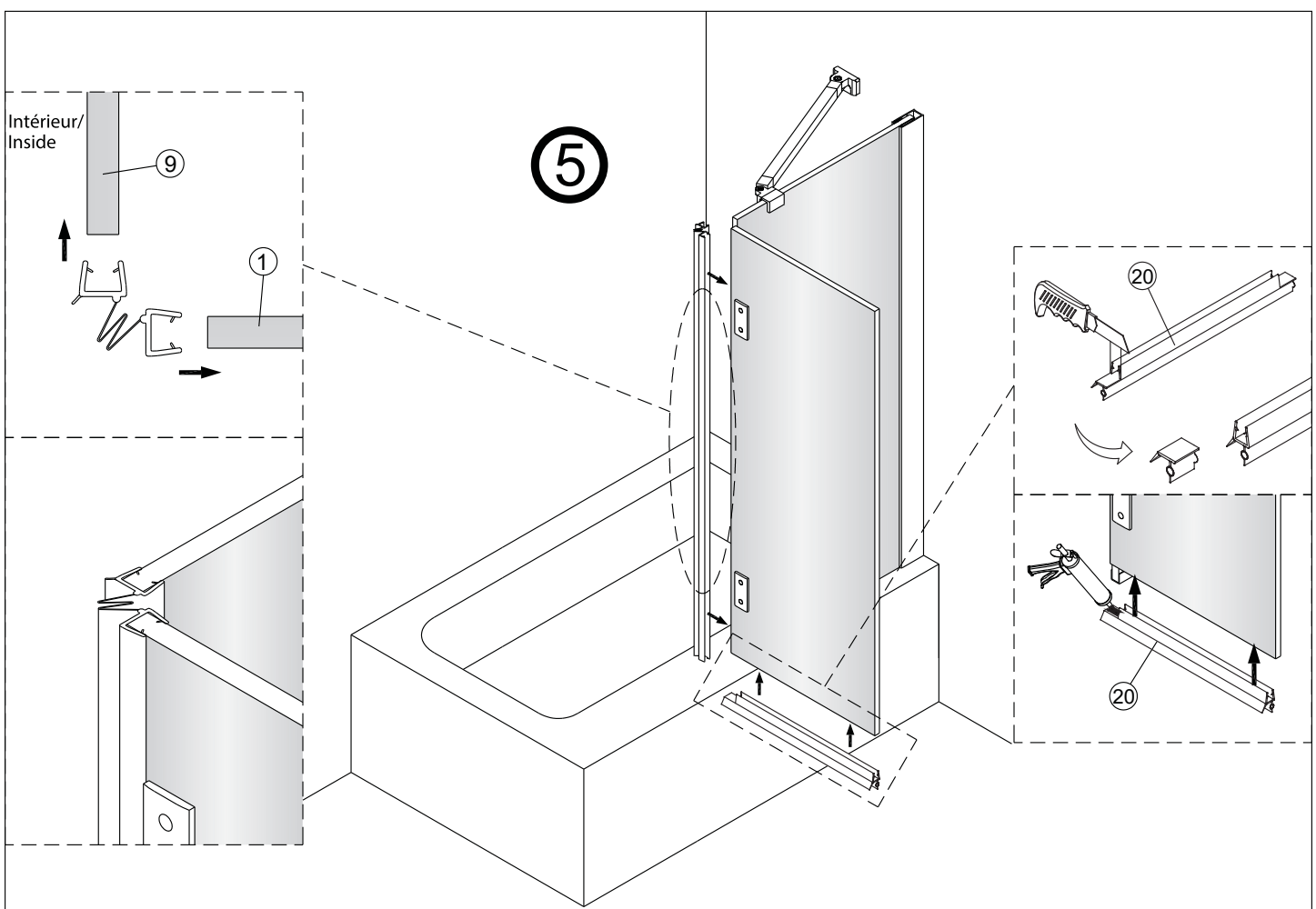


4

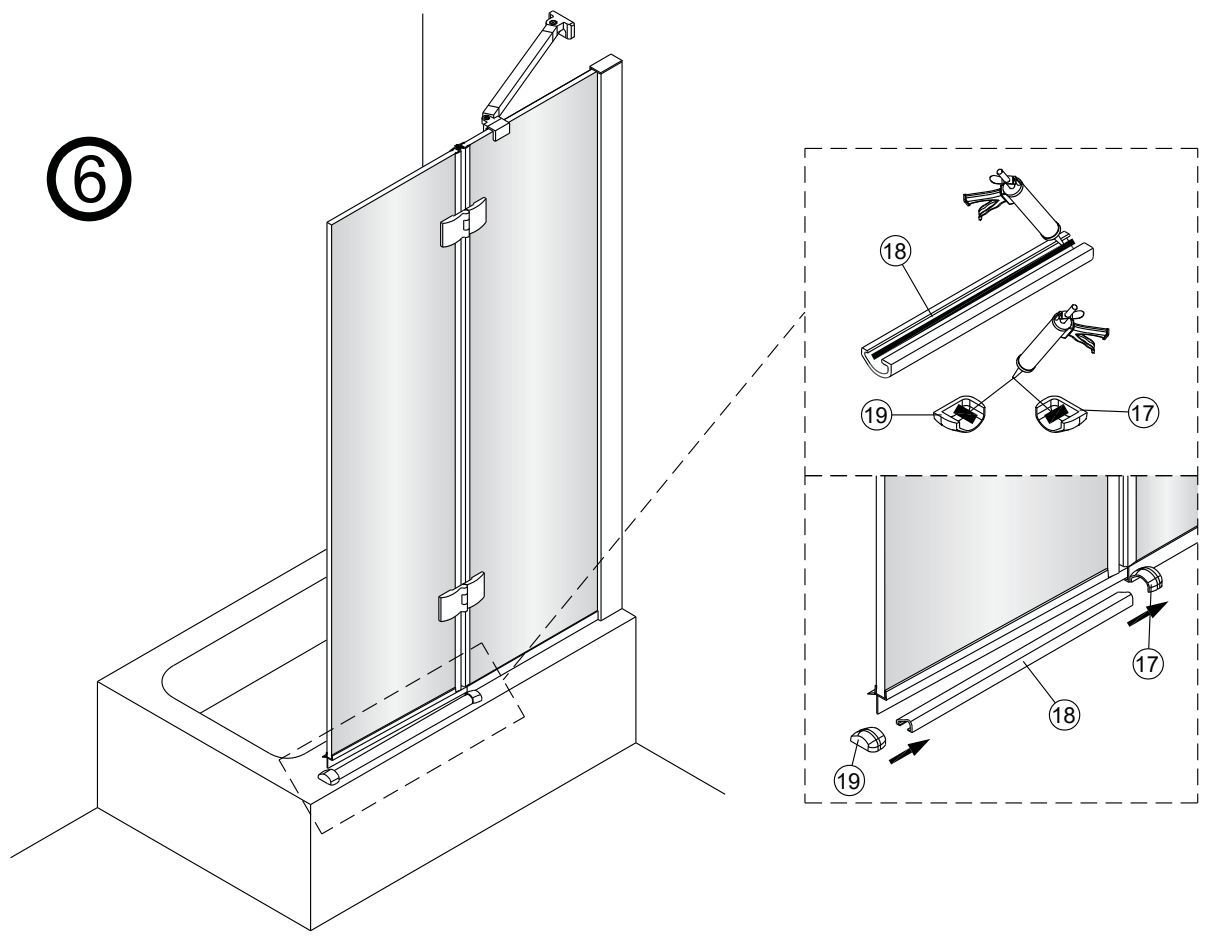


5

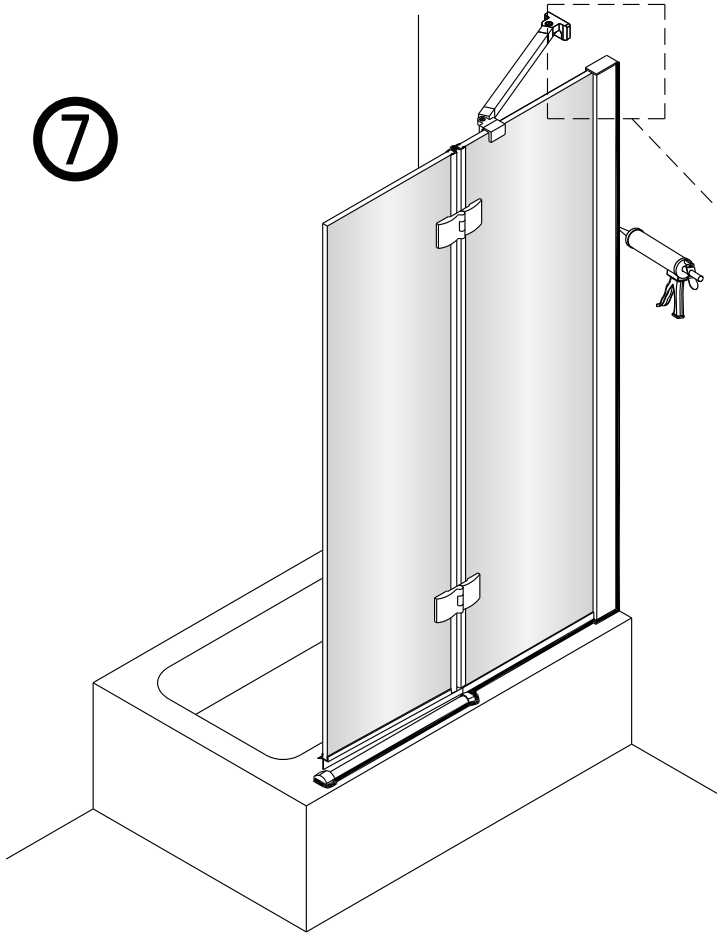
Intérieur/  
Inside



6



7



24H

