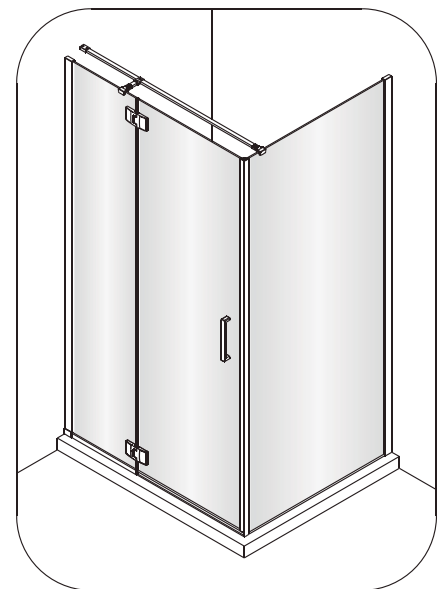
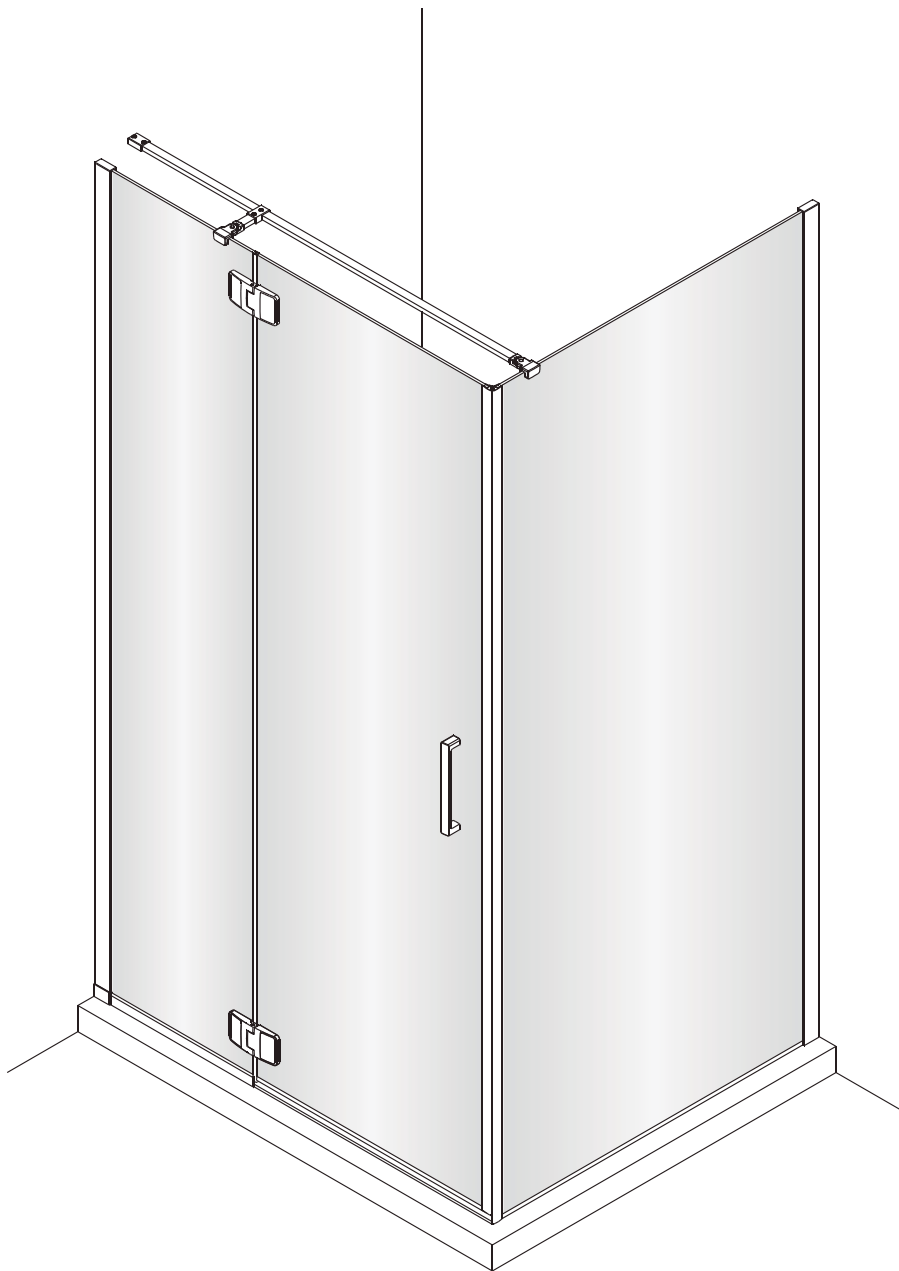




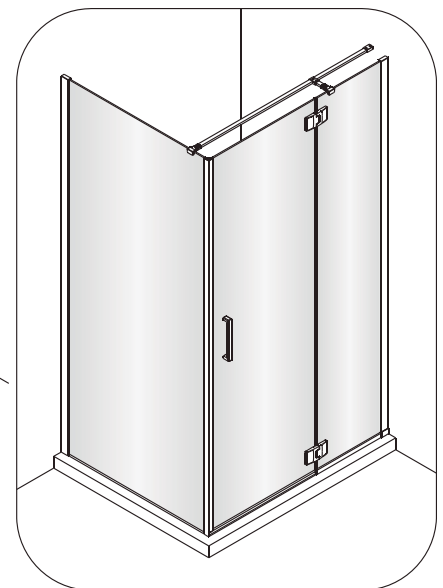
Produits Neptune

DESIGN AMÉLIORÉ  
IMPROVED DESIGN

AZELIA 3636 - AZELIA 3642 - AZELIA 3248 - AZELIA 3648  
AZELIA 3260 - AZELIA 3660  
Guide d'installation / Installation manual



Gauche / Left



Droit / Right

6835, PICARD  
SAINT-HYACINTHE (QUEBEC) J2S 1H3  
CANADA

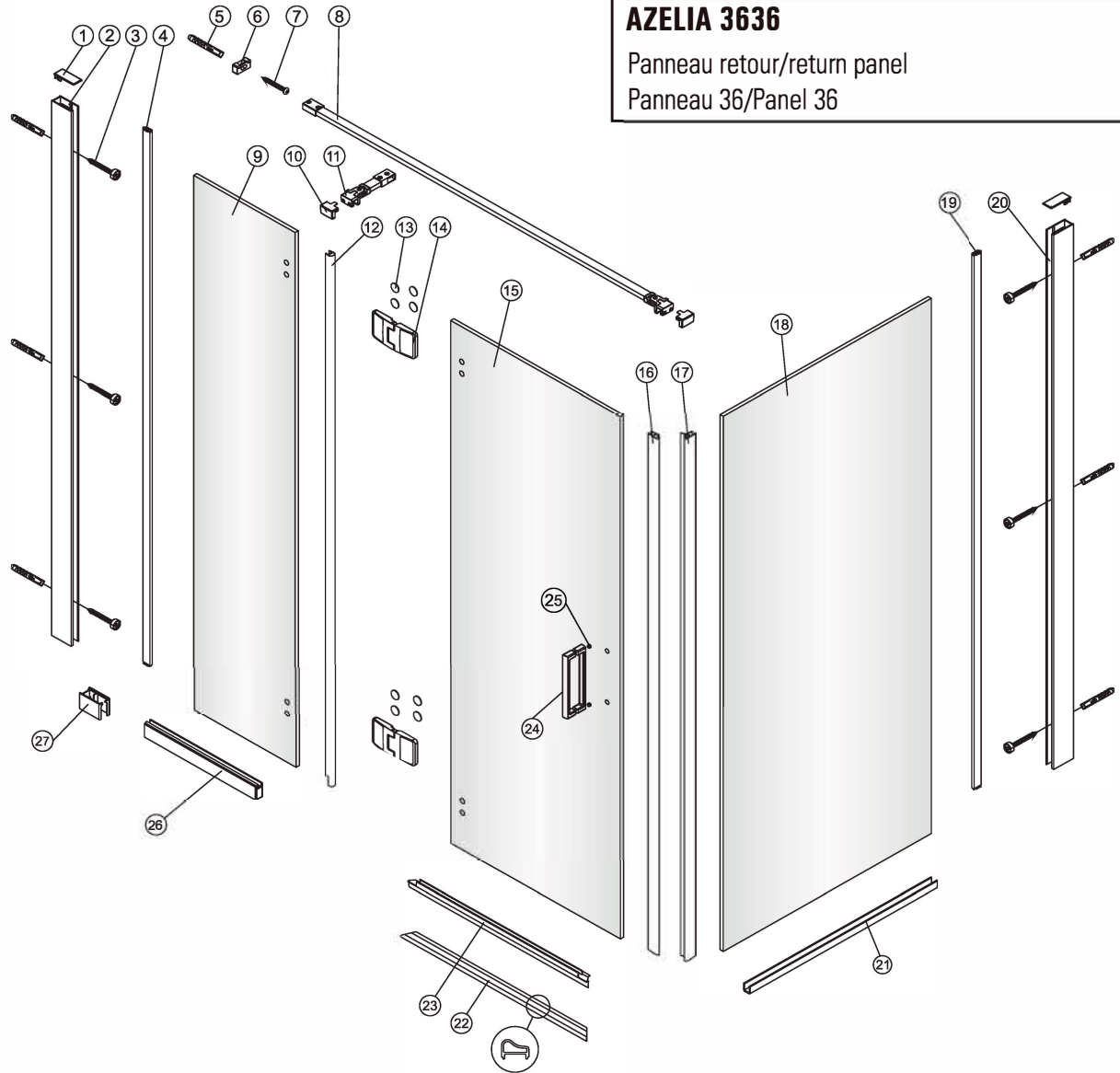
TELEPHONE : 450 773 7058  
SANS FRAIS / TOLL FREE: 1 888 366 7058

[produitsneptune.com](http://produitsneptune.com)

REV: 11-2024

# AZELIA 3636

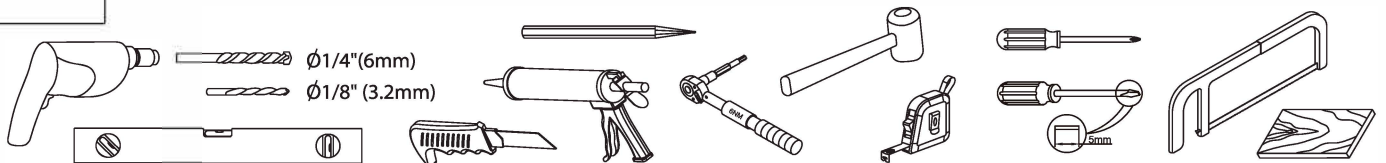
Panneau retour/return panel  
Panneau 36/Panel 36



1 x2	2 x1	3 x6 ST4x60	4 x1	5 x7	6 x1	7 x1 ST4x60	8 x1	9 x1	10 x2
11 x1	12 x1	13 x8	14 x2	15 x1	16 x1	17 x1	18 x1	19 x1 L=1880	20 x1 L=1880
21 x1	22 x1	23 x1	24 x1	25 x1	26 x1	27 x1 Gauche/Left	28 x1 Droit/Right	29 x1	30 x1 4mm

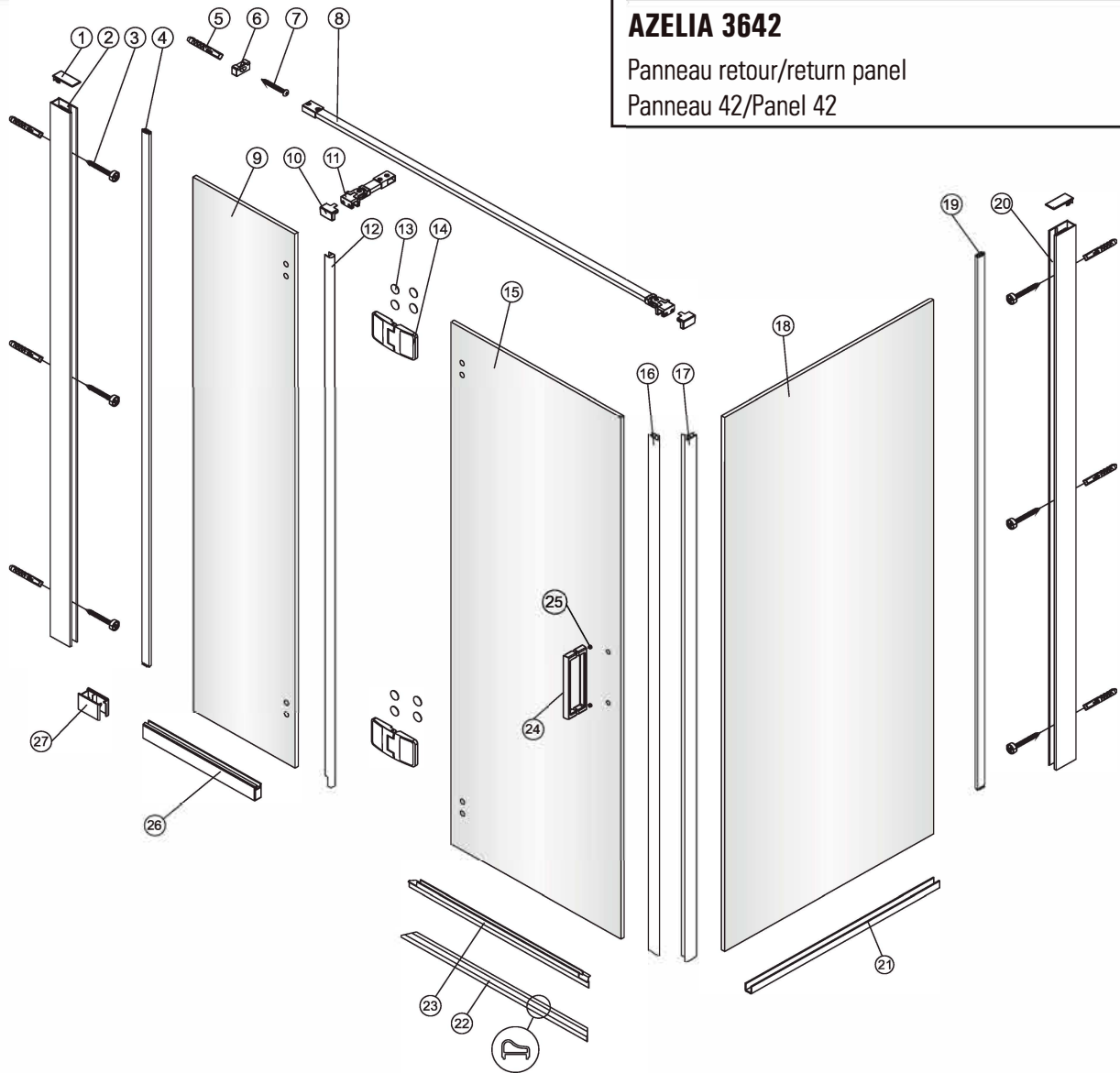
31 x1 2mm
-----------------

Matériel requis non-inclus/Required materials not included



# AZELIA 3642

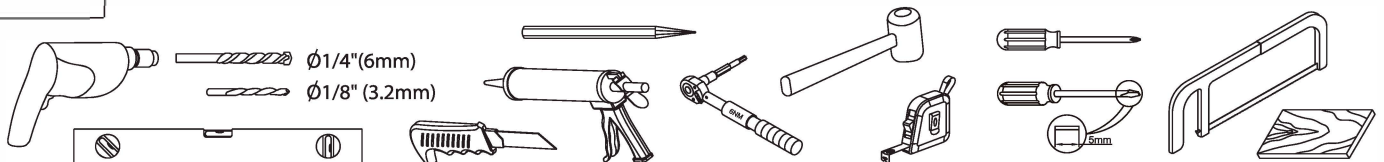
Panneau retour/return panel  
Panneau 42/Panel 42



1 x2	2 x1	3 x6 ST4x60	4 x1	5 x7	6 x1	7 x1 ST4x60	8 x1	9 x1	10 x2
11 x1	12 x1	13 x8	14 x2	15 x1	16 x1	17 x1	18 x1	19 x1 L=1880	20 x1 L=1880
21 x1	22 x1	23 x1	24 x1	25 x1	26 x1	27 x1 Gauche/Left	28 x1 Droit/Right	29 x1	30 x1 4mm

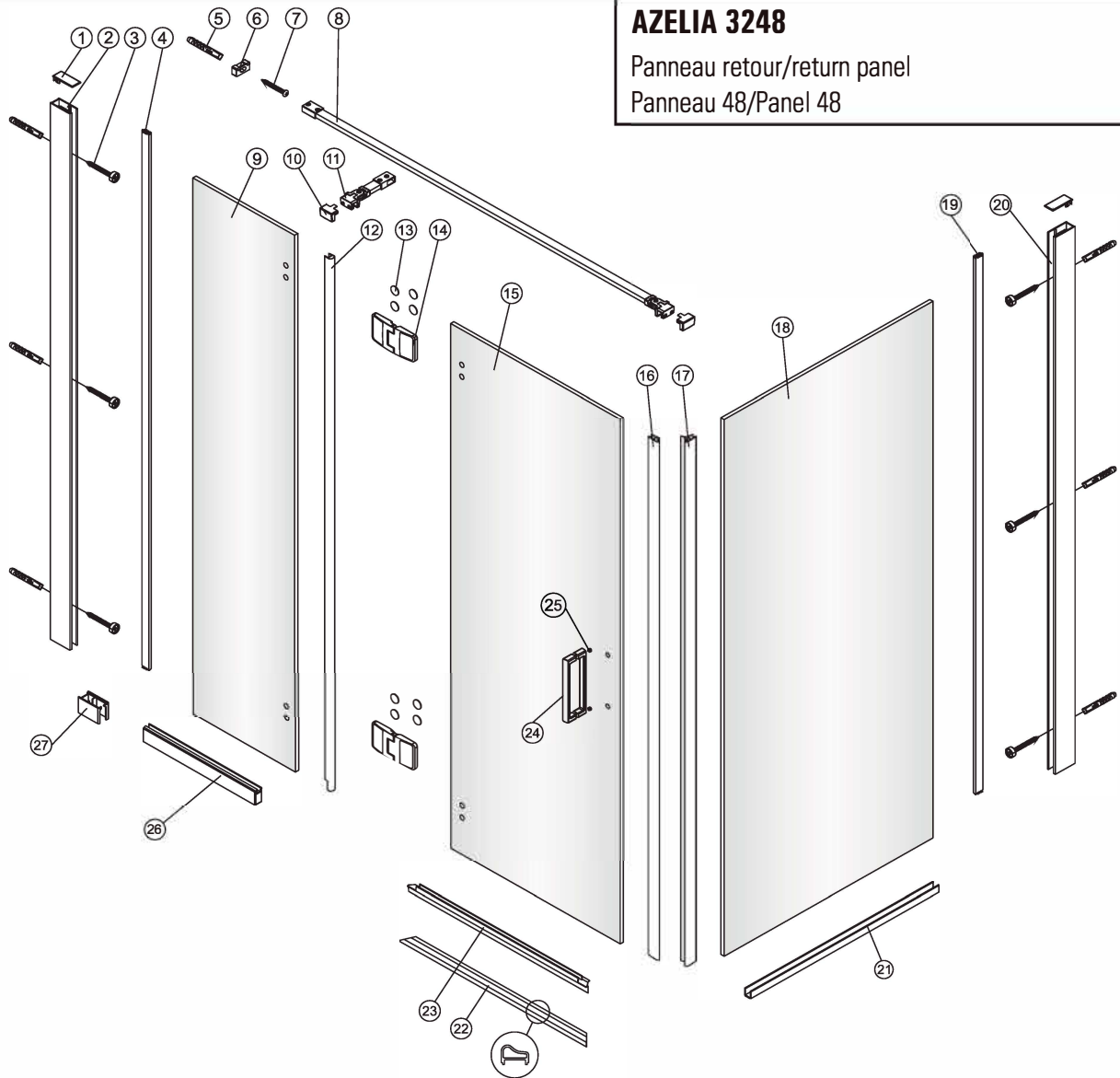
31 x1 2mm
-----------------

Matériel requis non-inclus/Required materials not included



# AZELIA 3248

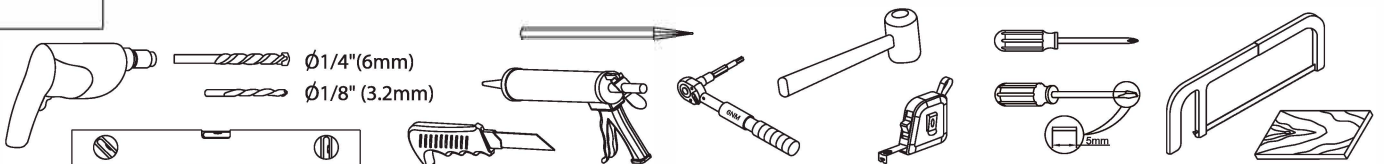
Panneau retour/return panel  
Panneau 48/Panel 48



1 x2	2 x1	3 x6 ST4x60	4 x1	5 x7	6 x1	7 x1 ST4x60	8 x1	9 x1	10 x2
11 x1	12 x1	13 x8	14 x2	15 x1	16 x1	17 x1	18 x1	19 x1 L=1880	20 x1 L=1880
21 x1	22 x1	23 x1	24 x1	25 x1	26 x1	27 x1 Gauche/Left	28 x1 Droit/Right	29 x1	30 x1 4mm

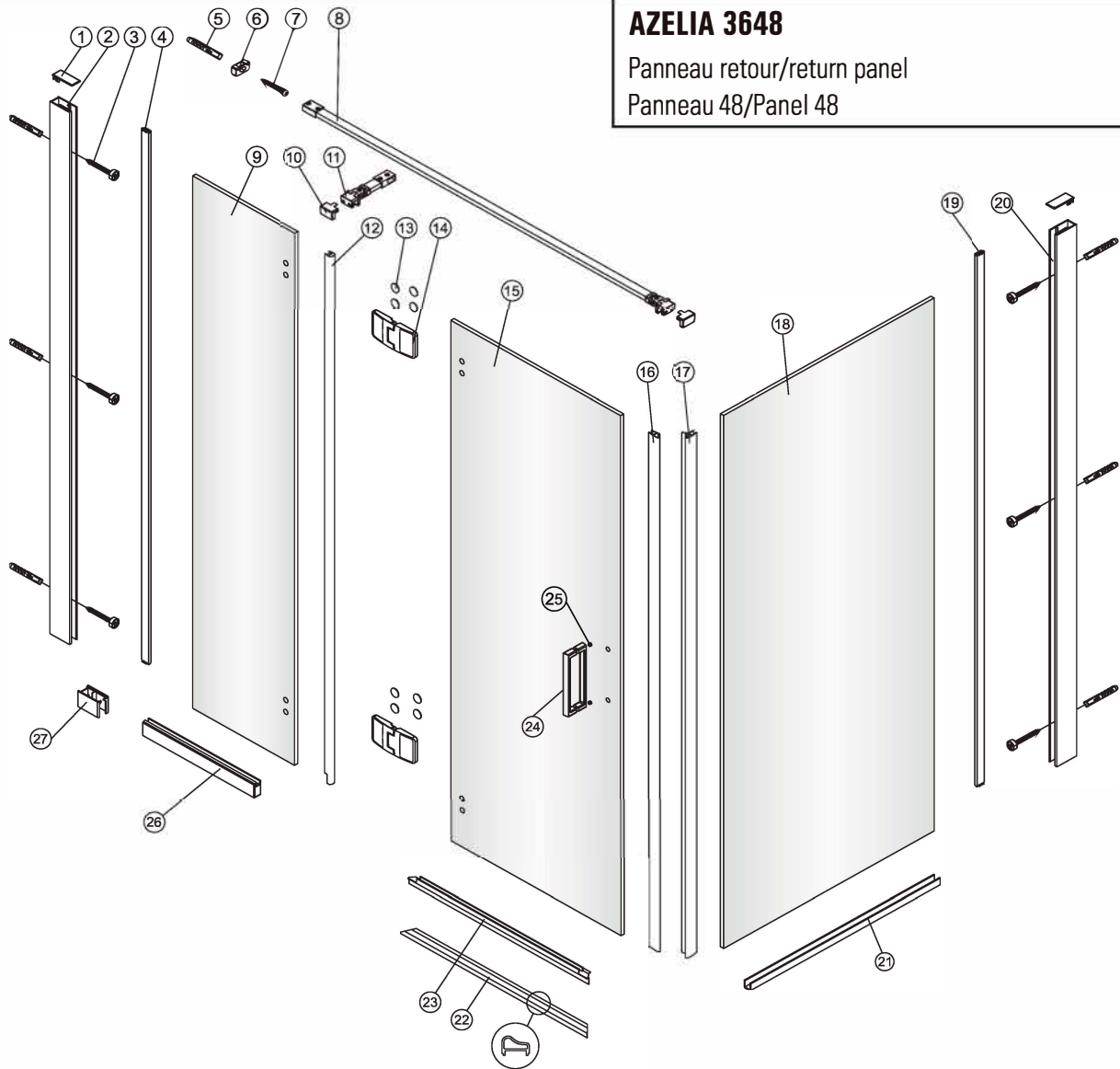
31 x1 2mm
-----------------

Matériel requis non-inclus/Required materials not included

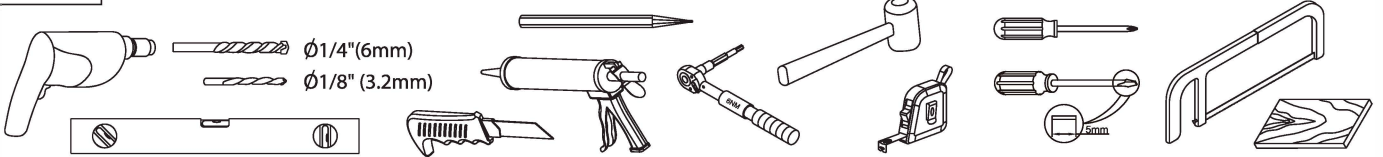


# AZELIA 3648

Panneau retour/return panel  
Panneau 48/Panel 48

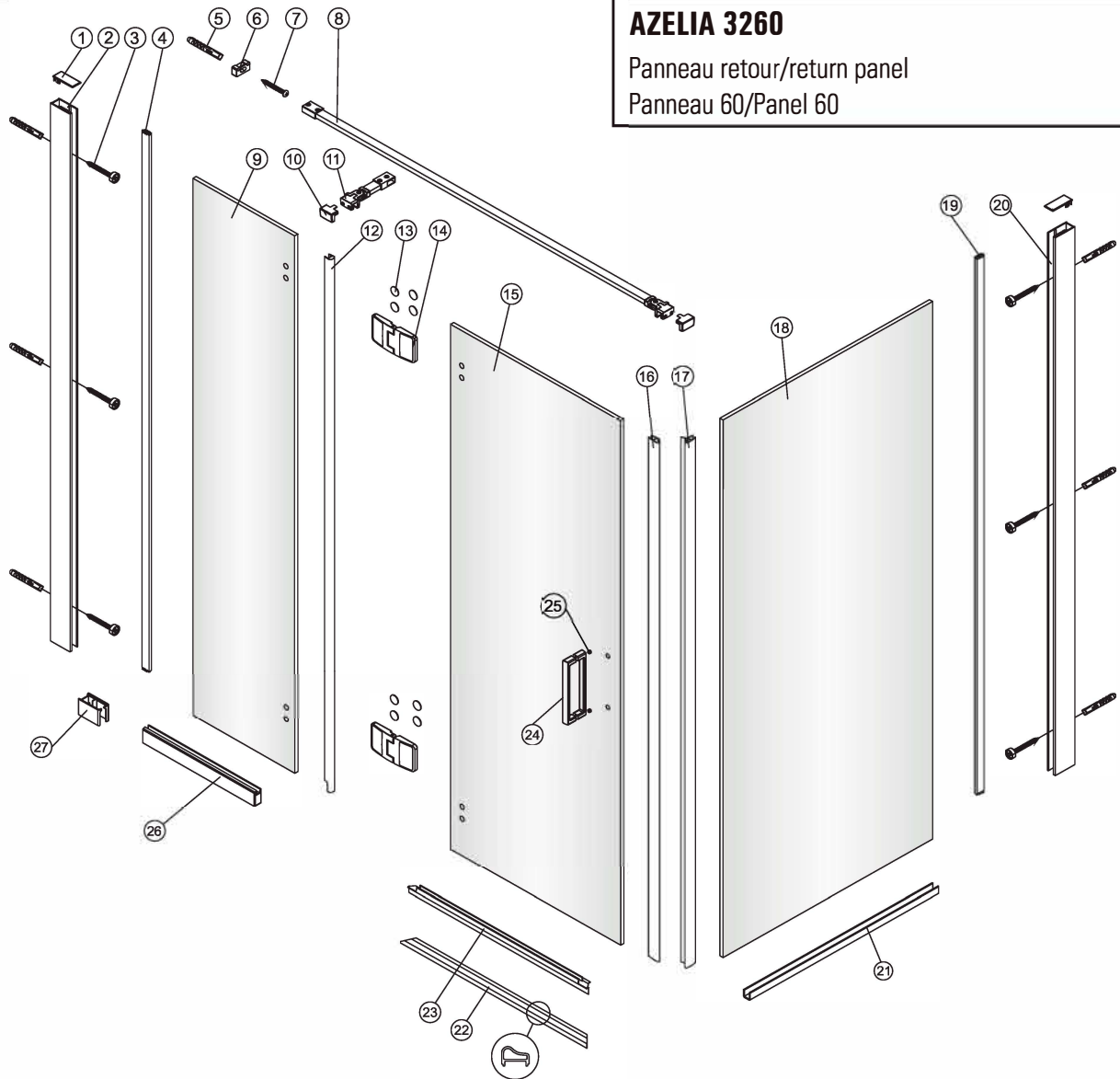


1  x2	2  x1	3  x6 ST4x60	4  x1	5  x7	6  x1	7  x1 ST4x60	8  x1	9  x1	10  x2
11  x1	12  x1	13  x8	14  x2	15  x1	16  x1	17  x1	18  x1	19  x1 L=1880	20  x1 L=1880
21  x1	22  x1	23  x1	24  x1	25  x1	26  x1	27  x1 Gauche/Left	28  x1 Droit/Right	29  x1	30  x1 4mm
31  x1 2mm	Matériel requis non-inclus/Required materials not included								



# AZELIA 3260

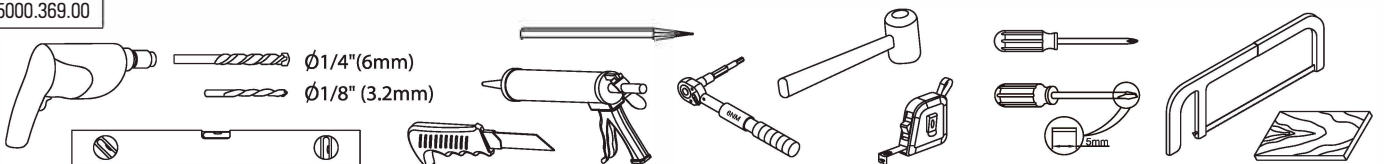
Panneau retour/return panel  
Panneau 60/Panel 60



1 x2	2 x1	3 x6 ST4x60	4 x1	5 x7	6 x1	7 x1 ST4x60	8 x1	9 x1	10 x2
11 x1	12 x1	13 x8	14 x2	15 x1	16 x1	17 x1	18 x1	19 x1 L=1880	20 x1 L=1880
21 x1	22 x1	23 x1	24 x1	25 x1	26 x1	27 x1 Gauche/Left	28 x1 Droit/Right	29 x1	30 x1 4mm

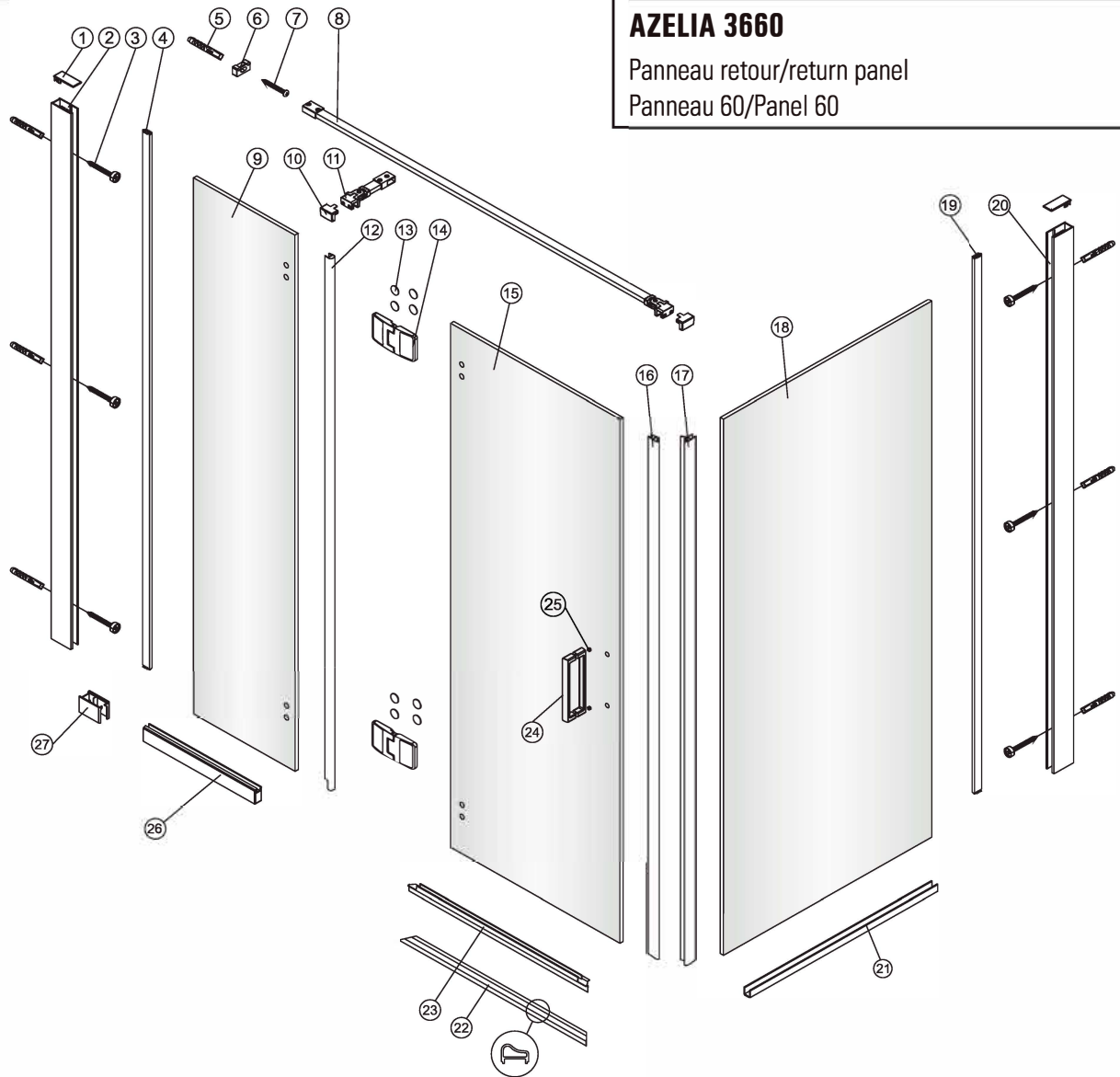
31  
x1  
2mm  
39.5000.369.00

Matériel requis non-inclus/Required materials not included



# AZELIA 3660

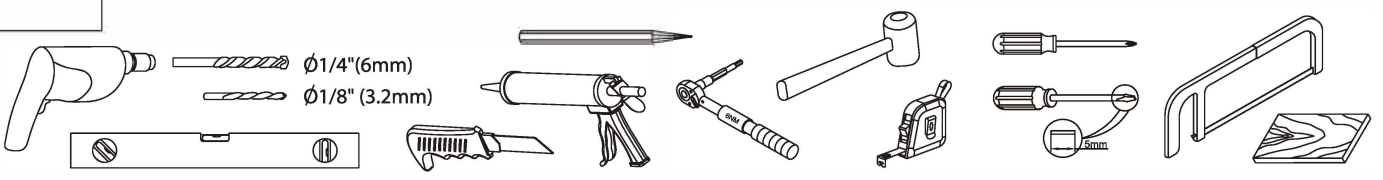
Panneau retour/return panel  
Panneau 60/Panel 60



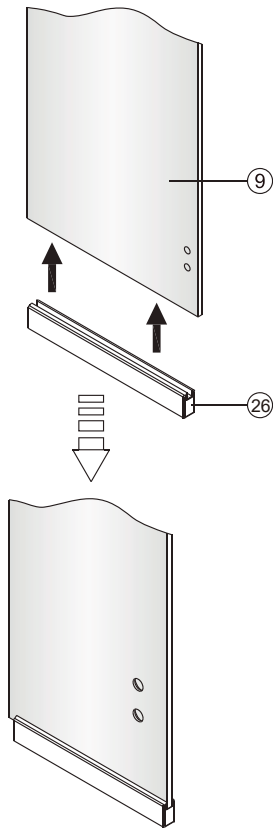
1 x2	2 x1	3 x6 ST4x60	4 x1	5 x7	6 x1	7 x1 ST4x60	8 x1	9 x1	10 x2
11 x1	12 x1	13 x8	14 x2	15 x1	16 x1	17 x1	18 x1	19 x1 L=1880	20 x1 L=1880
21 x1	22 x1	23 x1	24 x1	25 x1	26 x1	27 x1 Gauche/Left	28 x1 Droit/Right	29 x1	30 x1 4mm

31 x1	 2mm
----------	---------

Matériel requis non-inclus/Required materials not included

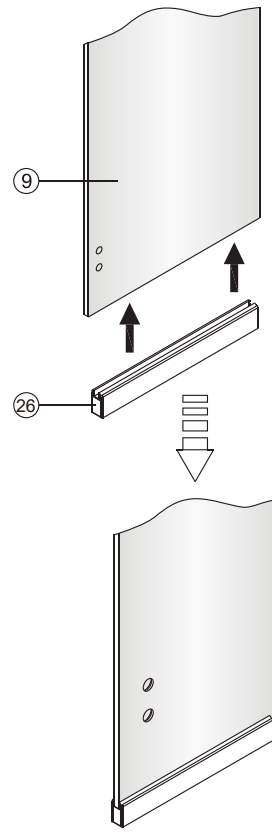






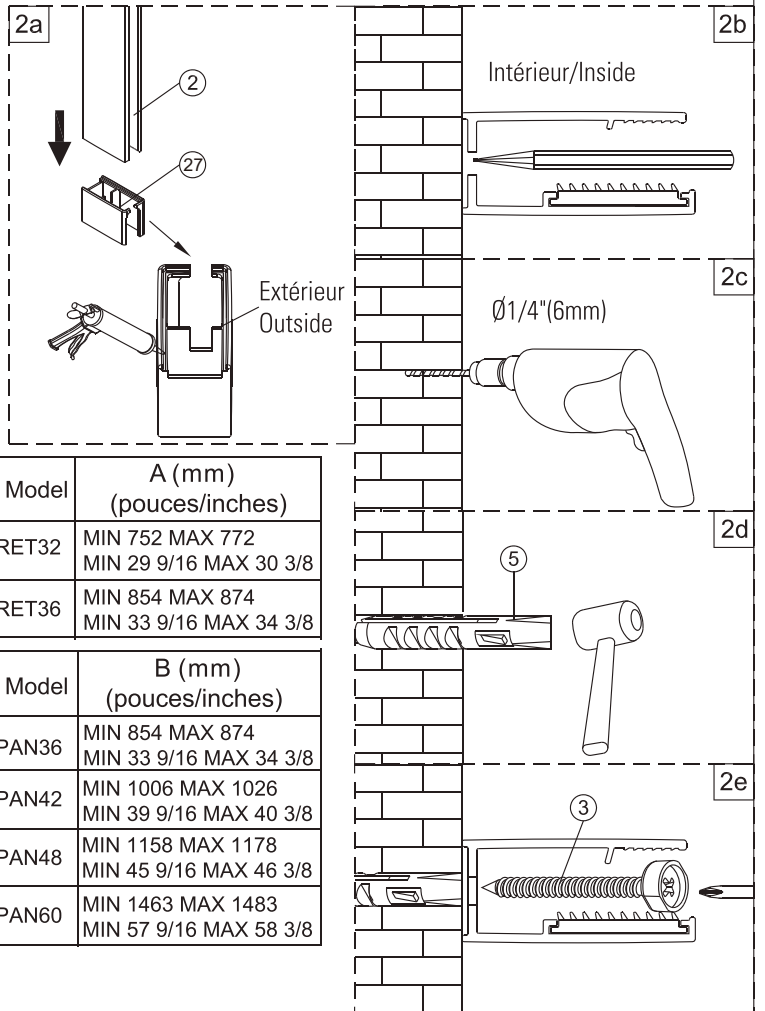
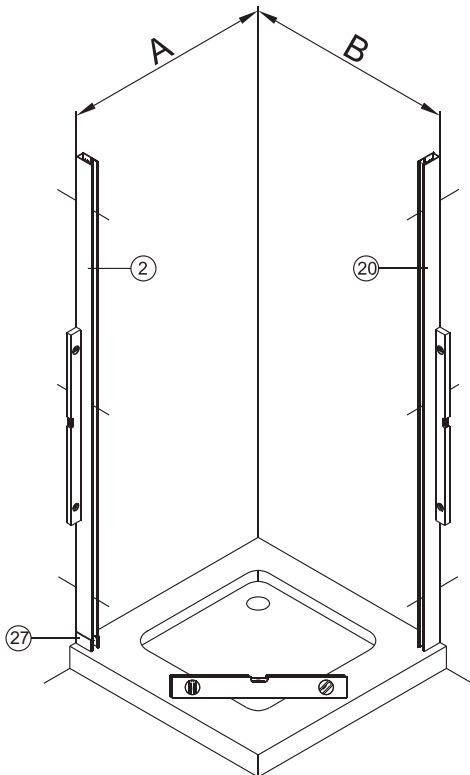
Gauche/Left

1



Droit/Right

2



Modele / Model	A (mm) (pouces/inches)
AZELIA RET32	MIN 752 MAX 772 MIN 29 9/16 MAX 30 3/8
AZELIA RET36	MIN 854 MAX 874 MIN 33 9/16 MAX 34 3/8

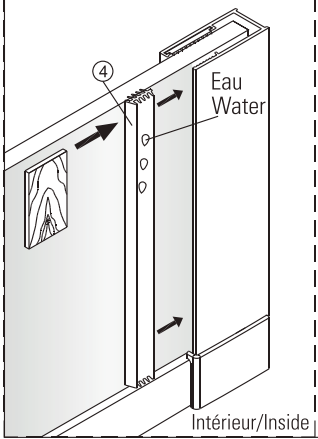
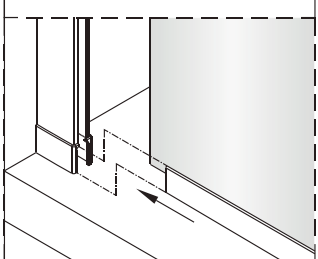
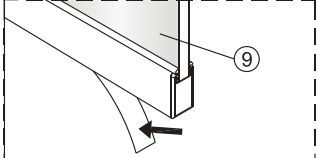
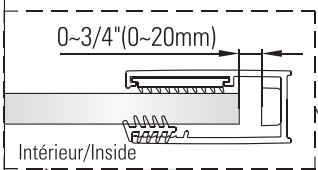
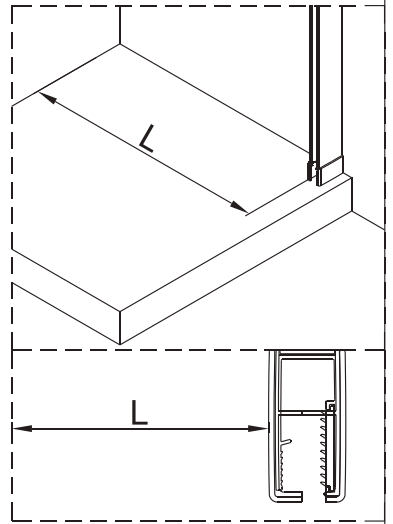
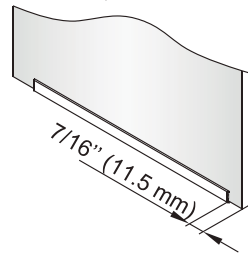
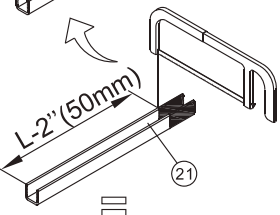
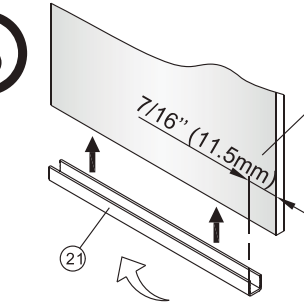
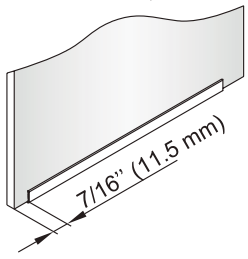
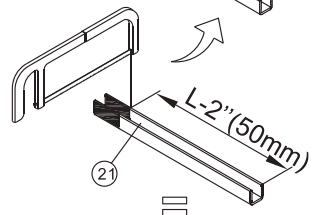
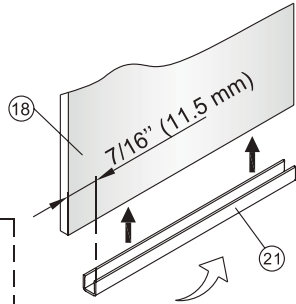
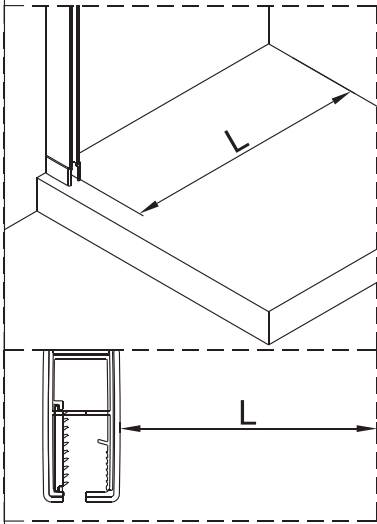
Modele / Model	B (mm) (pouces/inches)
AZELIA PAN36	MIN 854 MAX 874 MIN 33 9/16 MAX 34 3/8
AZELIA PAN42	MIN 1006 MAX 1026 MIN 39 9/16 MAX 40 3/8
AZELIA PAN48	MIN 1158 MAX 1178 MIN 45 9/16 MAX 46 3/8
AZELIA PAN60	MIN 1463 MAX 1483 MIN 57 9/16 MAX 58 3/8



Gauche/Left

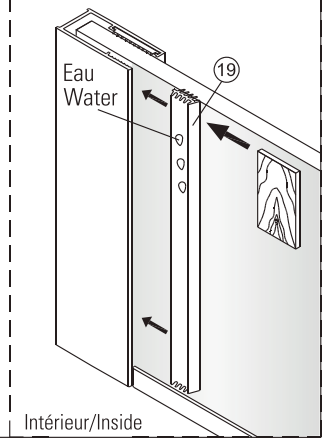
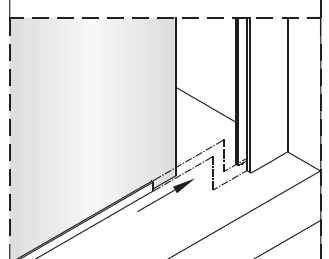
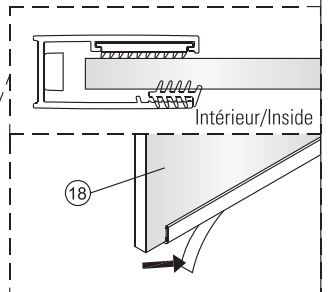
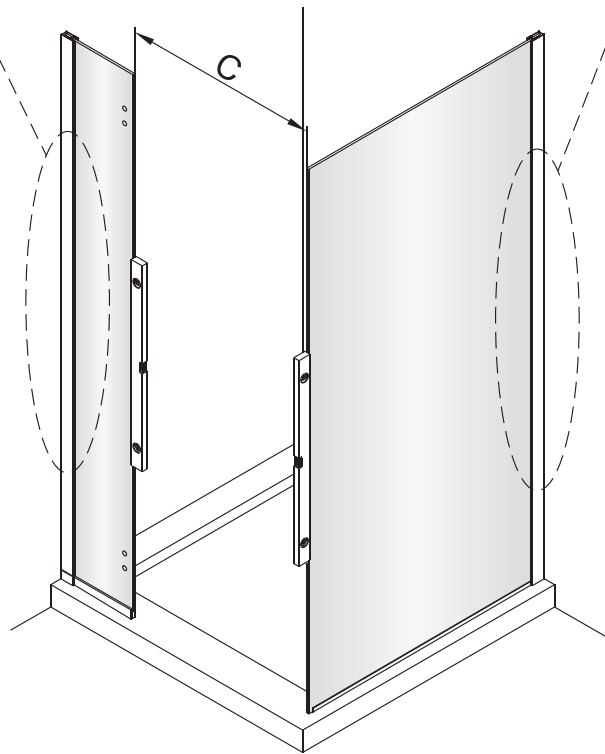
Droit/Right

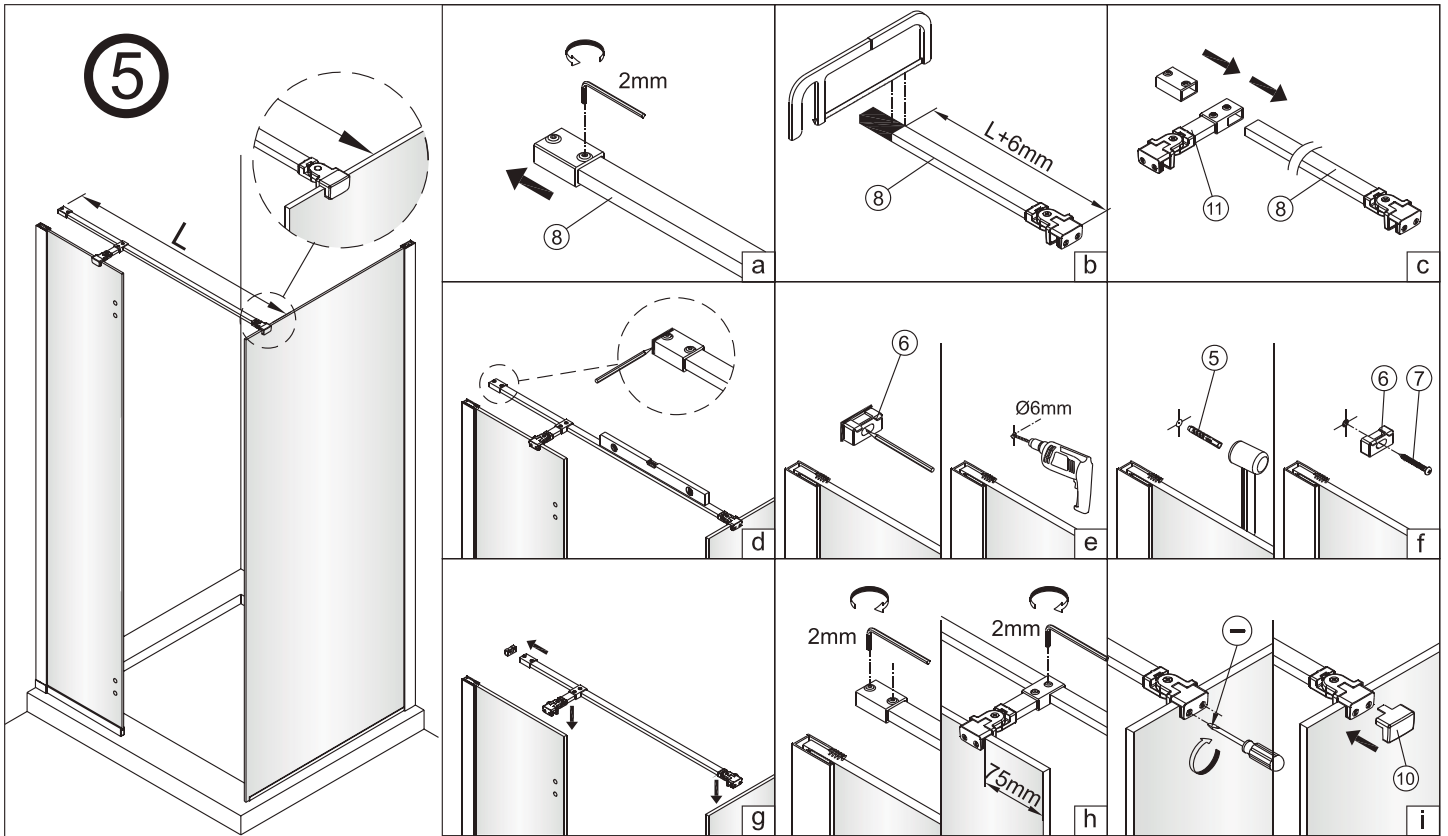
3



4

Modèle/Model	C (mm) (pouces/inches)
AZELIA PAN36	614 mm 24 3/16"
AZELIA PAN42	614 mm 24 3/16"
AZELIA PAN48	614 mm 24 3/16"
AZELIA PAN60	664 mm 26 1/8"

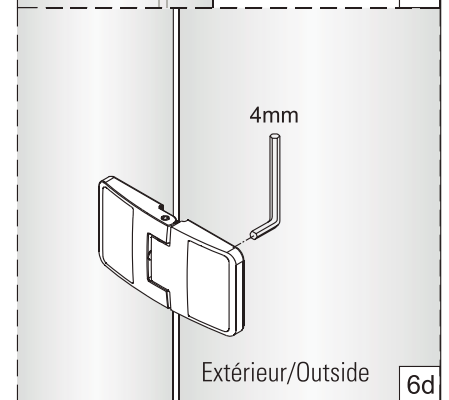
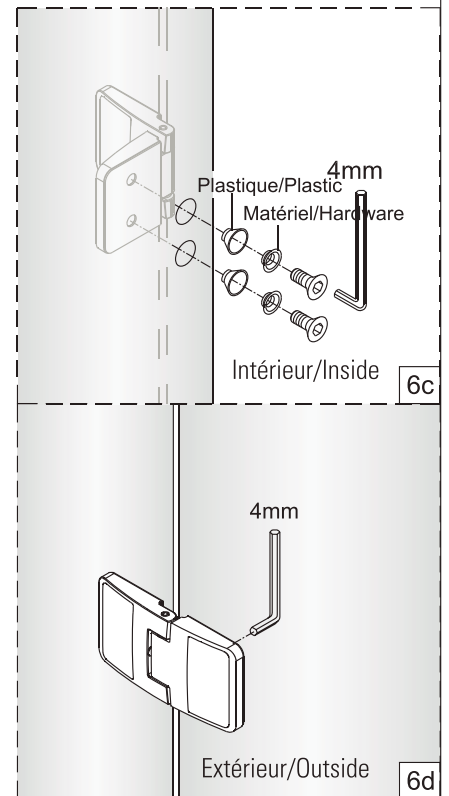
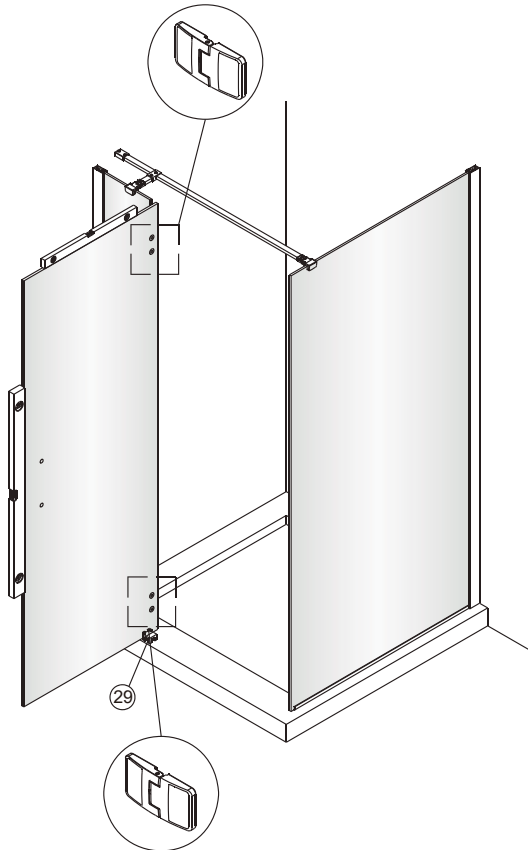
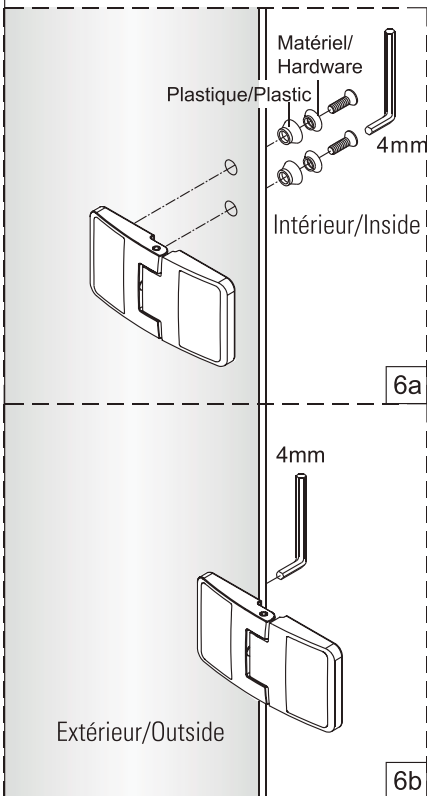




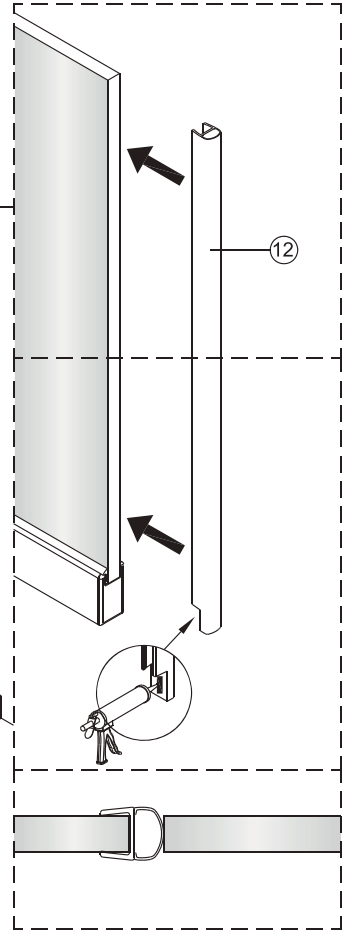
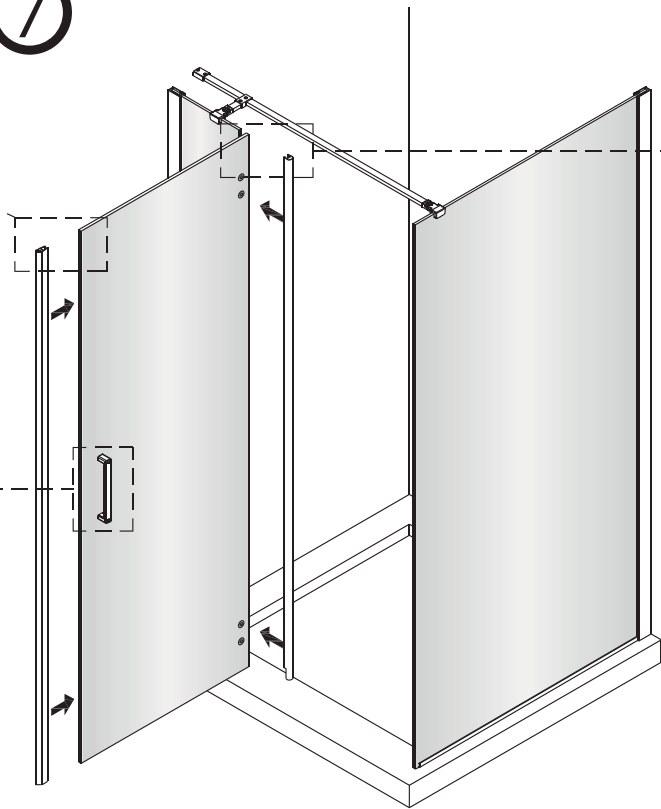
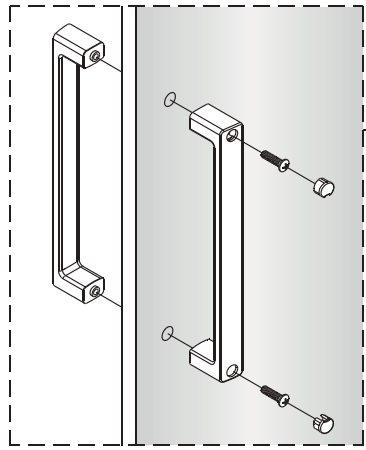
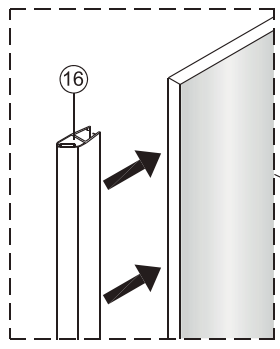
⑥



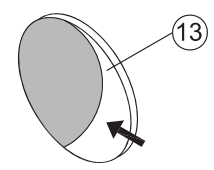
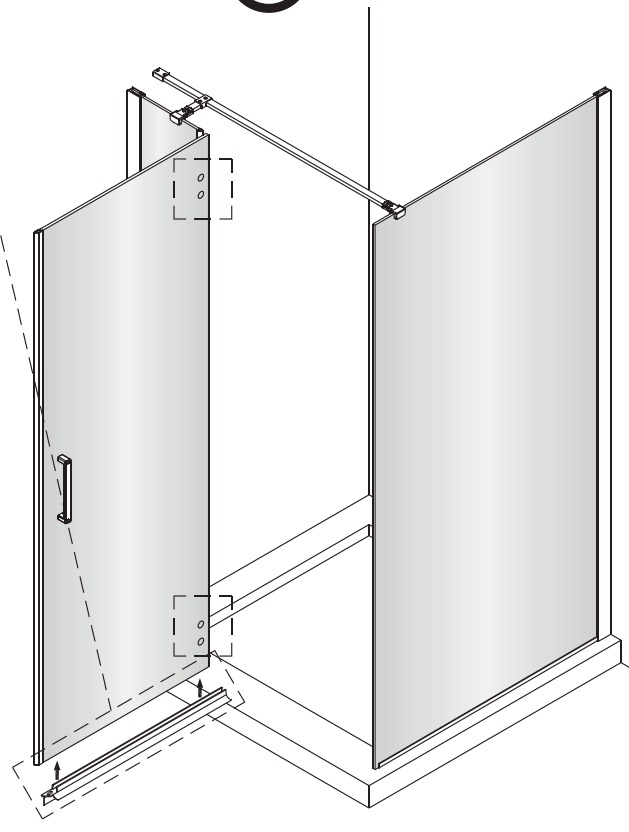
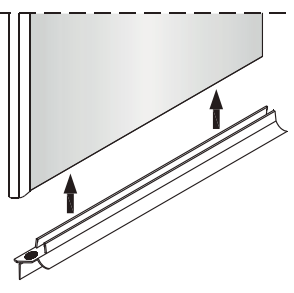
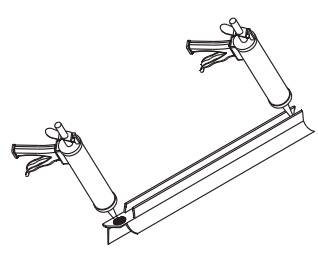
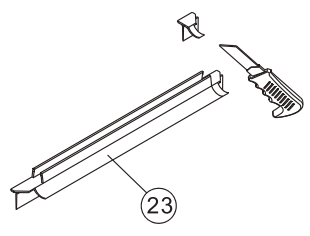
Tighten the screws with 4N.m



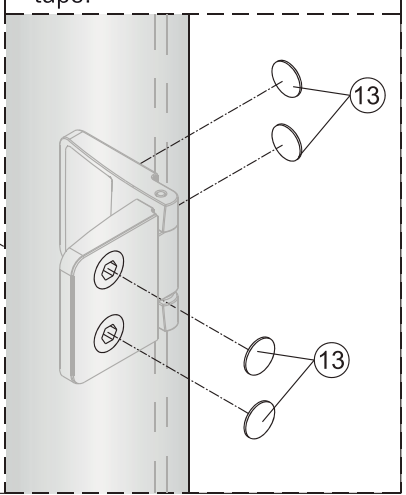
7



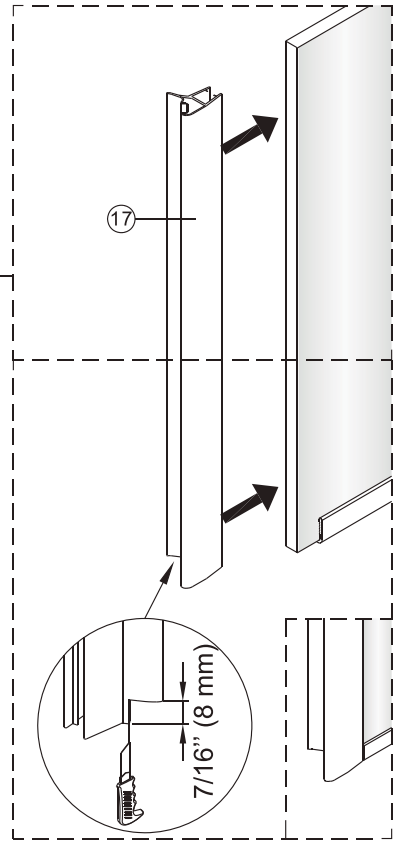
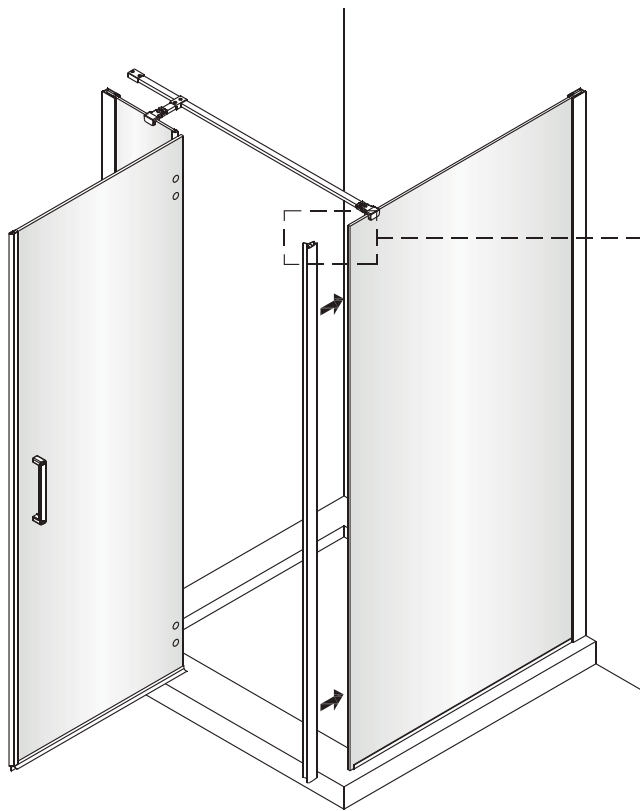
8



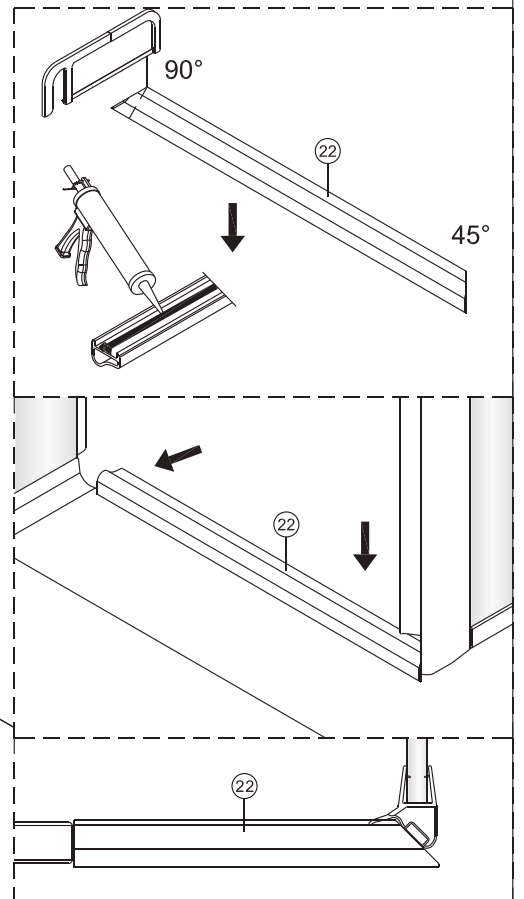
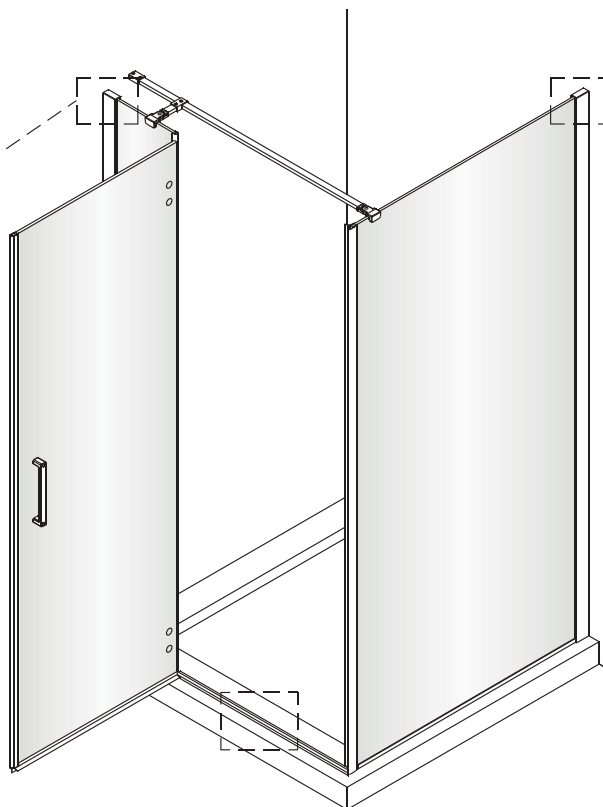
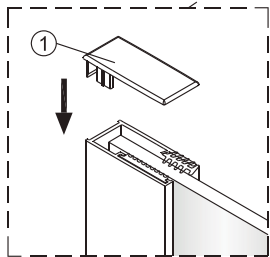
Ruban adhésif double-face /  
Tear off double-sided adhesive  
tape.



9



10



11

