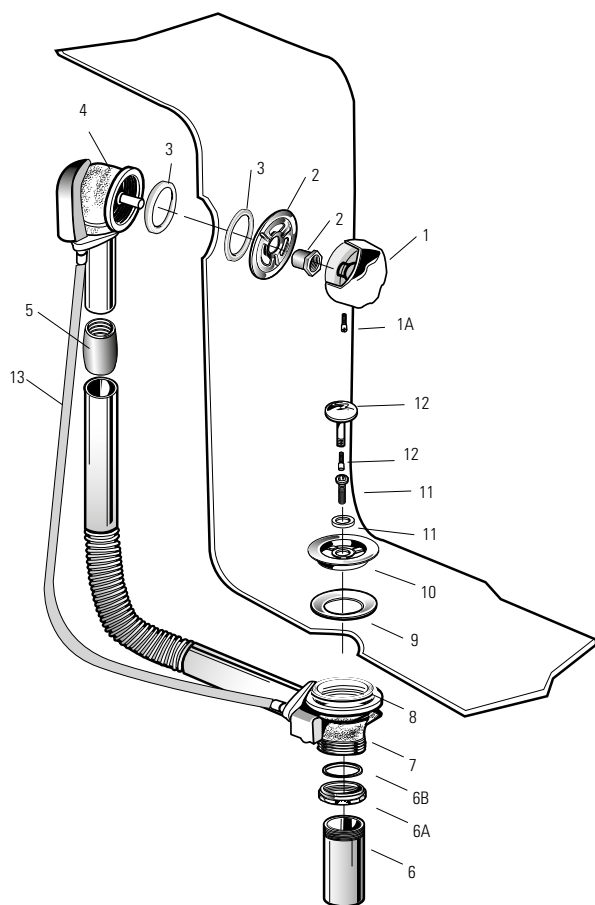


# D105 BATHTUB DRAIN

## COOPER AUTOMATIC DRAIN WITH 20" OR 27" COVER



1. Control handle
- 1A. Locking screw
2. Overflow tie plate and bolt
3. Overflow gasket
4. Overflow elbow assembly
5. Rubber collar
6. 1 1/2" drain pipe (812-4RB)
- 6A. Tailpiece nut
- 6B. Washer
7. Waste elbow assembly
8. Waste washer
9. Putty ring
10. Strainer
11. Waste bolt and spacer\*
12. Plug
13. Drive cable 500 mm (19 11/16")

\*Spacer's use depends on thickness of the tub.

Caution: We recommend an access panel.

### INSTALLATION TIPS:

1. Bend corrugated brass to avoid kinking. Start at one end or the other and take your time. Slowly start to make small bends. Keep your hands about 2" apart.
2. Start with the waste no 7.
3. The putty ring no 9 may not be sufficient for some tub designs. Instead, use a caulking compound.
4. Tighten bolt no 11 last (handtight plus 1/4 turn).
5. On the overflow, make sure elbow assembly no 4 is centred and cable no 13 is not twisted.
6. If the overflow tubing no 4 is too long, cut to fit.
7. Height of plug no 12 can be adjusted.



Produits Neptune