



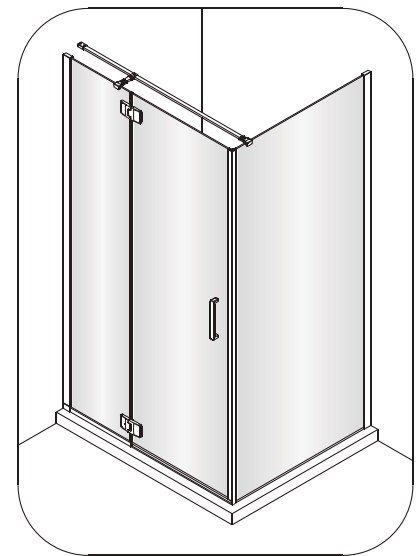
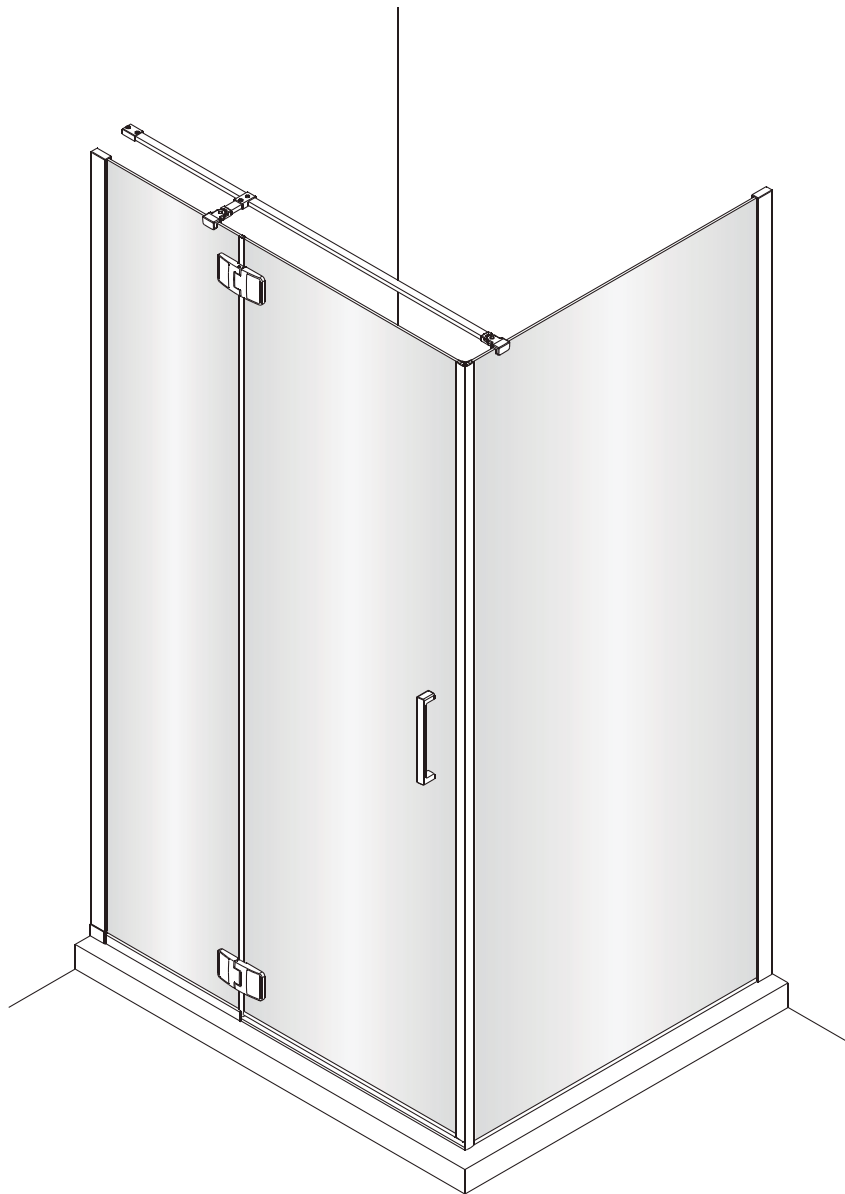
Produits Neptune

DESIGN AMÉLIORÉ  
IMPROVED DESIGN

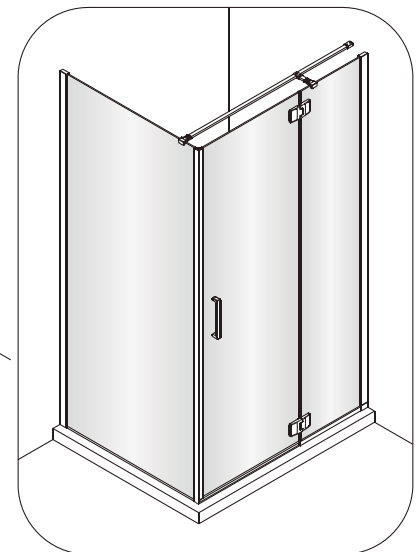
AZELIA 3636 - AZELIA 3642 - AZELIA 3248 - AZELIA 3648

AZELIA 3260 - AZELIA 3660

## Guide d'installation / Installation manual



Gauche / Left



Droit / Right

6835, PICARD  
SAINT-HYACINTHE (QUEBEC) J2S 1H3  
CANADA

TELEPHONE : 450 773 7058  
TELECOPIE / FAX : 450 773 5063  
SANS FRAIS / TOLL FREE: 1 888 366 7058

[produitsneptune.com](http://produitsneptune.com)

# AZELIA 3636

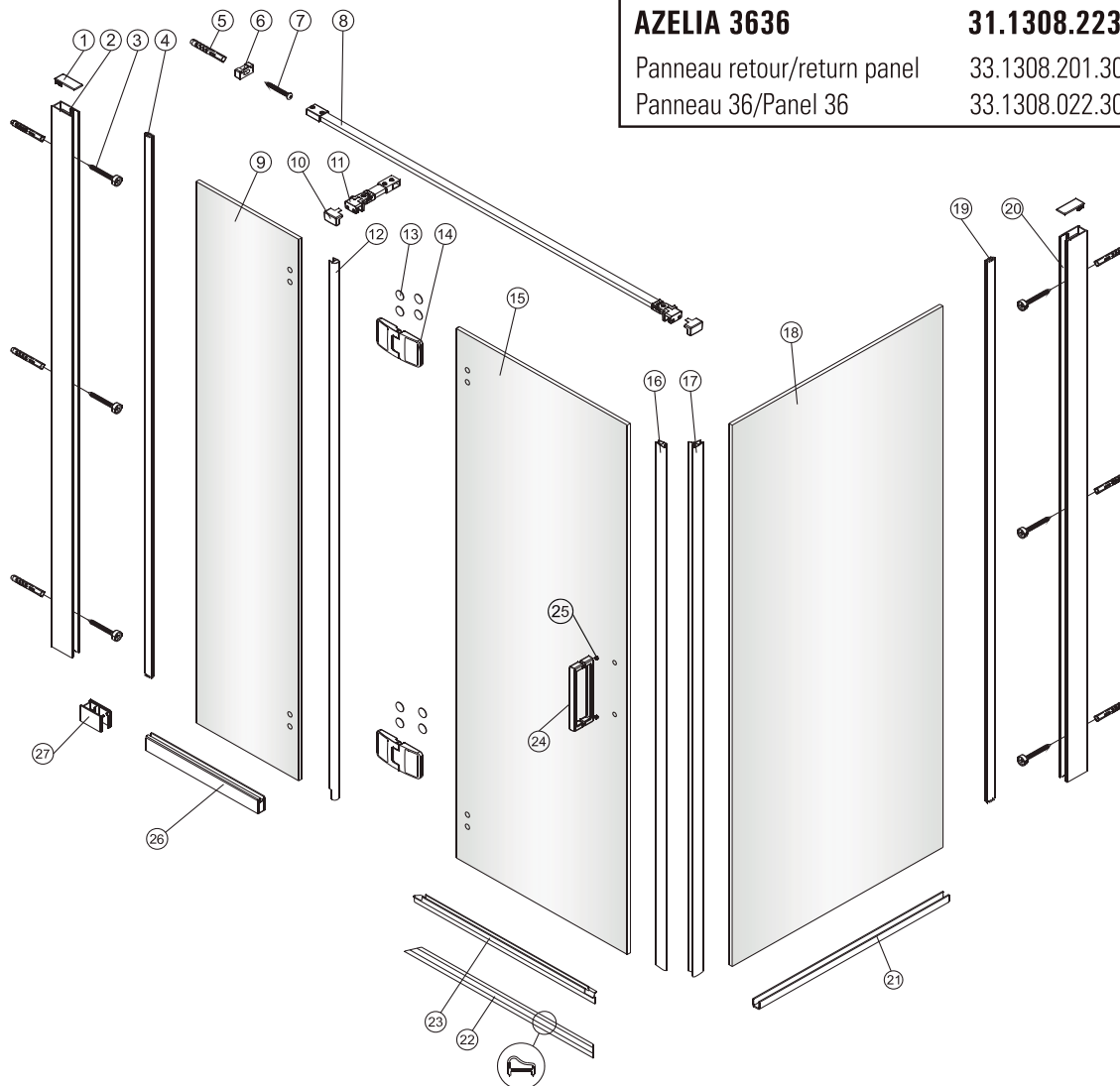
**31.1308.223.30**

Panneau retour/return panel

33.1308.201.30 Lot #1

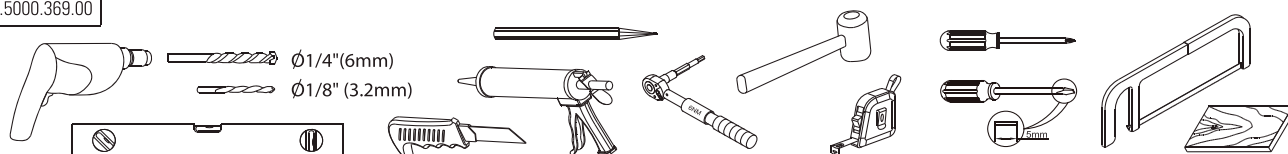
Panneau 36/Panel 36

33.1308.022.30 Lot #1



1  x2 39.5000.342.60	2  x1 39.2000.230.60	3  x6 ST4x60 39.5000.359.00	4  x1 39.3000.202.00	5  x7 39.5000.360.00	6  x1 39.5000.361.60	7  x1 ST4x60 39.5000.362.00	8  x1 39.5000.363.60	9  x1 39.9000.221.00	10  x2 39.5000.367.60
11  x1 39.5000.368.60	12  x1 39.3000.204.00	13  x8 39.5000.341.00	14  x2 39.5000.348.60	15  x1 39.9000.219.00	16  x1 39.3000.208.00	17  x1 39.9000.230.00	18  x1 39.9000.230.00	19  x1 L=1880 39.3000.203.00	20  x1 L=1880 39.2000.231.60
21  x1 39.2000.229.60	22  x1 39.2000.233.60	23  x1 39.3000.206.00	24  x1 39.6000.120.60	25  x1 39.6000.119.60	26  x1 39.2000.222.60	27  x1 Gauche/Left 39.5000.350.60	28  x1 Droit/Right 39.5000.349.60	29  x1 39.5000.275.00	30  x1 4mm 39.5000.118.00

31  x1 2mm 39.5000.369.00	Matériel requis non-inclus/Required materials not included								
---------------------------------------	--	--	--	--	--	--	--	--	--



# AZELIA 3642

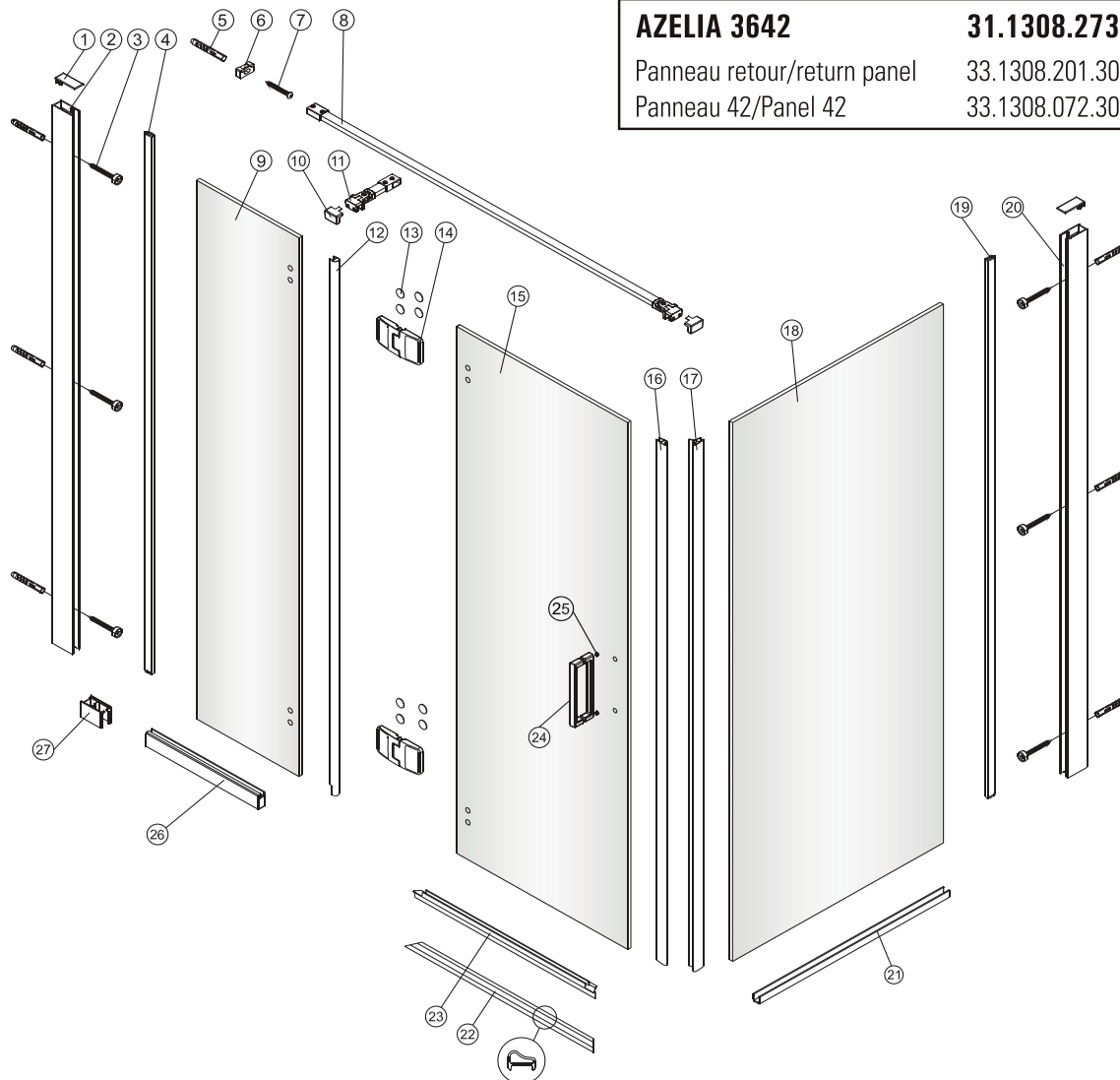
**31.1308.273.30**









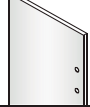

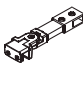
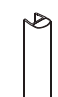


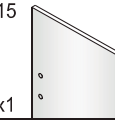
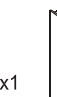

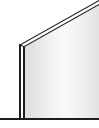


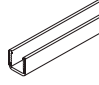


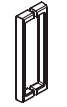

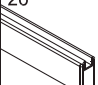
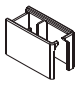
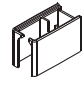


Panneau retour/return panel


33.1308.201.30 Lot #1

Panneau 42/Panel 42

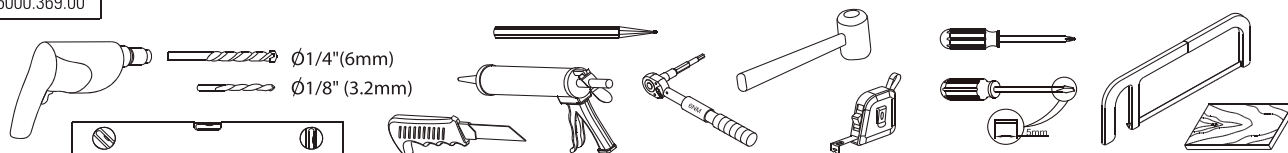
33.1308.072.30 Lot #1



1  x2 39.5000.342.60	2  x1 39.2000.230.60	3  ST4x60 x6 39.5000.359.00	4  x1 39.3000.202.00	5  x7 39.5000.360.00	6  x1 39.5000.361.60	7  ST4x60 x1 39.5000.362.00	8  x1 39.5000.364.60	9  x1 39.9000.223.00	10  x2 39.5000.367.60
11  x1 39.5000.368.60	12  x1 39.3000.204.00	13  x8 39.5000.341.00	14  x2 39.5000.348.60	15  x1 39.9000.219.00	16  x1 39.3000.208.00	17  x1 39.9000.230.00	18  x1 39.9000.230.00	19  x1 L=1880 39.3000.203.00	20  x1 L=1880 39.2000.231.60
21  x1 39.2000.229.60	22  x1 39.2000.233.60	23  x1 39.3000.206.00	24  x1 39.6000.120.60	25  x1 39.6000.119.60	26  x1 39.2000.224.60	27  x1 Gauche/Left 39.5000.350.60	28  x1 Droit/Right 39.5000.349.60	29  x1 39.5000.275.00	30  x1 4mm 39.5000.118.00

31  x1 2mm 39.5000.369.00
---

Matériel requis non-inclus/Required materials not included



# AZELIA 3248

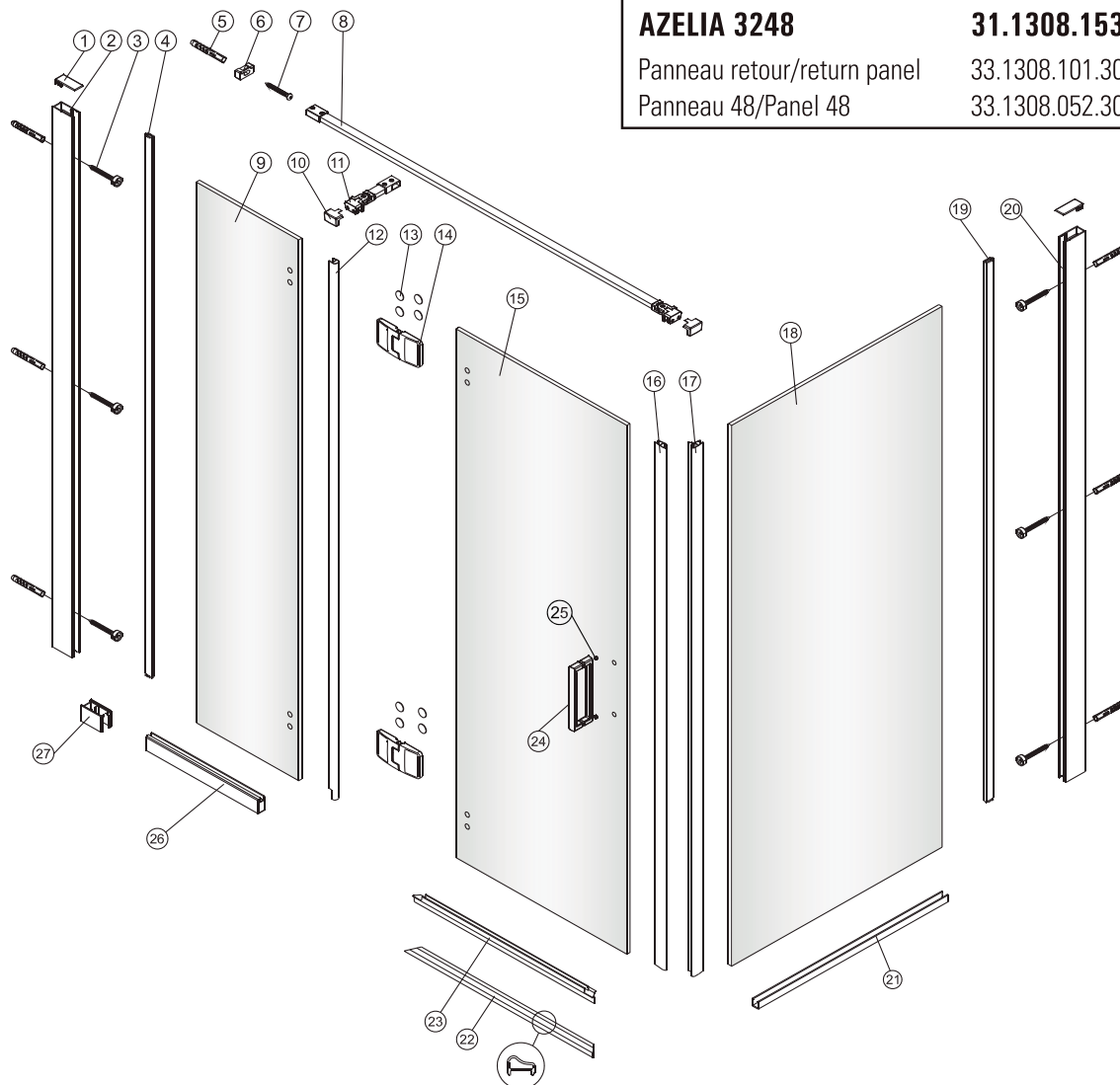
**31.1308.153.30**

Panneau retour/return panel

33.1308.101.30 Lot #1

Panneau 48/Panel 48

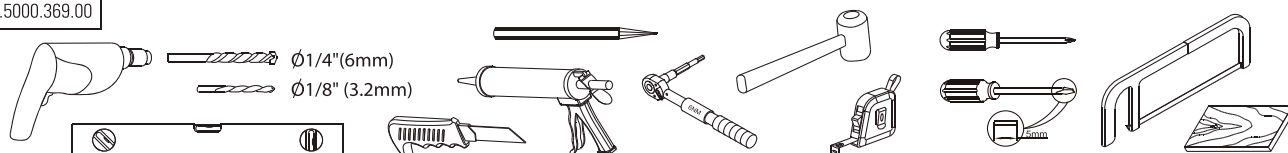
33.1308.052.30 Lot #1



1  x2 39.5000.342.60	2  x1 39.2000.230.60	3  x6 ST4x60 39.5000.359.00	4  x1 39.3000.202.00	5  x7 39.5000.360.00	6  x1 39.5000.361.60	7  x1 ST4x60 39.5000.362.00	8  x1 39.5000.365.60	9  x1 39.9000.226.00	10  x2 39.5000.367.60
11  x1 39.5000.368.60	12  x1 39.3000.204.00	13  x8 39.5000.341.00	14  x2 39.5000.348.60	15  x1 39.9000.219.00	16  x1 39.3000.208.00	17  x1 39.3000.208.00	18  x1 39.9000.227.00	19  x1 L=1880 39.3000.203.00	20  x1 L=1880 39.2000.231.60
21  x1 39.2000.229.60	22  x1 39.2000.233.60	23  x1 39.3000.206.00	24  x1 39.6000.120.60	25  x1 39.6000.119.60	26  x1 39.2000.226.60	27  x1 Gauche/Left 39.5000.350.60	28  x1 Droit/Right 39.5000.349.60	29  x1 39.5000.275.00	30  x1 4mm 39.5000.118.00

31  x1 2mm 39.5000.369.00
---------------------------------------

Matériel requis non-inclus/Required materials not included



# AZELIA 3648

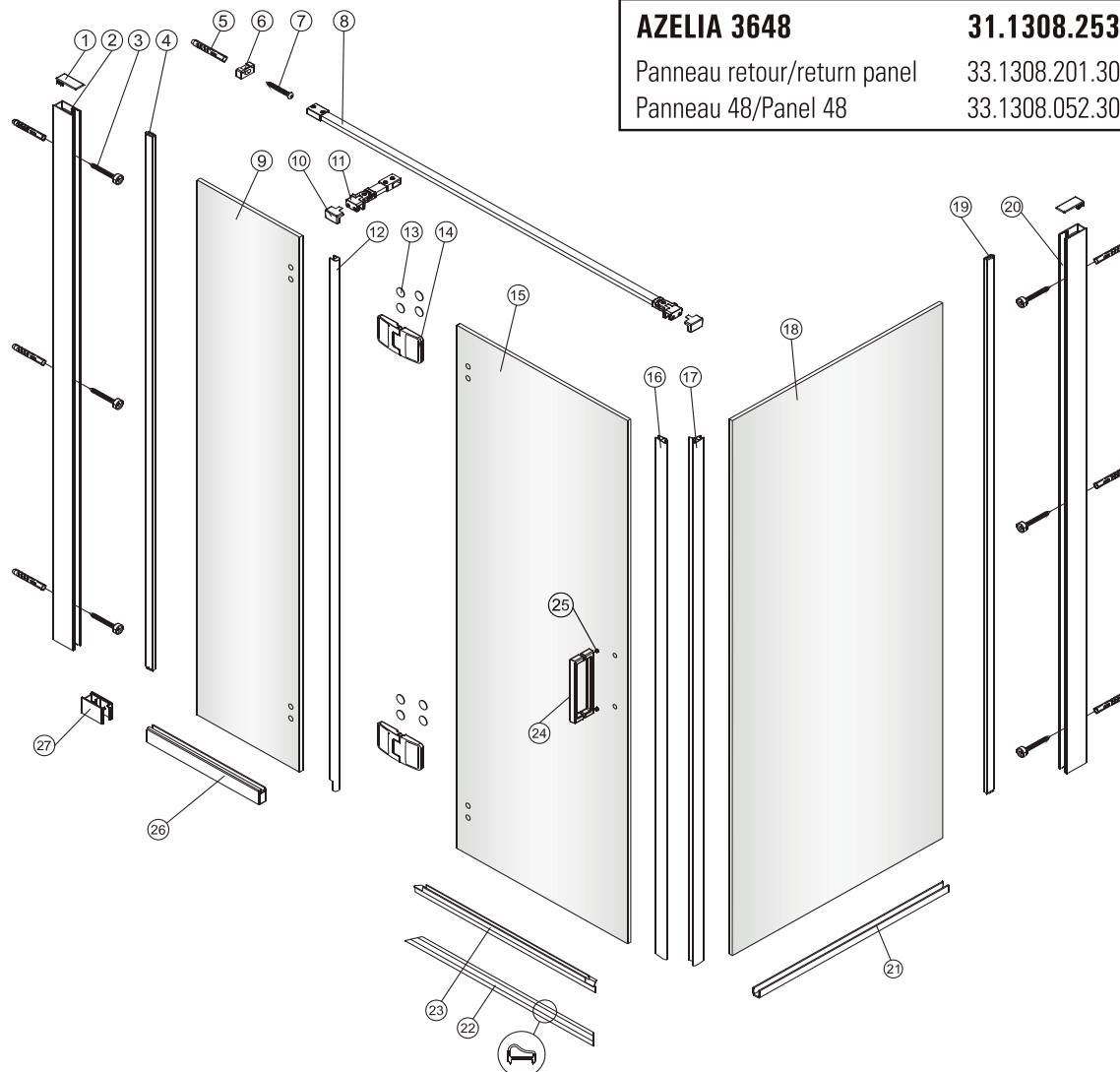
**31.1308.253.30**

Panneau retour/return panel

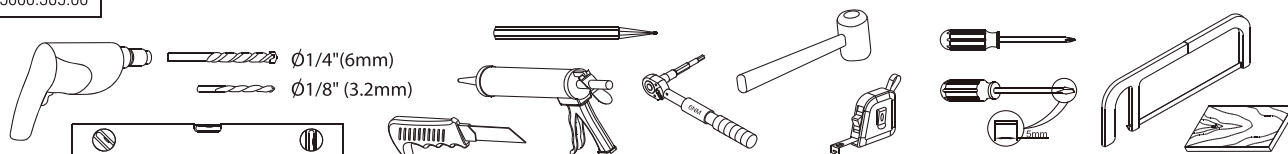
33.1308.201.30 Lot #1

Panneau 48/Panel 48

33.1308.052.30 Lot #1



1  x2 39.5000.342.60	2  x1 39.2000.230.60	3  ST4x60 x6 39.5000.359.00	4  x1 39.3000.202.00	5  x7 39.5000.360.00	6  x1 39.5000.361.60	7  ST4x60 x1 39.5000.362.00	8  x1 39.5000.365.60	9  x1 39.9000.226.00	10  x2 39.5000.367.60
11  x1 39.5000.368.60	12  x1 39.3000.204.00	13  x8 39.5000.341.00	14  x2 39.5000.348.60	15  x1 39.9000.219.00	16  x1 39.3000.208.00	17  x1 39.3000.208.00	18  x1 39.9000.230.00	19  x1 L=1880 39.3000.203.00	20  x1 L=1880 39.2000.231.60
21  x1 39.2000.229.60	22  x1 39.2000.233.60	23  x1 39.3000.206.00	24  x1 39.6000.120.60	25  x1 39.6000.119.60	26  x1 39.2000.226.60	27  x1 Gauche/Left 39.5000.350.60	28  x1 Droit/Right 39.5000.349.60	29  x1 39.5000.275.00	30  x1 4mm 39.5000.118.00
31  x1 2mm 39.5000.369.00	Matériel requis non-inclus/Required materials not included								



# AZELIA 3260

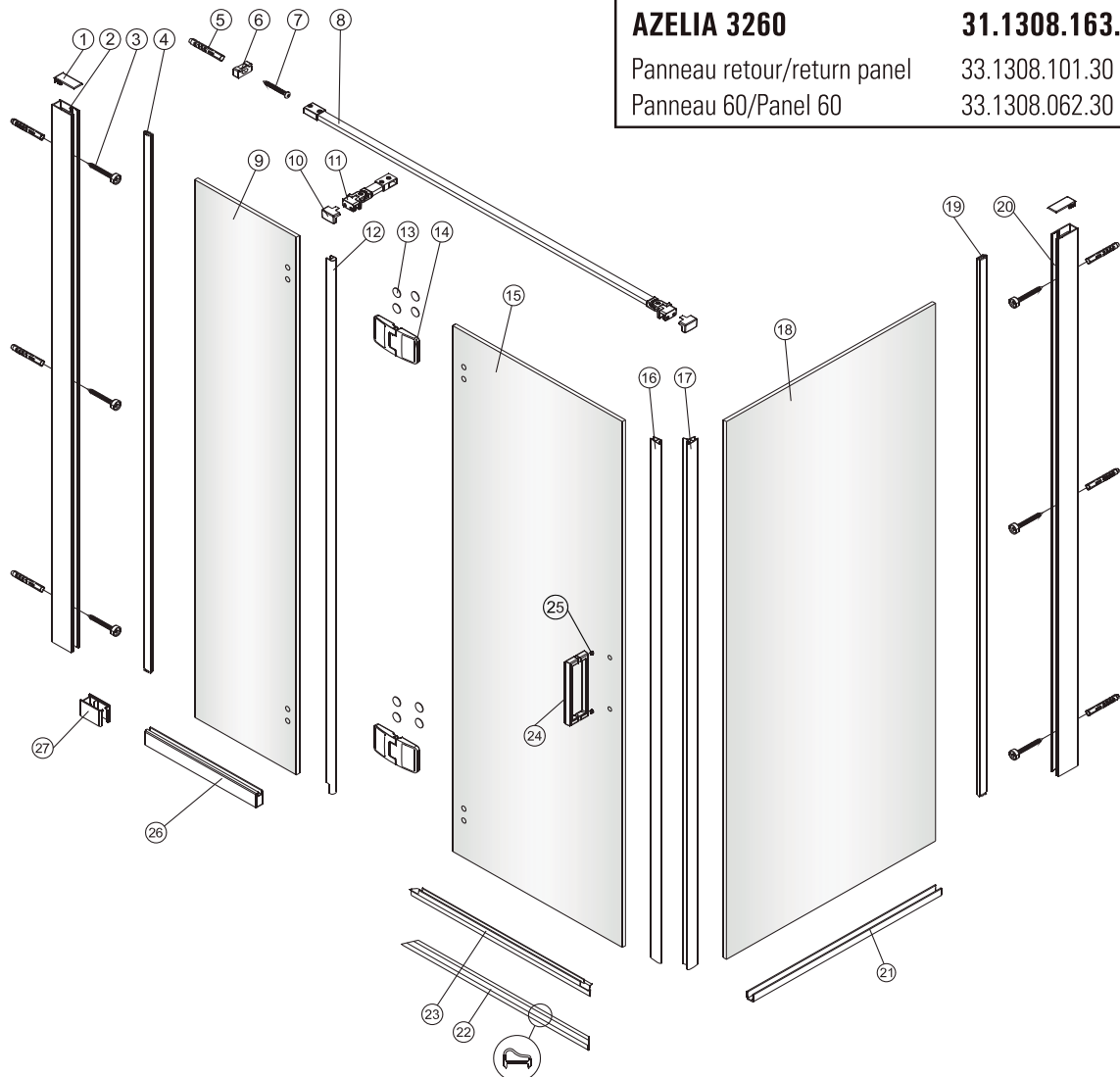
**31.1308.163.30**

Panneau retour/return panel

33.1308.101.30 Lot #1

Panneau 60/Panel 60

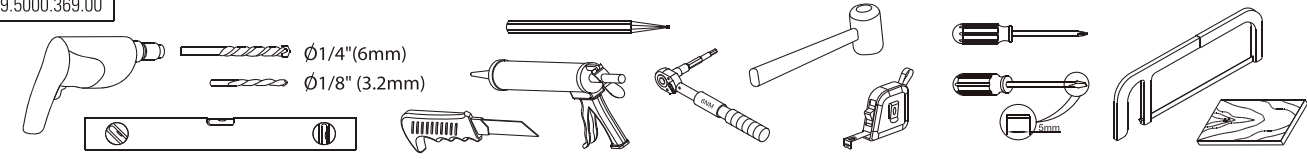
33.1308.062.30 Lot #1



1  x2 39.5000.342.60	2  x1 39.2000.230.60	3  x6 ST4x60 39.5000.359.00	4  x1 39.3000.202.00	5  x7 39.5000.360.00	6  x1 39.5000.361.60	7  x1 ST4x60 39.5000.362.00	8  x1 39.5000.366.60	9  x1 39.9000.229.00	10  x2 39.5000.367.60
11  x1 39.5000.368.60	12  x1 39.3000.204.00	13  x8 39.5000.341.00	14  x2 39.5000.348.60	15  x1 39.9000.231.00	16  x1 39.3000.208.00	17  x1 39.3000.208.00	18  x1 39.9000.227.00	19  x1 L=1880 39.3000.203.00	20  x1 L=1880 39.2000.231.60
21  x1 39.2000.229.60	22  x1 39.2000.234.60	23  x1 39.3000.206.00	24  x1 39.6000.120.60	25  x1 39.6000.119.60	26  x1 39.2000.228.60	27  x1 Gauche/Left 39.5000.350.60	28  x1 Droit/Right 39.5000.349.60	29  x1 39.5000.275.00	30  x1 4mm 39.5000.118.00

31  x1 2mm 39.5000.369.00
---------------------------------------

Matériel requis non-inclus/Required materials not included



# AZELIA 3660

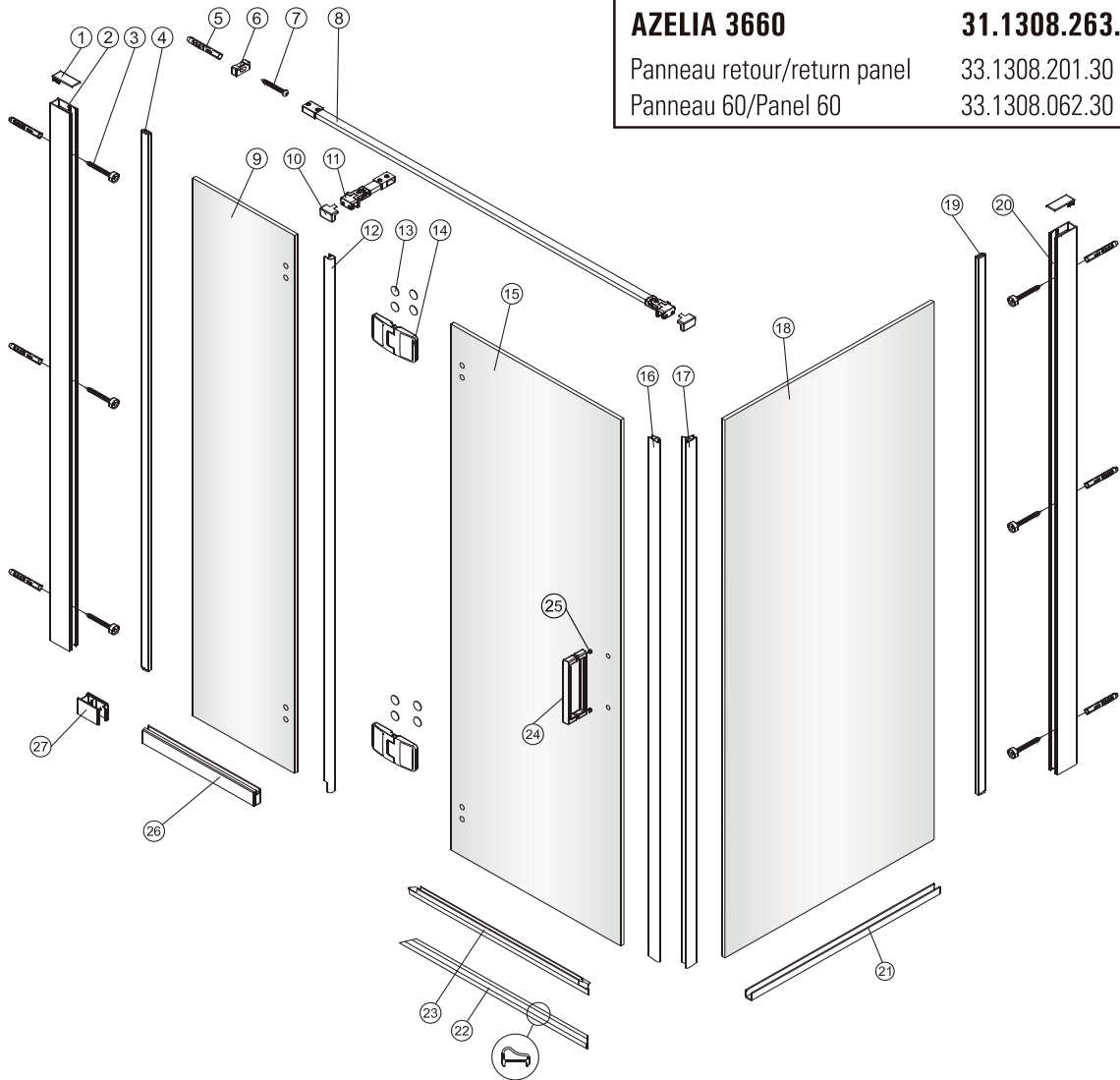
**31.1308.263.30**

Panneau retour/return panel

33.1308.201.30 Lot #1

Panneau 60/Panel 60

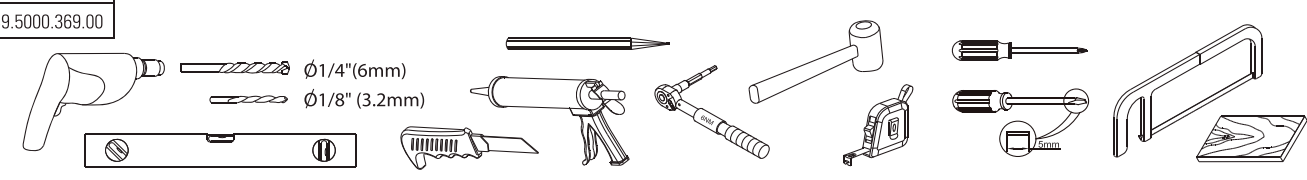
33.1308.062.30 Lot #1



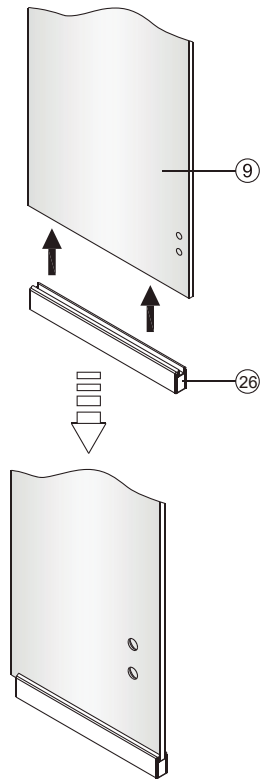
1  x2	2  x1	3  ST4x60 x6	4  x1	5  x7	6  x1	7  ST4x60 x1	8  x1	9  x1	10  x2
39.5000.342.60	39.2000.230.60	39.5000.359.00	39.3000.202.00	39.5000.360.00	39.5000.361.60	39.5000.362.00	39.5000.366.60	39.9000.229.00	39.5000.367.60
11  x1	12  x1	13  x8	14  x2	15  x1	16  x1	17  x1	18  x1	19  x1 L=1880	20  x1 L=1880
39.5000.368.60	39.3000.204.00	39.5000.341.00	39.5000.348.60	39.9000.231.00	39.3000.208.00		39.9000.230.00	39.3000.203.00	39.2000.231.60
21  x1	22  x1	23  x1	24  x1	25  x1	26  x1	27  x1 Gauche/Left	28  x1 Droit/Right	29  x1	30  x1 4mm
39.2000.229.60	39.2000.234.60	39.3000.206.00	39.6000.120.60	39.6000.119.60	39.2000.228.60	39.5000.350.60	39.5000.349.60	39.5000.275.00	39.5000.118.00

31  x1 2mm
39.5000.369.00

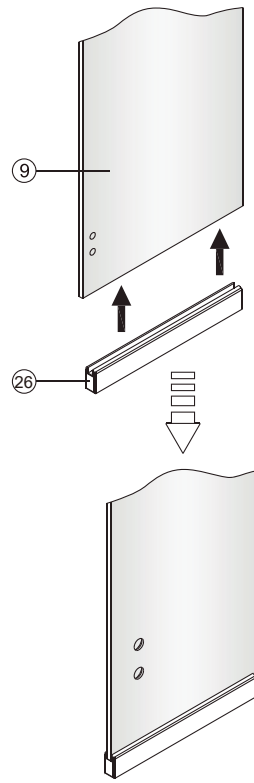
Matériel requis non-inclus/Required materials not included



1

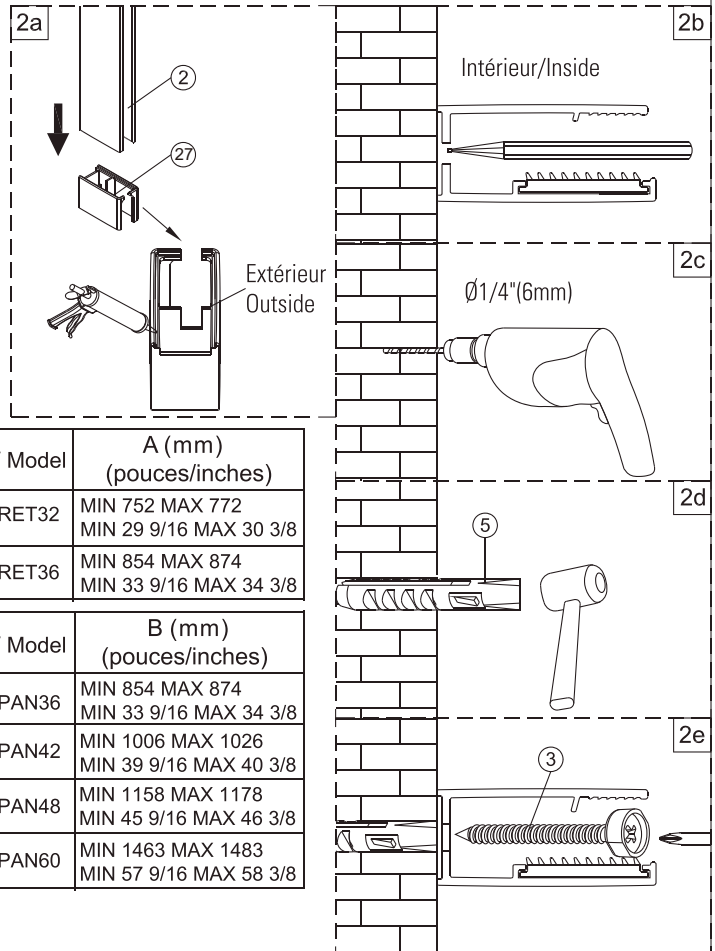
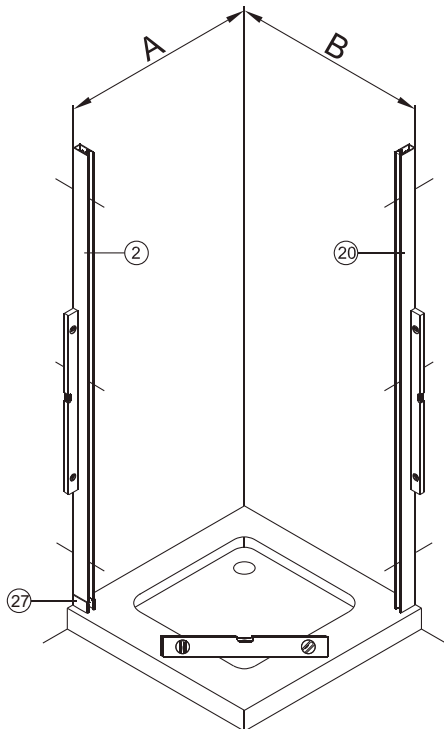


Gauche/Left



Droit/Right

2



Modele / Model	A (mm) (pouces/inches)
AZELIA RET32	MIN 752 MAX 772 MIN 29 9/16 MAX 30 3/8
AZELIA RET36	MIN 854 MAX 874 MIN 33 9/16 MAX 34 3/8

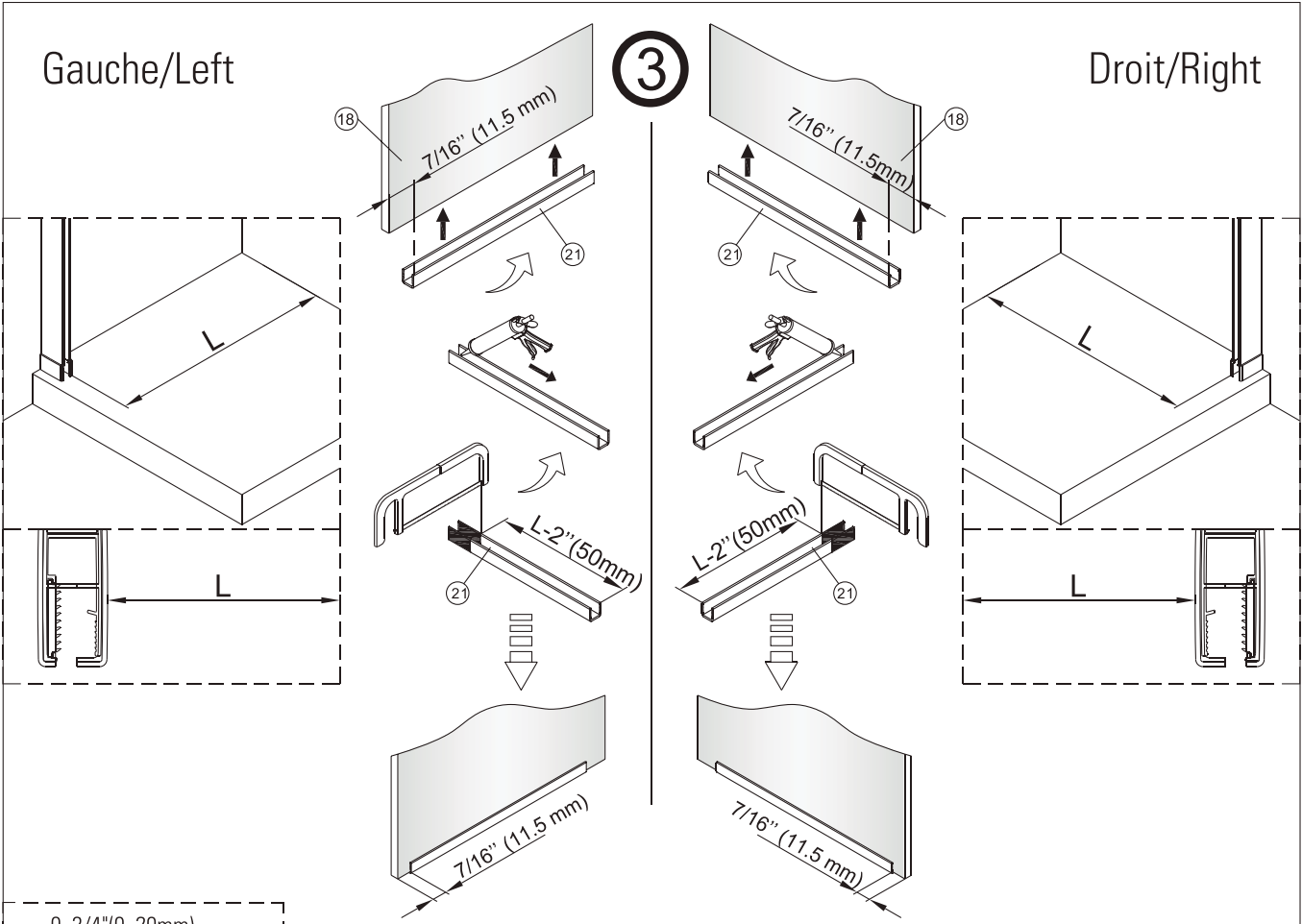
Modele / Model	B (mm) (pouces/inches)
AZELIA PAN36	MIN 854 MAX 874 MIN 33 9/16 MAX 34 3/8
AZELIA PAN42	MIN 1006 MAX 1026 MIN 39 9/16 MAX 40 3/8
AZELIA PAN48	MIN 1158 MAX 1178 MIN 45 9/16 MAX 46 3/8
AZELIA PAN60	MIN 1463 MAX 1483 MIN 57 9/16 MAX 58 3/8



Gauche/Left

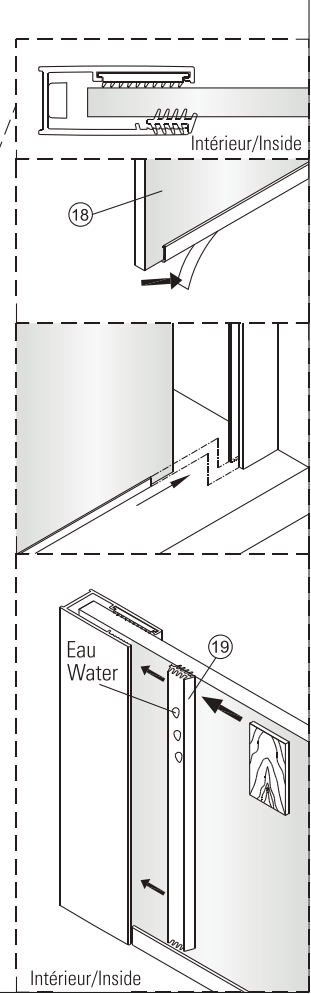
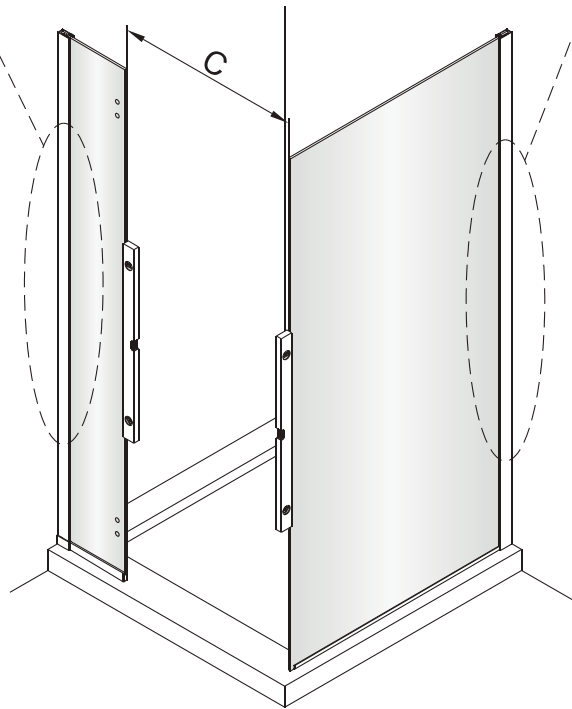
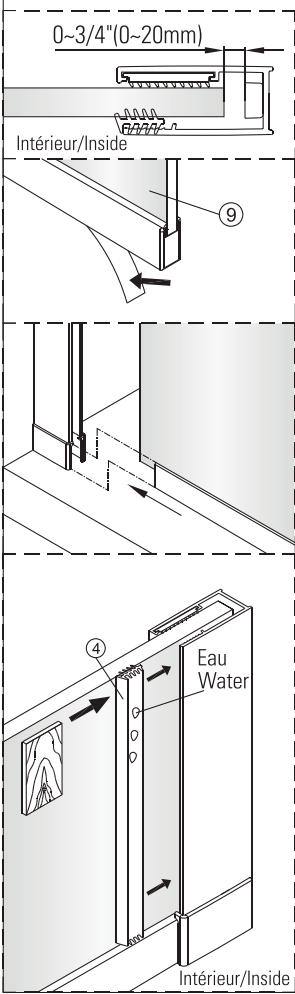
Droit/Right

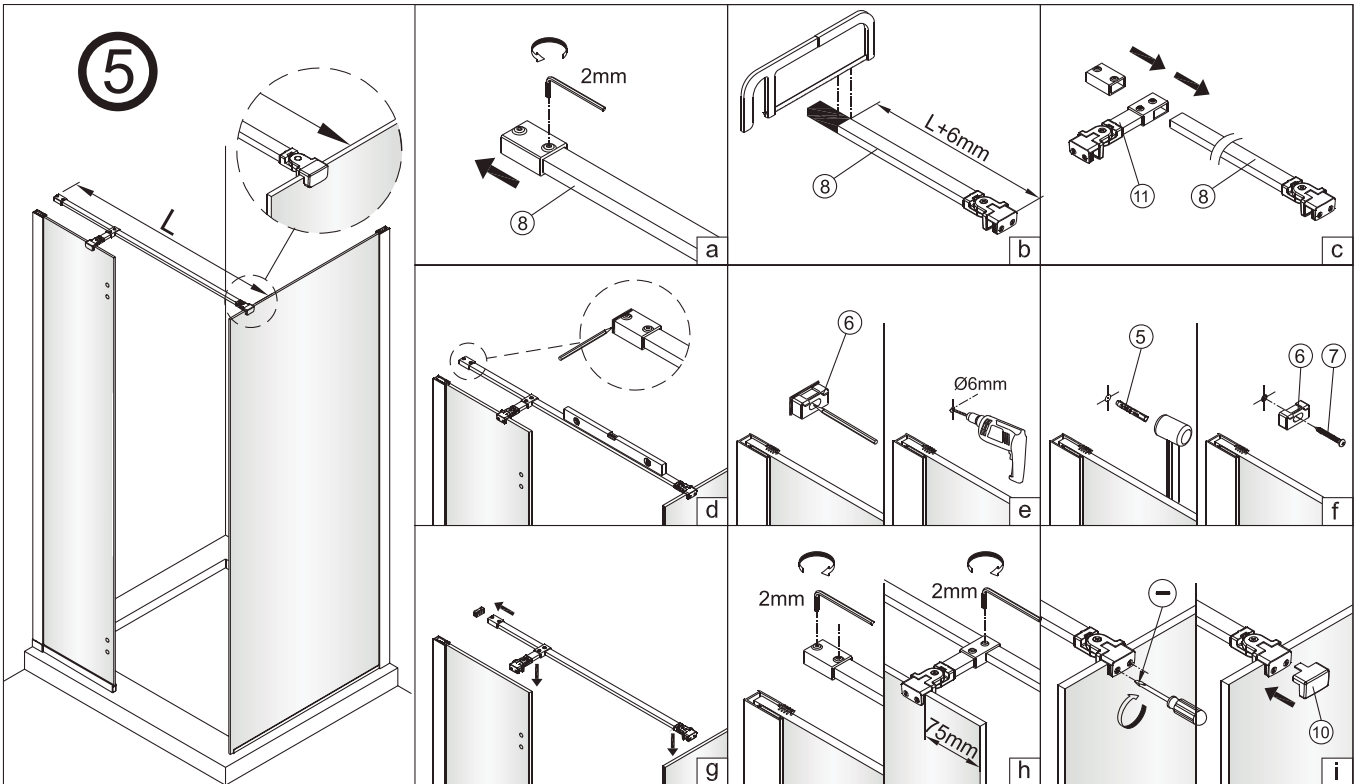
3



4

Modèle/Model	C (mm) (pouces/inches)
AZELIA PAN36	614 mm 24 3/16"
AZELIA PAN42	614 mm 24 3/16"
AZELIA PAN48	614 mm 24 3/16"
AZELIA PAN60	664 mm 26 1/8"

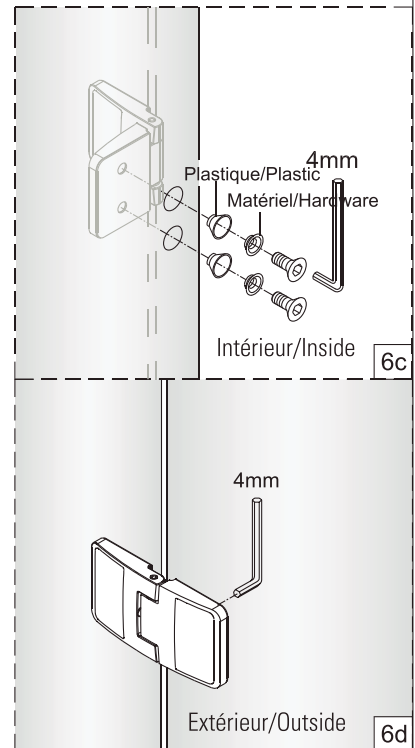
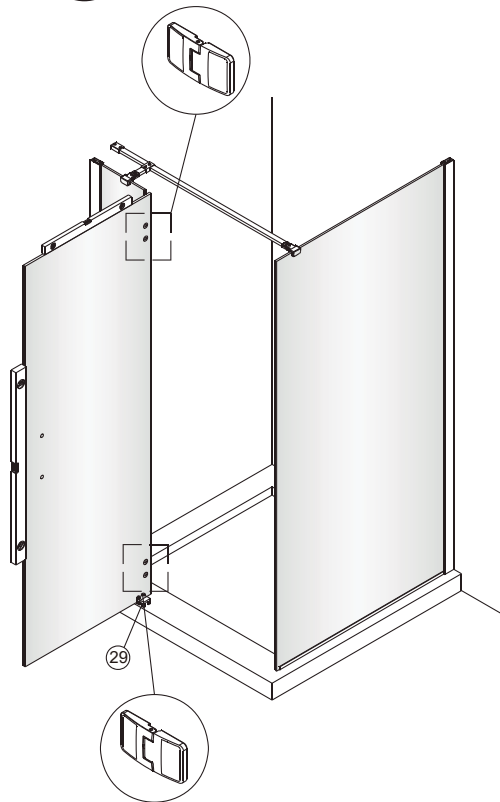
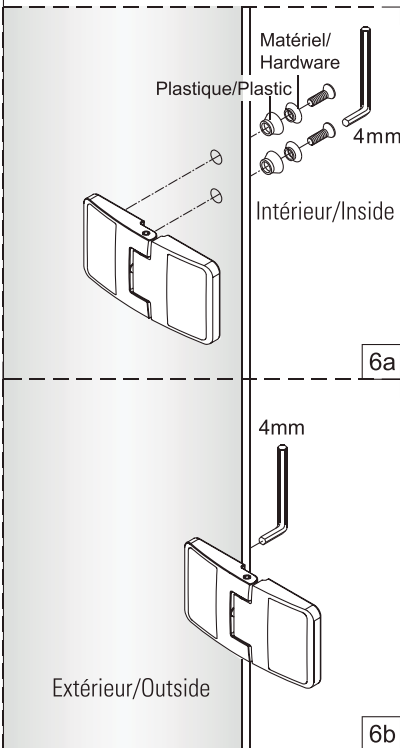




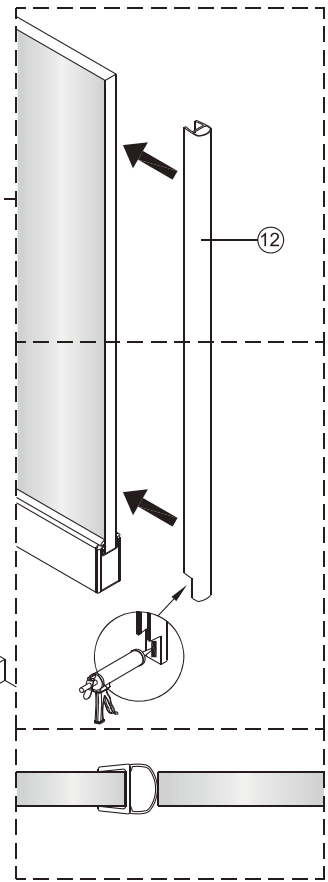
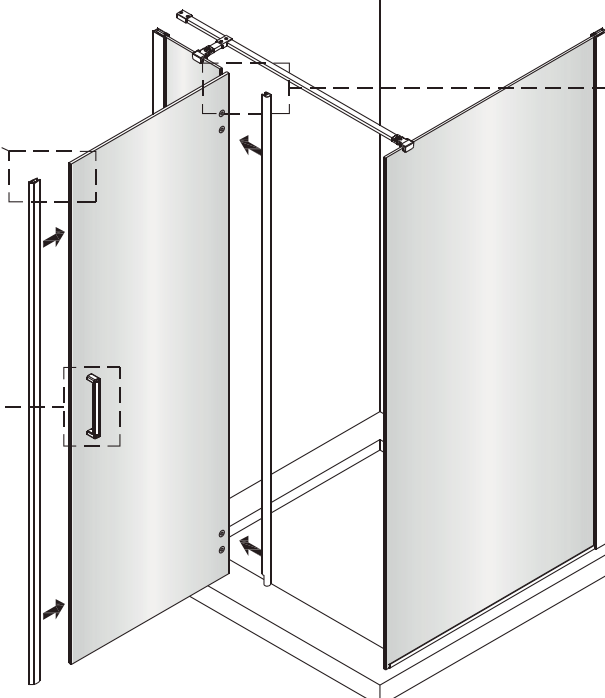
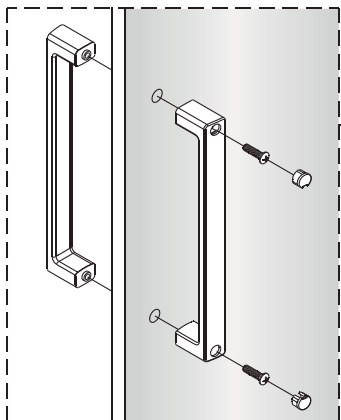
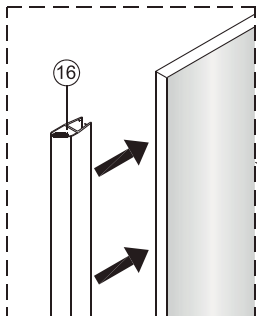
**6**



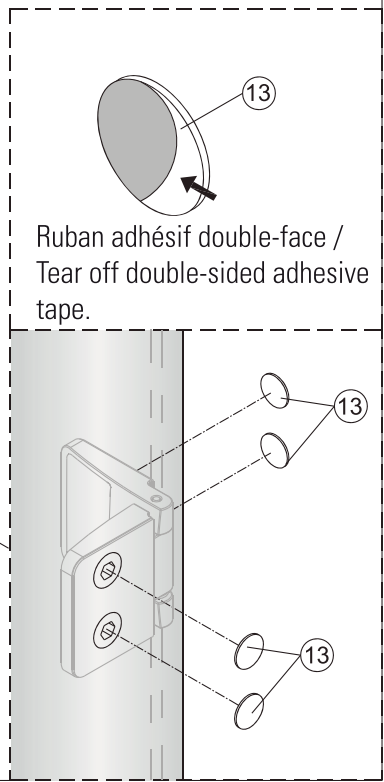
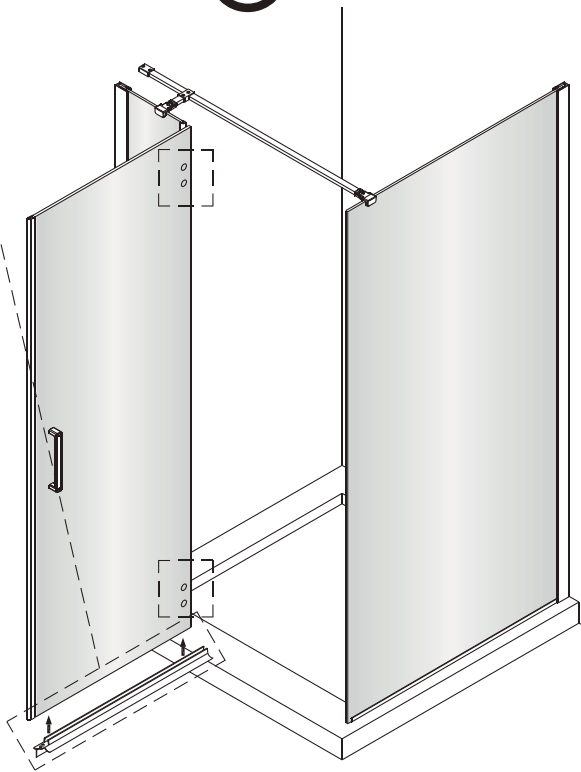
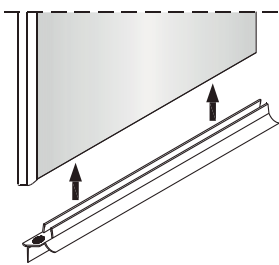
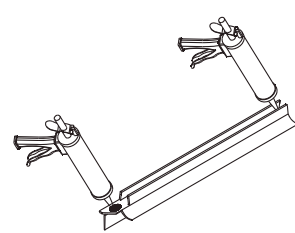
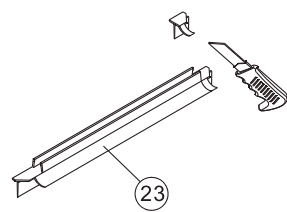
Tighten the screws with 4N.m



7

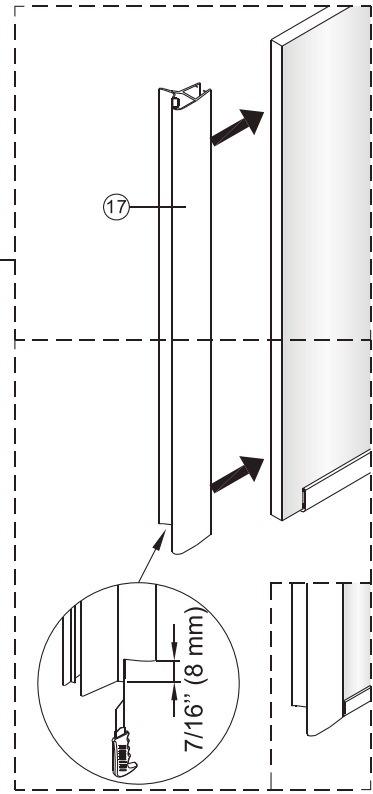
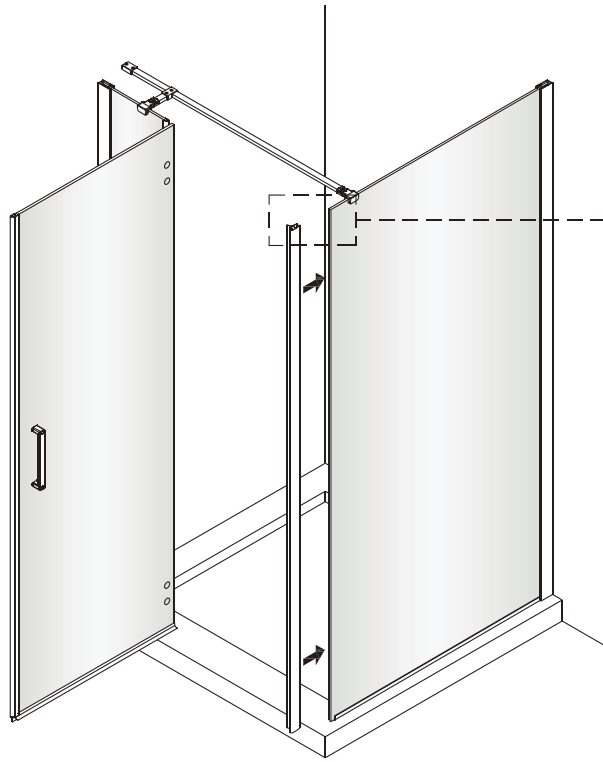


8

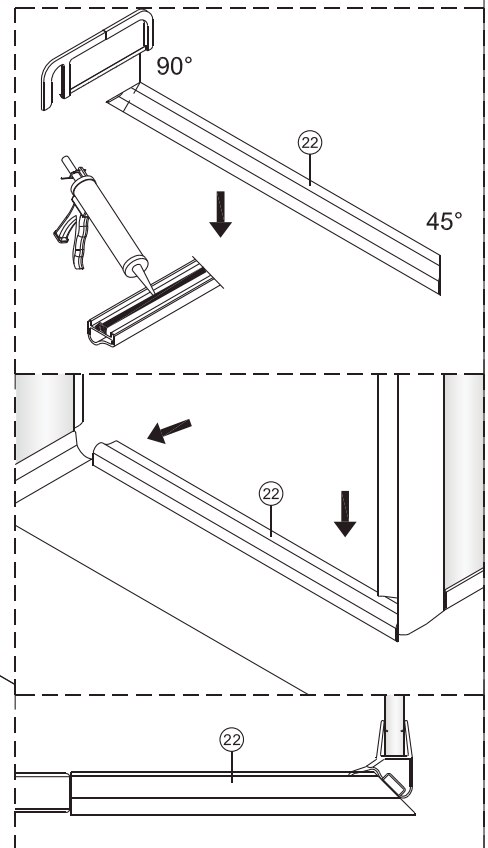
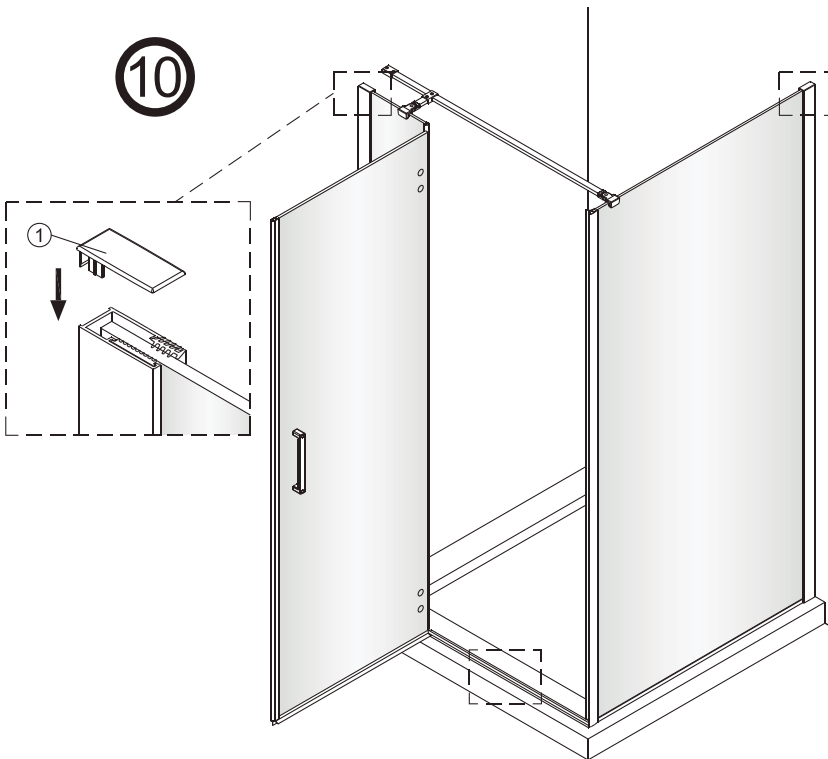


Ruban adhésif double-face /  
Tear off double-sided adhesive  
tape.

9



10



11

