

# SHOWER BASES ZEN 6036

## LEAK-BARRIER

35 7/8" x 59 3/4" x 2 1/2"

### GENERAL OPTIONS

Acrylic Colors: White,  
Biscuit\* and Bone\* (Allow 3 weeks delivery)

### COMPATIBLE DOORS 6032 ALCOVE

**AZELIA 60** (front panels only)

Chrome/Clear

**SELLA 60** (front panels only)

Chrome/Clear

### COMPATIBLE DOORS 6032 CORNER

**AZELIA 3660** (front panels and return glass panel)

Chrome/Clear

**SELLA 3660** (front panels and return glass panel)

Chrome/Clear

### PRODUCT DESCRIPTION:

Contemporary style

Integrated tiling flange

Acrylic thermoformed and reinforced with fiberglass  
Leak-barrier

5 days

### BOX SIZE:

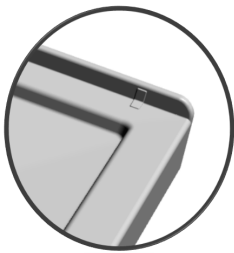
61" x 37" x 5"

### NET WEIGHT:

55 lbs

### GROSS WEIGHT:

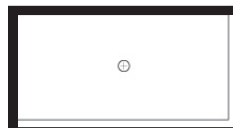
59 lbs



LEAK-BARRIER



21.16316.0082



21.16316.0087



21.16316.0086



Certification **ECORESPONSIBLE**

First manufacturer of bathroom products in North America to be certified ecoresponsible.



Produits Neptune

ENTREPRENEUR

6835, Picard street, Saint-Hyacinthe (Quebec) J2S 1H3

Phone: (450) 773-7058 - Fax: (450) 773-5063

produitsneptune.com

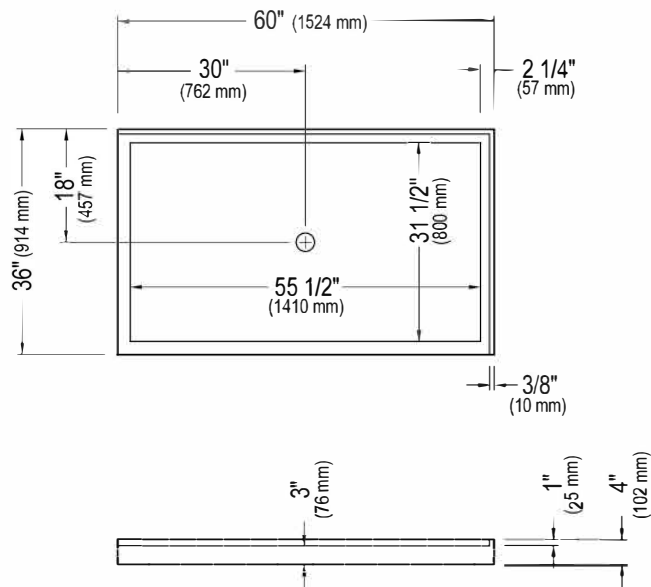
REV: 05-19



Produits Neptune  
ENTREPRENEUR

## ZEN 6036 2BD /60

Shower base

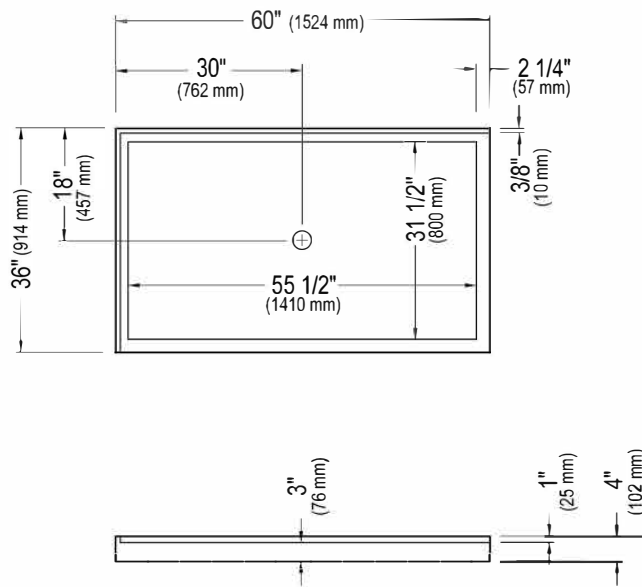


\*All dimensions are approximate and subject to change without notice.  
Please refer to the installation guide before beginning the installation.



## ZEN 6036 2BG /60

Shower base



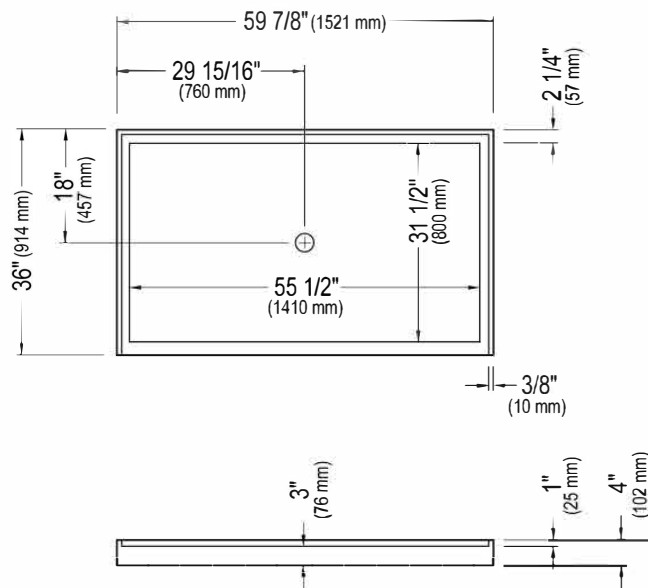
\*All dimensions are approximate and subject to change without notice.  
Please refer to the installation guide before beginning the installation.



Produits Neptune  
ENTREPRENEUR

## ZEN 6036 3B /60

Shower base



\*All dimensions are approximate and subject to change without notice.  
Please refer to the installation guide before beginning the installation.