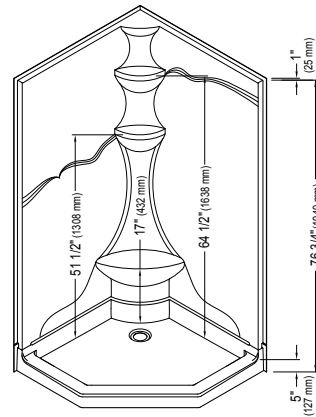
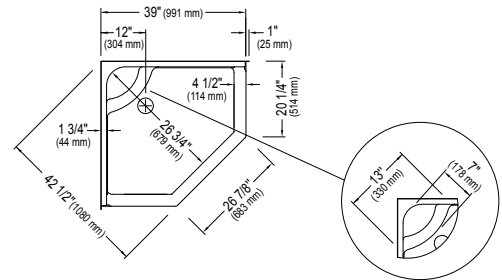




SATURNE NEO-ANGLE SHOWER

39" x 39" x 76 3/4"



PRODUCT DESCRIPTION:

White acrylic
 Contemporary style
 Textured bottom
 In one piece (SA38) or two pieces (SA38-2P)

24-48 hrs

BOX SIZE:

42" x 42" x 77"

NET WEIGHT:

90 lbs

GROSS WEIGHT:

96 lbs

DOORS

OVADA 38 (PIVOT)

Chrome/Clear

E30.1237.337.30

*Customized products, non cancellable, non returnable.



Certification ECORESPONSIBLE
 First manufacturer of bathroom products in North America to be certified ecoresponsible.



Produits Neptune

ENTREPRENEUR

6835, Picard street, Saint-Hyacinthe (Quebec) J2S 1H3
 Phone: (450) 773-7058 - Fax: (450) 773-5063
 produitsneptune.com

04-2018