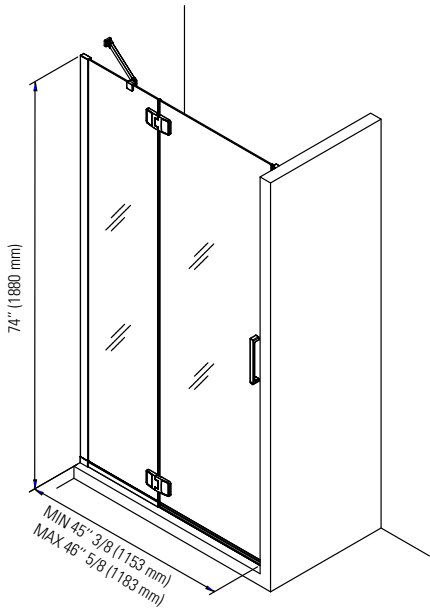


# AZELIA 48 SHOWER DOOR



**PRODUCT DESCRIPTION:**

Contemporary style  
 Front glass panels only  
 6 mm glass (1/4")  
 Door opening 24 3/16"  
 Right or left opening  
 Offered in chrome/clear

**24-48 hrs**

**BOX SIZE:**

77" x 27" x 3"

**NET WEIGHT:**

83 lbs

**GROSS WEIGHT**

83 lbs

\* Produits Neptune applies a cutting-edge protective covering, which repels water and dirt for easy cleaning and increases the lifespan of your shower doors.



**Certification ECORESPONSIBLE**  
 First manufacturer of bathroom products in North America to be certified ecoresponsible.



**Produits Neptune**

ENTREPRENEUR

6835, Picard street, Saint-Hyacinthe (Quebec) J2S 1H3  
 Phone: (450) 773-7058 - Fax: (450) 773-5063  
[produitsneptune.com](http://produitsneptune.com)