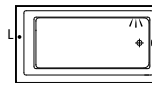
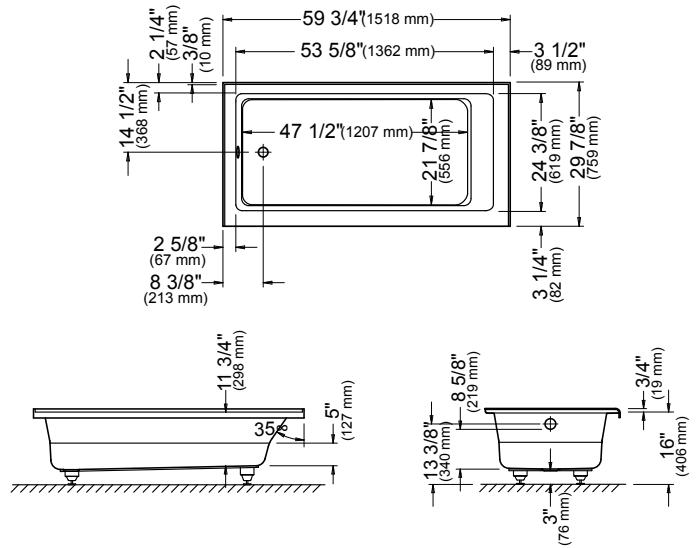


# ASTICA 3060 ADA AFR

WITH INTEGRATED TILING FLANGE



59 3/4" x 29 7/8" x 16" [37 gallons]



Bathtub only left drain E10.21410.4500  
 Bathtub only right drain E10.21410.4000

L : Light control      ≡ : Mood light (option)

## GENERAL SPECIFICATIONS

- Acrylic thermoformed and reinforced with fiberglass
- Gloss finish resistant to stains and discoloration
- Immersion 8 5/8" - Adjustable legs
- Weight: 46 pounds - Textured bottom

## GENERAL OPTIONS

Acrylic colors: white  
 biscuit\* or bone\* (allow 3 weeks for delivery)  
 Available in left or right version (integrated tiling flange)

White mood light: white, biscuit, bone or chrome finish

Handle: white, biscuit, bone or chrome finish 95.7077.106.XX  
 (max. 2) (submit drawing with order)

Drain D105 (20"): chrome finish 62.4020.102.60

Black neck pillow (12" x 4") 18.6000.100.20

DIMENSIONS ARE NOMINAL AND MAY VARY BY ± 1/4" (6MM).  
 WEIGHT MAY VARY BY ± 5 LBS (2,3KG).  
 DRAWING IS NOT SCALE. THESE DIMENSIONS MAY BE CHANGED AT THE MANUFACTURER'S DISCRETION.  
 CONSULT THE INSTALLATION GUIDE FOR MORE INFORMATION.



COMPLIANCE ATTESTATION  
 Standard bathtubs  
 CAN / CSA.B45.5  
 Hydromassage Standards  
 CAN / CSA.B45.10 / CSA.C22.2 / UL-1795



Certification ECORESPONSIBLE  
 First manufacturer of bathroom products in  
 North America to be certified ecoresponsible.



Produits Neptune

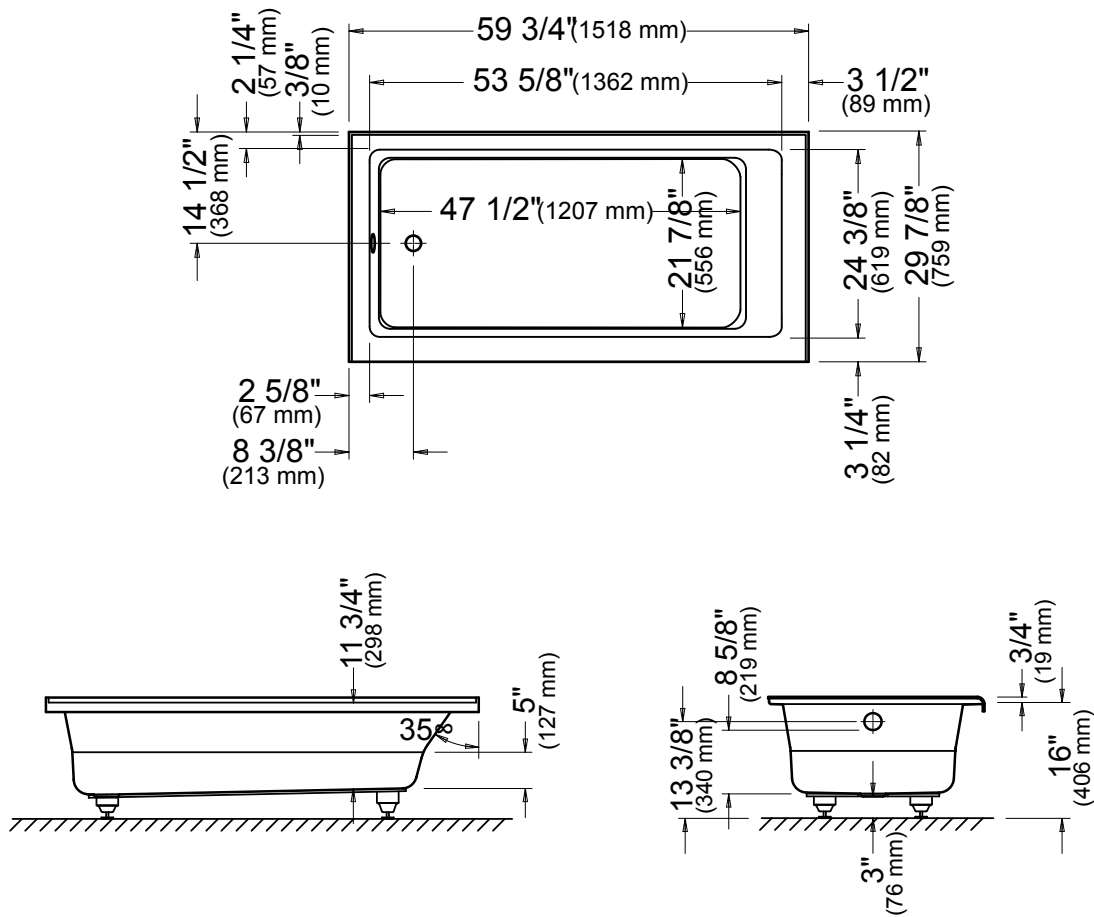
ENTREPRENEUR

6635, Picard street, Saint-Hyacinthe (Quebec) J2S 1H3  
 Phone: (450) 773-7058 - Fax: (450) 773-5063  
 produitsneptune.com



Produits Neptune

### ASTICA 3060 ADA AFR WITH INTEGRATED TILING FLANGE



\*All dimensions are approximate and subject to change without notice.  
Please refer to the installation guide before beginning the installation.

\*\*ADA Compliance 