

# Lead-Free Bronze Ball Valves

**Features:** Silicon Performance Bronze® Alloy • Two-Piece Body • Full Port • Blowout-Proof Stem • Stainless Trim

**Approvals:** MSS SP-110 • NSF/ANSI-61-8 Commercial Hot 180°F (includes annex F and G) and NSF/ANSI-372

**Size range:** 1/4" - 2"

**Pressure rating:** 600 PSI non-shock cold working pressure

**Maximum pressure / temperature:** 100 PSI at 300° F

Lead-free markings:

Double oval in body casting, white handle and blue hang tag



**T-685-66-LF**  
Threaded



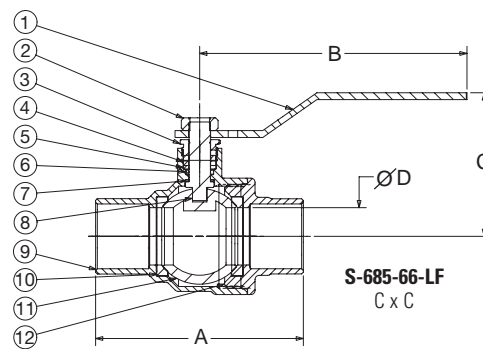
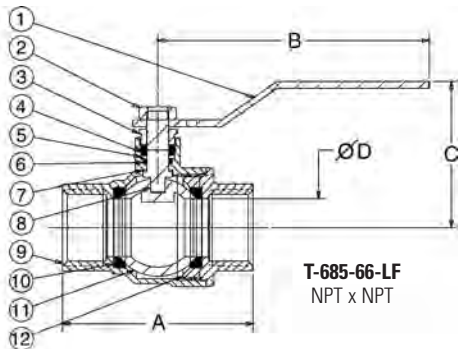
**S-685-66-LF**  
Solder



Handle Markings

## MATERIAL LIST

PART	SPECIFICATION
1. Handle	Steel, Plated
2. Nut, Handle	Steel, Plated
3. Pack Gland	Brass ASTM B16 Alloy C36000
4. Packing, Stem	Virgin PTFE
5. Washer, Flat	Stainless Steel ASTM A240 Alloy S43000
6. O-Ring (Stem Seal)	EPDM
7. Washer, Thrust	Reinforced PTFE
8. Stem	Stainless Steel ASTM A276 Type 316
9. Body	Silicon Bronze ASTM B283 Alloy C69300
10. Seat Ring	Virgin PTFE
11. Ball	Stainless Steel ASTM A276 Type 316 or ASTM A351 Type CF8M
12. End Piece	Silicon Bronze ASTM B283 Alloy C69300



## DIMENSIONS—WEIGHTS—QUANTITIES

		T-685-66-LF		S-685-66-LF																										
		A		B		C		D		E		F		G		H		I		J		K		L		M				
SIZE		In.	mm.	In.	mm.	In.	mm.	In.	mm.	In.	mm.	In.	mm.	In.	mm.	In.	mm.	In.	mm.	In.	mm.	In.	mm.	In.	mm.	In.	mm.			
1/4	8	1.98	50	2.02	51	3.95	100	1.95	50	0.31	8	1.09	28	1.4	36	1.24	31	0.42	11	0.31	8	4.93	125	4.88	124	0.52	0.24	0.50	0.23	24
3/8	10	1.98	50	2.12	54	3.95	100	2.01	51	0.5	13	1.09	28	1.36	35	1.24	31	0.4	10	0.38	10	4.93	125	4.88	124	0.49	0.22	0.46	0.21	24
1/2	15	2.22	56	2.34	59	3.95	100	2.01	51	0.5	13	1	25	1.34	34	1.24	31	0.61	15	0.5	13	5.06	129	4.98	126	0.47	0.21	0.46	0.21	80
3/4	20	2.66	68	3.13	80	4.76	121	2.3	58	0.75	19	1.42	36	1.63	41	1.64	42	0.63	16	0.75	19	6.09	155	6.23	158	0.70	0.32	0.69	0.31	60
1	25	3.27	83	3.77	96	4.76	121	2.56	65	1	25	1.77	45	1.92	49	2.03	52	0.75	19	0.92	23	6.4	163	6.58	167	1.10	0.50	1.12	0.51	40
1-1/4	32	3.56	90	4.21	107	6.75	171	3.07	78	1.25	32	2.01	51	2.25	57	2.38	60	0.76	19	0.97	25	8.51	216	8.72	221	1.39	0.77	1.66	0.75	4
1-1/2	40	3.98	101	4.84	123	6.75	171	3.31	84	1.5	38	2.44	62	2.63	67	2.89	73	0.77	20	1.1	28	8.73	222	9.05	230	2.58	1.17	2.81	1.23	2
2	50	4.52	115	5.83	148	6.75	171	3.56	90	2	51	2.94	75	3.12	79	3.6	91	0.79	20	1.36	35	9.01	229	9.57	243	4.37	1.98	4.62	2.10	8

**WARNING:** This product can expose you to chemicals including lead, which is known to the State of California to cause cancer and birth defects or other reproductive harm. For more information go to [www.P65Warnings.ca.gov](http://www.P65Warnings.ca.gov).

LEAD-FREE: Weighted average lead content ≤ 0.25%