

Lead-Free Three Piece Bronze Ball Valves

Features: Silicon Performance Bronze® Alloy • Three-Piece Body • Full Port • 316SS Trim • Blowout-Proof Stem • Vented Ball

Approvals: MSS SP-110 • NSF/ANSI-61-8 Commercial Hot 180°F (includes annex F and G) and NSF/ANSI-372

Size range: 1/4" - 2-1/2"

Pressure rating: 600 PSI non-shock cold working pressure

Maximum pressure / temperature: 100 PSI at 300° F

Lead-free markings: Double oval in body casting, white handle and blue hang tag



NSF/ANSI 61
NSF/ANSI 372



MATERIAL LIST

PART	SPECIFICATION
1. Handle	Steel, Plated Plastisol Coated
2. Handle Nut	Stainless Steel 300 Series
3. Stem	Stainless Steel ASTM A276 Type 316
4. Threaded Pack Gland	Brass ASTM B16 Alloy C36000
5. Packing	PTFE
6. Thrust Washer	Reinforced PTFE
7. Body Bolts	Zinc Dichromate Plated Steel ASTM A449 Grade 5
8. Body End (2)	Silicon Bronze ASTM B584 Alloy C87850
9. Ball (Vented)	Stainless Steel ASTM A276 Type 316
10. Body	Silicon Bronze ASTM B584 Alloy C87850
11. O-Ring Seal (2)	FKM
12. Seat Ring (2)	PTFE
13. Body Nuts	Zinc Dichromate Plated Steel ASTM A449 Grade 5

Note: valves are static grounded by a grounding washer (not shown).



T-595-Y-66-LF

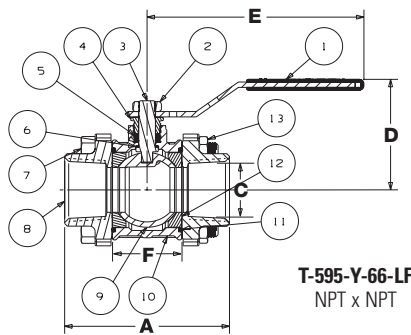
Threaded

S-595-Y-66-LF

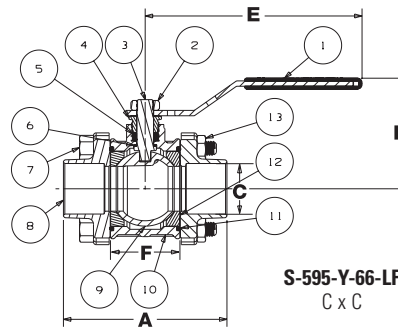
Solder



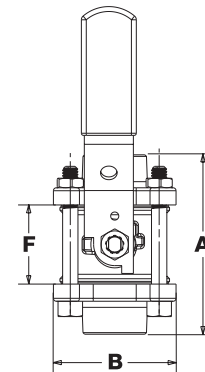
Handle Markings



T-595-Y-66-LF
NPT x NPT



S-595-Y-66-LF
C x C



DIMENSIONS—WEIGHTS—QUANTITIES

Size	T-595-Y-66-LF		S-595-Y-66-LF		Dimensions										T-595-Y-66-LF		S-595-Y-66-LF		Master Ctn. Qty.	
	A	A	B	C	D	E	F	D	E	F	D	E	F	Lbs.	Kg.	Lbs.	Kg.			
In.	mm.	In.	mm.	In.	mm.	In.	mm.	In.	mm.	In.	mm.	In.	mm.	In.	mm.	In.	mm.	In.	mm.	
1/4	8	2.50	64	1.69	43	1.81	46	.38	10	1.69	43	3.91	99	1.13	29	1.03	.47	.89	.40	50
3/8	10	2.50	64	1.81	46	1.81	46	.38	10	1.69	43	3.91	99	1.13	29	.98	.44	.89	.40	50
1/2	15	2.50	64	2.06	52	1.81	46	.50	13	1.69	43	3.91	99	1.13	29	1.03	.47	.89	.40	50
3/4	20	3.00	76	2.94	75	1.94	49	.75	19	2.00	51	4.66	118	1.44	37	1.70	.77	1.59	.72	30
1	25	3.69	94	3.66	93	2.50	64	1.00	25	2.25	57	4.66	118	1.84	47	2.82	1.28	2.55	1.15	20
1 1/4	32	4.09	104	3.91	99	2.69	68	1.25	32	2.75	70	6.69	170	1.97	50	3.96	1.80	3.61	1.64	10
1 1/2	40	4.56	116	4.60	117	3.00	76	1.50	38	2.97	75	6.69	170	2.38	60	5.68	2.57	5.31	2.41	10
2	50	6.16	156	5.78	147	4.00	102	2.00	51	3.63	92	6.69	170	3.06	78	11.40	5.17	10.60	4.81	4
2 1/2	65	6.84	174	6.94	176	5.00	127	2.50	64	4.09	104	8.00	203	4.00	102	21.07	9.56	19.30	8.75	2

WARNING: This product can expose you to chemicals including lead, which is known to the State of California to cause cancer and birth defects or other reproductive harm. For more information go to www.P65Warnings.ca.gov.

LEAD-FREE: Weighted average lead content ≤ 0.25%