

# Lead-Free Bronze Ball Valves

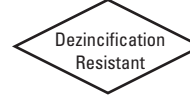
**Features:** Silicon Performance Bronze® Alloy • Two-Piece Body • Full Port • Stainless Trim • 3/4" Hose Connection with Cap and Chain • Blowout-Proof Stem

**Approvals:** MSS SP-110 • NSF/ANSI-61-9 and NSF/ANSI-372

**Size range:** 1/2" & 3/4"

**Pressure rating:** 600 PSI non-shock cold working pressure

Lead-free markings: Double oval in body casting, white handle and blue hang tag

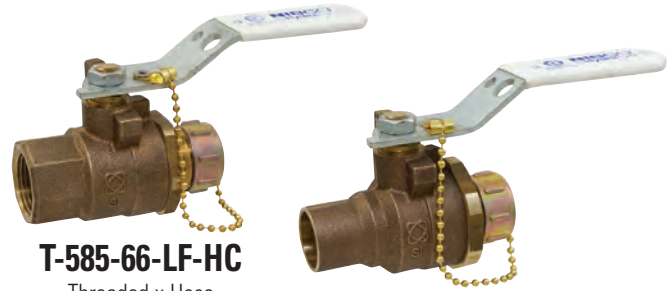


## MATERIAL LIST

| PART                 | SPECIFICATION   |
|----------------------|---|
| 1. Handle Nut        | Steel, Plated   |
| 2. Stem              | Stainless Steel ASTM A 276 Type 316                         |
| 3. Pack Gland        | Brass ASTM B16 Alloy C36000                                 |
| 4. Packing, Stem     | Virgin PTFE   |
| 5. Thrust Washer     | Reinforced PTFE   |
| 6. Handle            | Steel, Plated Plastisol Coated                              |
| 7. Hose Body End     | Silicon Bronze ASTM B371 Alloy C69300                       |
| 8. Seat Ring (2)     | Reinforced PTFE   |
| 9. Ball              | Stainless Steel ASTM A 276 Type 316 or ASTM A 351 Type CF8M |
| 10. Body             | Silicon Bronze ASTM B584 Alloy C87600                       |
| 11. Cap <sup>1</sup> | Die Cast Brass, EPDM Gasket                                 |
| 12. Pop Rivet        | Stainless Steel   |

<sup>1</sup> Cap is for hose end thread protection only. Not to be used for pressure containing purposes.

Note: valves designed to MSS SP 110 with exception of the hose end connection which is not covered by the standard.

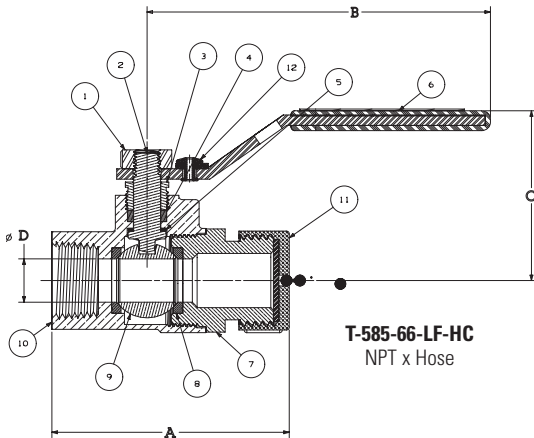


**T-585-66-LF-HC**  
Threaded x Hose

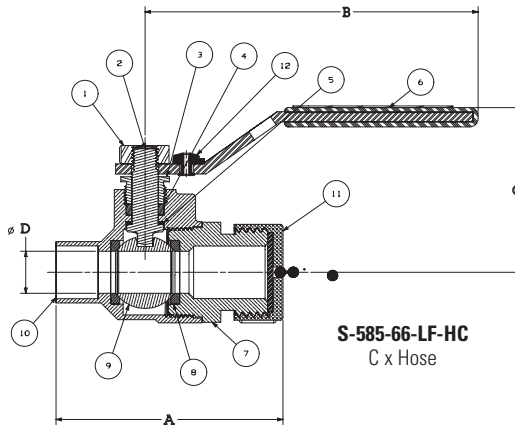
**S-585-66-LF-HC**  
Solder x Hose



Handle Markings



**T-585-66-LF-HC**  
NPT x Hose



**S-585-66-LF-HC**  
C x Hose

### Handle Options:

- Stainless steel lever
- NIB-Seal®
- Locking lever
- Stainless steel locking lever
- Memory stop
- Extended lever w/ memory stop
- Round
- Wing
- Horizontal and vertical chain

## DIMENSIONS—WEIGHTS—QUANTITIES

| SIZE    | A       | B       | C        | D       | E       | F        | G       | Weight   |           | Master Ctn Qty. |
|---------|---------|---------|----------|---------|---------|----------|---------|----------|-----------|-----------------|
|         |         |         |          |         |         |          |         | Thread   | Solder    |                 |
| In. mm. | In. mm. | In. mm. | In. mm.  | In. mm. | In. mm. | In. mm.  | In. mm. | Lbs. Kg. | Lbs. Kg.  |                 |
| 1/2     | 15 2.74 | 70 3.96 | 101 1.96 | 50 0.5  | 13 5.06 | 129 1.19 | 30 0.53 | 13 0.80  | 0.36 0.74 | 0.34 100        |
| 3/4     | 20 3.14 | 80 4.76 | 121 2.28 | 58 0.75 | 19 6.15 | 156 1.71 | 43 0.55 | 14 1.46  | 0.66 1.42 | 0.65 50         |

**WARNING:** This product can expose you to chemicals including lead, which is known to the State of California to cause cancer and birth defects or other reproductive harm. For more information go to [www.P65Warnings.ca.gov](http://www.P65Warnings.ca.gov).

LEAD-FREE: Weighted average lead content ≤ 0.25%