

Lead-Free Bronze Ring Check® Valves

Features: Silicon Performance Bronze® Alloy • Inline Lift Type • Resilient Discs • Spring Actuated

Approvals: Conforms to MSS SP-139 • NSF/ANSI-61-8 Commercial Hot 180°F (includes annex F and G) and NSF/ANSI-372

Size range: 1/2" - 2"

Pressure rating: 250 PSI non-shock cold working pressure

Maximum pressure / temperature: 100 PSI at 300° F

Lead-free marking: Double oval in body casting



NSF/ANSI 61
NSF/ANSI 372



MATERIAL LIST

PART	SPECIFICATION
1. Body	Silicon Bronze ASTM B584 Alloy C87600
2. Stem	Stainless Steel ASTM A582 Alloy S30300
3. Spring	Stainless Steel S31600
4. Disc Holder	Stainless Steel 18-8
5. Disc	PTFE
6. Seat Screw	Stainless Steel 18-8
7. Body End	Silicon Bronze ASTM B584 Alloy C87600



T-480-Y-LF
Threaded



S-480-Y-LF
Solder

DIMENSIONS—WEIGHTS—QUANTITIES

SIZE	A		B		C		T-480-Y-LF		Master	
In. mm.	In.	mm.	In.	mm.	In.	mm.	Lbs.	Kg.	Ctn Qty.	
1/2	15	2.09	53	1.48	38	1.02	26	0.36	0.16	100
3/4	20	2.18	55	1.74	44	1.07	27	0.48	0.22	100
1	25	2.59	66	2.24	57	1.27	32	0.77	0.35	50
1 1/4	32	2.83	72	2.56	65	1.46	37	1.14	0.51	30
1 1/2	40	3.15	80	2.94	75	1.78	45	1.63	0.74	30
2	50	3.71	94	3.60	91	2.32	59	2.27	1.03	10

SIZE	A		B		C		S-480-Y-LF		Master	
In. mm.	In.	mm.	In.	mm.	In.	mm.	Lbs.	Kg.	Ctn Qty.	
1/2	15	2.05	52	1.48	38	1.05	27	0.4	0.18	100
3/4	20	2.62	67	1.74	44	1.13	29	0.52	0.24	100
1	25	3.26	83	2.24	57	1.44	37	0.85	0.39	50
1 1/4	32	3.51	89	2.56	65	1.57	40	1.28	0.58	30
1 1/2	40	4.08	104	2.94	75	1.90	48	1.75	0.79	30
2	50	4.90	124	3.60	91	2.22	56	2.7	1.23	10

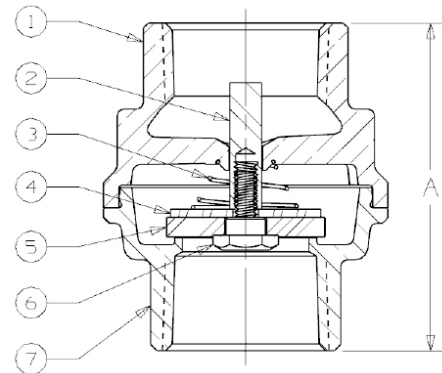
Sizes 1/2" thru 2" require 1/2 pound pressure to open.

NIBCO check valves may be installed in both horizontal and vertical lines with upward flow or in any intermediate position. They will operate satisfactorily in a declining plane (no more than 15°). Install check valves as far from pump discharge or line direction change as possible and at a minimum length of 5 times the pipe diameter.

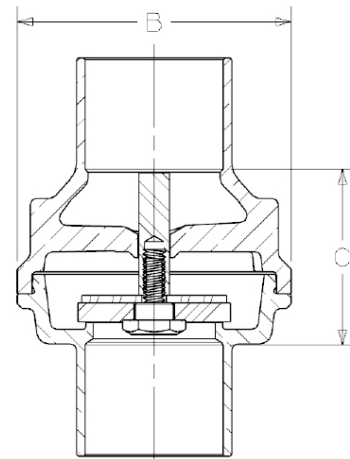
Do not use for reciprocating air compressor service.

WARNING: This product can expose you to chemicals including lead, which is known to the State of California to cause cancer and birth defects or other reproductive harm. For more information go to www.P65Warnings.ca.gov.

LEAD-FREE: Weighted average lead content ≤ 0.25%



T-480-Y-LF
NPT x NPT



S-480-Y-LF
C x C