

# NIBCO® Press System Bronze Ball Valves

Two-Piece Body • Full Port • Bronze Trim • Blowout-Proof Stem • Press Ends Leak Detection

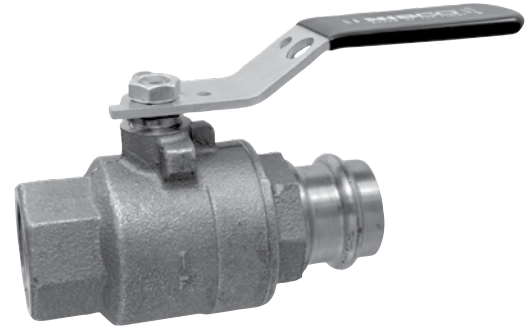
**250 PSI/17.2 bar non-shock cold working pressure**  
**250°F maximum operating temperature**

CONFORMS TO MSS SP-110



## MATERIAL LIST

PART	SPECIFICATION
1. Handle Nut	Zinc Plated Steel
2. Stem	Silicon Bronze ASTM B371 Alloy C69300 or ASTM B371 Alloy C69430
3. Pack Gland	Brass ASTM B16 Alloy C36000
4. Packing, Stem	PTFE
5. Thrust Washer	Reinforced PTFE
6. Handle Assembly	Zinc Plated Steel with Plastisol Coating
7. Body End	Bronze ASTM B584 Alloy C84400
8. Seat Ring (2)	Reinforced PTFE
9. Ball	Brass ASTM B16 Alloy C36000 or ASTM B283 Alloy C37700 (Chrome/Nickel Plated)
10. Body	Bronze ASTM B584 Alloy C84400
11. Boss seal o-ring	EPDM
12. O-Ring	EPDM
13. Press End Adapter	Wrot Copper ASTM B75 Alloy C12200

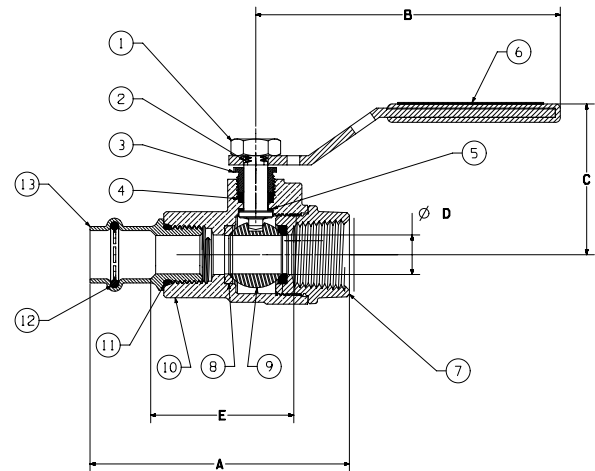


### TPC-585-70

Thread x Press  
Female

#### Handle Options:

- Stainless steel lever
- NIB-SEAL®
- Locking lever
- Stainless steel locking lever
- Memory stop
- Extended lever w/ memory stop
- Round
- Wing
- Horizontal and vertical chain



TPC-585-70  
NPT x P

## DIMENSIONS—WEIGHTS—QUANTITIES

SIZE	Dimensions					Weight		Master Ctn. Qty.						
	A	B	C	D	E	Lbs.	Kg.							
1/2"	15	3.38	86	3.96	101	1.96	50	0.50	13	1.86	47	0.85	0.39	50
3/4"	20	4.08	104	4.76	121	2.28	58	0.75	19	2.42	61	1.50	0.68	30
1"	25	4.44	113	4.76	121	2.48	63	1.00	25	2.71	69	2.00	0.91	20
1¼"	32	5.46	139	6.75	171	3.09	78	1.25	32	3.67	93	3.55	1.61	12
1½"	40	6.27	159	6.75	171	3.32	84	1.50	38	4.15	105	4.90	2.22	6
2"	50	6.99	176	6.75	171	3.56	90	2.00	51	4.64	118	6.90	3.13	6

NIBCO Press System ball valves are designed to meet MSS SP-110 with the exception of the end connection. Ball valves are down-rated from 600 PSI CWP to 250 PSI CWP to match the NIBCO Press System. Male and female press-to-connect ends are new technology not yet covered in the current edition of this specification.

**WARNING:** This product can expose you to chemicals including lead, which is known to the State of California to cause cancer and birth defects or other reproductive harm. For more information go to [www.P65Warnings.ca.gov](http://www.P65Warnings.ca.gov).

Visit our website for the most current information.