

Brass Check Valves

Brass Body • Swing Type Check

200 PSI/14 Bar Non-Shock Cold Working Pressure

MATERIAL LIST

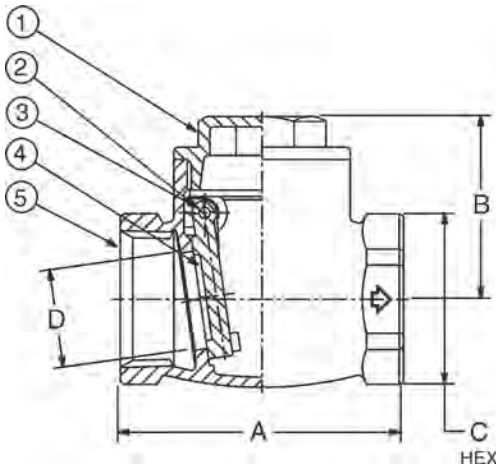
PART	SPECIFICATION
1. Bonnet	Bronze ASTM B 584 Alloy C85700
2. Plug	Bronze ASTM B 16 Alloy C36000
3. Pin	Brass ASTM B 16 Alloy C37700
4. Disc	Brass ASTM B 124 Alloy C37700
5. Body	Brass ASTM B 584 Alloy C85700 or Alloy C83600



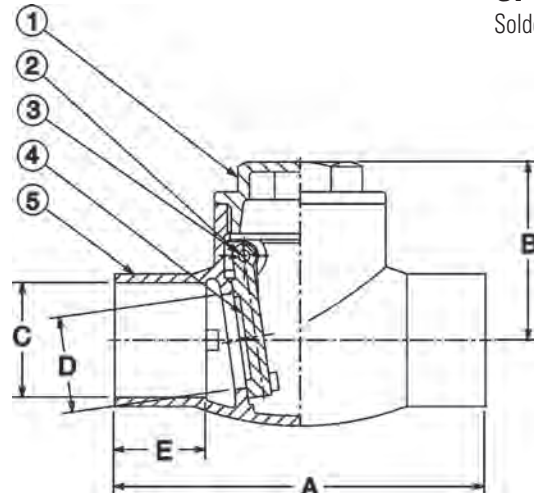
TI-3
Threaded



SI-3
Solder



TI-3
NPT to NPT



SI-3
Cup x Cup

DIMENSIONS—WEIGHTS

Size	Dimensions																		WEIGHT						
	TI-3		SI-3		TI-3		SI-3		TI-3		SI-3		TI-3		SI-3		SI-3		TI-3		SI-3				
	A	A	B	B	C	C	D	D	E	A	A	B	B	C	C	D	D	E	A	A	B	B	Lbs.	Kg.	Lbs.
1/2	15	2.05	52	2.13	54	1.50	38	1.50	38	1.00	25	0.63	16	0.52	13	0.52	13	0.50	13	0.46	0.21	0.46	0.21		
3/4	20	2.32	59	2.99	76	1.57	40	1.57	40	1.22	31	0.88	22	0.70	18	0.70	18	0.75	19	0.66	0.30	0.66	0.30		
1	25	2.72	69	3.66	93	1.77	45	1.77	45	1.50	38	1.13	29	0.94	24	0.94	24	0.91	23	0.92	0.42	0.92	0.42		
1 1/4	32	3.11	79	4.09	104	2.01	51	2.01	51	1.85	47	1.38	35	1.24	32	1.24	32	0.97	25	1.60	0.73	1.60	0.73		
1 1/2	40	3.50	89	4.57	116	2.17	55	2.17	55	2.11	54	1.63	41	1.42	36	1.42	36	1.09	28	1.79	0.81	1.79	0.81		
2	50	4.29	109	5.51	140	2.64	67	2.64	67	2.60	66	2.13	54	1.81	46	1.81	46	1.34	34	2.87	1.30	2.87	1.30		
2 1/2	65	5.31	135	—	—	3.31	84	—	—	3.23	82	—	—	2.26	57	—	—	—	—	5.29	2.40	—	—		
3	80	6.30	160	—	—	3.78	96	—	—	3.78	96	—	—	2.70	69	—	—	—	—	8.82	4.01	—	—		
4	100	7.38	190	—	—	4.45	113	—	—	4.80	122	—	—	3.78	96	—	—	—	—	13.23	6.01	—	—		

WARNING: This product can expose you to chemicals including lead, which is known to the State of California to cause cancer and birth defects or other reproductive harm. For more information go to www.P65Warnings.ca.gov.

NOT FOR USE WITH POTABLE DRINKING WATER APPLICATIONS AFTER JANUARY 3, 2014.