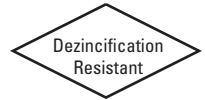


Bronze Ball Valves

Three-Piece Body • Full Port ¼"-2" • UL Listed for Flammable Liquids and LP Gas • Blowout-Proof Stem

175 PSI/12.1 bar non-shock LP gas per UL842

CONFORMS TO MSS SP-110 • UL842



MATERIAL LIST

PART	SPECIFICATION
1. Handle Nut	Zinc Plated Steel
2. Handle	Zinc Plated Steel Clear Chromate Plastisol Coated
3. Threaded Pack Gland	Brass ASTM B 16 Alloy C36000
4. Stem	Silicon Bronze ASTM B 371 Alloy C69400 or ASTM B 99 Alloy C65100
5. Body	Bronze ASTM B 584 Alloy C84400
6. Packing	PTFE
7. Body End (2)	Bronze ASTM B 584 Alloy C84400
8. O-Ring Seal (2)	Fluorocarbon Rubber
9. Seat Ring (2)	PTFE
10. Ball	Brass ASTM B 124 Alloy C37700 or ASTM B16 Alloy C36000 EACH with Hard Chrome Plate
11. Thrust Washer	Reinforced PTFE
12. Body Bolts	Zinc Dichromate Plated Steel ASTM A 449 Grade 5
13. Body Nuts	Zinc Dichromate Plated Steel ASTM A 449 Grade 5

Note: valves are static grounded by a grounding washer. (not shown)

UL Listed For:

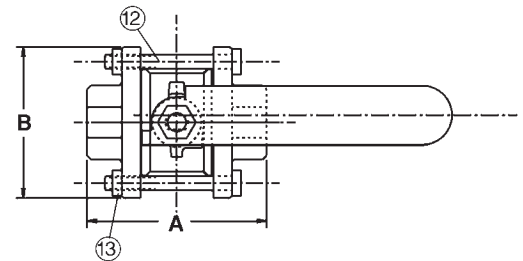
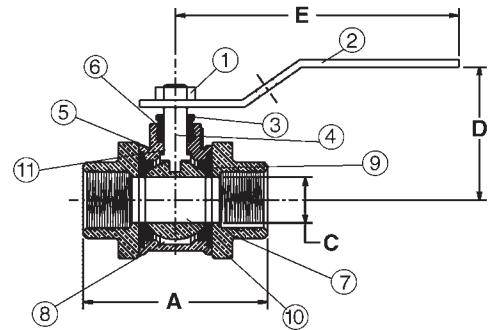
YQNZ Compressed gas shut-off
YRPV Gas shut-off
YRBX Flammable liquid shut-off
MHKZ Manual valves

Service

A - Air or non-toxic, non-flammable gas
G - City gas supplied by public utilities
GA - Gasoline
LP - Liquefied petroleum gas, 175 PSI max.
02 - No. 1 and 2 fuel oil
04 - No. 4 fuel oil
05 - No. 5 fuel oil
06 - No. 6 fuel oil



T-595-Y-UL
Threaded



T-595-Y-UL
NPT x NPT

DIMENSIONS—WEIGHTS—QUANTITIES

Size	Dimensions						T-595-Y-UL	Master						
	A	B	C	D	E	Lbs.			Kg.	Ctn.	Qty.			
¼	8	2.50	64	1.81	46	.38	10	1.69	43	3.90	99	.94	.43	50
⅜	10	2.50	64	1.81	46	.38	10	1.69	43	3.90	99	.94	.43	50
½	15	2.50	64	1.81	46	.50	13	1.69	43	3.90	99	1.01	.47	50
¾	20	3.00	76	1.94	49	.75	19	2.00	51	4.66	118	1.73	.79	30
1	25	3.69	94	2.50	64	1.00	25	2.25	57	4.66	118	2.75	1.25	20
1¼	32	4.09	104	2.69	68	1.25	32	2.75	70	6.69	170	3.90	1.77	10
1½	40	4.56	116	3.00	76	1.50	38	2.97	75	6.69	170	5.50	2.49	10
2	50	6.16	156	4.00	102	2.00	51	3.63	92	6.69	170	10.27	4.66	4

WARNING: This product can expose you to chemicals including lead, which is known to the State of California to cause cancer and birth defects or other reproductive harm. For more information go to www.P65Warnings.ca.gov.

Visit our website for the most current information.