

# Stainless Steel Ball Valves

Two-Piece Body • Full Port • Blowout-Proof Stem •  
316 SS Trim • Cast Mounting Pad • Vented Ball

**1000 PSI/69 bar non-shock cold working pressure\***

CONFORMS TO MSS SP-110

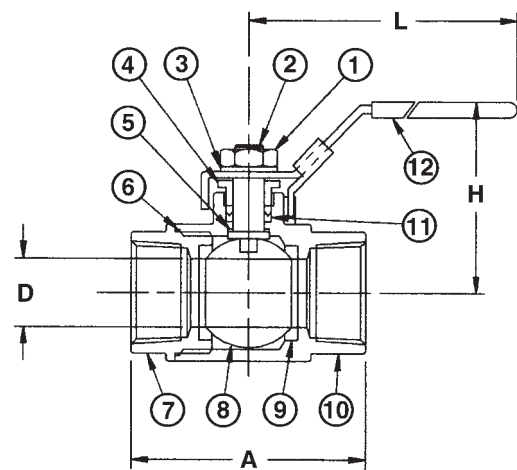
## MATERIAL LIST

PART	SPECIFICATION
1. Handle Nut	Stainless Steel ASTM A 276 Type 304
2. Stem	Stainless Steel ASTM A 276 Type 316
3. Spring Washer	Stainless Steel 304
4. Threaded Pack Gland	Stainless Steel ASTM A 276 Type 316
5. Thrust Washer	Carbon Filled PTFE
6. Gasket	PTFE
7. Body End Piece	Stainless Steel ASTM A 351 Type CF8M
8. Ball (Vented)	Stainless Steel ASTM A 276 Type 316 or ASTM A 351 Type CF8M
9. Seat (2)	Reinforced PTFE
10. Body	Stainless Steel ASTM A 351 Type CF8M
11. Stem Packing (2)	Carbon Filled PTFE
12. Locking Handle	Stainless Steel ASTM A 240 Type 304

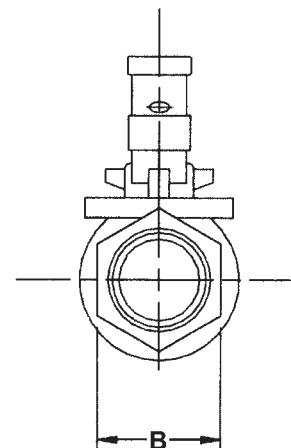
**NOTE:** valves are static grounded by thrust washer and packing.  
Valves tested in accordance with ASME B16.34



**T-585-S6-R-66-LL**  
Threaded



**T-585-S6-R-66-LL**  
NPT x NPT



## DIMENSIONS—WEIGHTS—QUANTITIES

Size	Dimensions						T-585-S6-R-66-LL		Master Ctn.	Qty.
	A	B	D	H	L	Lbs.	Kg.			
In. mm.	In. mm.	In. mm.	In. mm.	In. mm.	In. mm.					
¼ 8	2.21 56	.83 21	.43 11	2.20 56	4.21 107	.59	.27	10		
⅜ 10	2.21 56	.83 21	.43 11	2.20 56	4.21 107	.56	.25	10		
½ 15	2.60 66	1.02 26	.56 14	2.30 58	4.21 107	.75	.34	10		
¾ 20	2.99 76	1.28 33	.81 21	2.79 71	5.73 146	1.47	.67	10		
1 25	3.54 90	1.56 40	1.00 25	2.96 75	5.73 146	2.21	1.00	10		
1¼ 32	3.94 100	1.97 50	1.25 35	3.56 90	7.45 189	3.42	1.55	5		
1½ 40	4.41 112	2.20 66	1.50 38	3.84 98	7.45 189	5.20	2.36	5		
2 50	5.00 127	2.76 69	2.00 50	4.24 108	8.08 205	7.99	3.63	5		

◆ For detailed operating pressure, refer to pressure temperature chart on pages 71 and 72.

Visit our website for the most current information.