

Carbon Steel Ball Valves

One-Piece Bar Stock Body • Blowout-Proof Stem •
CS Trim • Vented Ball

2000 PSI/138 bar non-shock cold working pressure (1/2"-1")
1500 PSI/103 bar non-shock cold working pressure (1 1/4"-2")♦

CONFORMS TO MSS SP-110

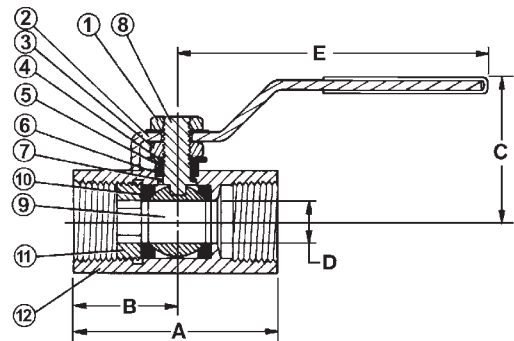
MATERIAL LIST

PART	SPECIFICATION
1. Handle Nut	Carbon Steel ASTM A 283 Zinc Plated
2. Handle	Carbon Steel ASTM A 283 Zinc Plated
3. Packing Nut	Carbon Steel ASTM A 283 Zinc Plated
4. Belleville Washer (2)	Carbon Steel Black Oxide ASTM A 686
5. Pack Gland	Stainless Steel ASTM A 240 Type 304
6. Stem Packing	Reinforced PTFE
7. Thrust Washer	Reinforced PTFE
8. Stem	Carbon Steel ASTM A 108 Type 1045
9. Ball (Vented) Chrome Plated	Carbon Steel ASTM 108 Type 1015/1045
10. Seat Ring (2)	Reinforced PTFE
11. Body Insert	Carbon Steel ASTM A 108 Type 1018 Phosphate Coated
12. Body	Carbon Steel ASTM A 108 Type 1018 Phosphate Coated

NOTE: valves are not available static grounded.



T-570-CS-R-25
Threaded



T-570-CS-R-25
NPT x NPT

DIMENSIONS—WEIGHTS—QUANTITIES

Size	Dimensions										T-570-CS-R-25		Master Ctn.	Qty.
	A	B	C	D	E	Lbs.	Kg.							
In.	mm.	In.	mm.	In.	mm.	In.	mm.	In.	mm.	In.	mm.			
1/2	15	2.19	56	1.10	28	1.63	41	.35	9	4.17	102	.55	.25	80
3/4	20	2.63	67	1.32	34	1.75	44	.47	12	4.17	102	.77	.35	80
1	25	3.15	80	1.58	40	2.13	54	.62	16	5.83	145	1.60	.73	40
1 1/4	32	3.62	92	1.81	46	2.31	59	.81	21	5.83	145	2.35	1.07	8
1 1/2	40	4.00	102	2.00	51	2.75	70	1.00	25	7.00	175	3.47	1.58	8
2	50	4.50	114	2.25	57	3.00	76	1.25	32	7.24	175	5.50	2.50	8

♦For detailed operating pressure, refer to pressure temperature chart on pages 71 and 72.

Visit our website for the most current information.